

# LMP8276

## High Common Mode, Gain of 20, Bidirectional Precision Voltage Difference Amplifier

### General Description

The LMP8276 is a fixed gain differential amplifier with a  $-2V$  to  $27V$  input common mode voltage range and a supply voltage range of  $4.75V$  to  $5.5V$ . The LMP8276 is part of the LMP™ precision amplifier family which will detect, amplify and filter small differential signals in the presence of high common mode voltages. The gain is fixed at 20 and is adequate to drive an ADC to full scale in most cases. This fixed gain is achieved in two separate stages, a pre-amplifier with gain of +10 and a second stage amplifier with a gain of +2. The internal signal path is brought out on two pins that provide a connection for a filter network.

The LMP8276 will operate with reduced specifications over the extended common mode input voltage range of  $-2V$  to  $36V$ . This feature makes the device suitable for applications with load dump in automotive systems.

The mid-rail offset adjustment pin enables the user to utilize this device for bidirectional current sensing. This is achieved by adjusting an externally set voltage reference. Accurate bidirectional load current measurements are achieved when monitoring the output with respect to this reference voltage.

### Features

Typical Values,  $T_A = 25^\circ C$

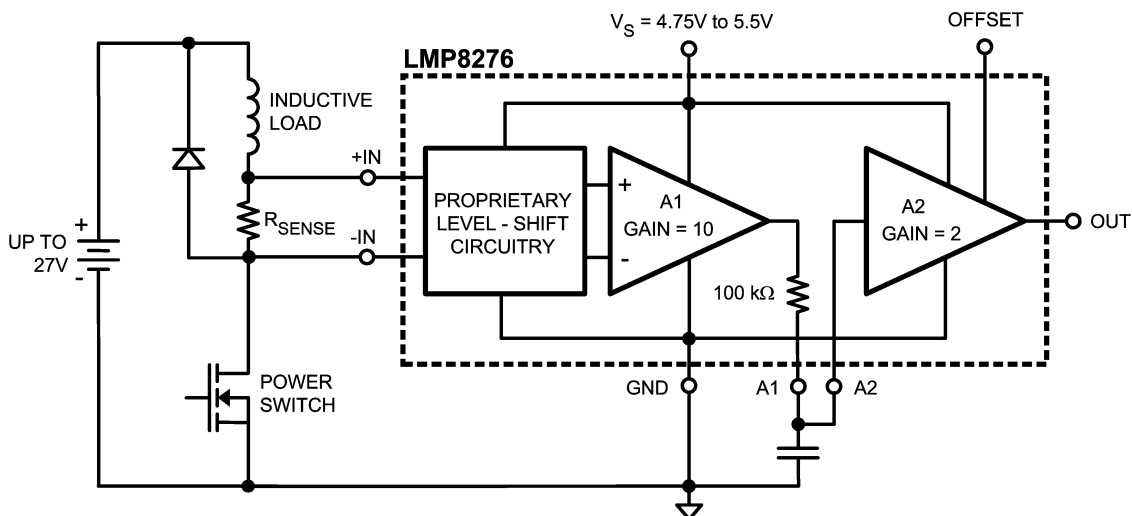
- Bidirectional current sense capability
- Input offset Voltage  $\pm 2$  mV max
- TCVo's  $\pm 30$   $\mu V/^\circ C$  max
- CMRR 80 dB Min
- Extended CMVR  $-2V$  to  $36V$
- Output voltage swing Rail-to-Rail
- Bandwidth 80 kHz
- Operating temperature range (ambient)  $-40^\circ C$  to  $125^\circ C$
- Supply voltage  $4.75V$  to  $5.5V$
- Supply current 1 mA

### Applications

- Fuel injection control
- High and low side driver configuration current sensing
- Power management systems

### Typical Application

Typical Application: Low Side Current Sensing



20130801

LMP™ is a trademark of National Semiconductor Corporation.

**Absolute Maximum Ratings** (Note 1)

If Military/Aerospace specified devices are required, please contact the National Semiconductor Sales Office/Distributors for availability and specifications.

ESD Tolerance (Note 2)	
Human Body Model	
For input pins only	±4000V
For All other pins	±2000V
Machine Model	200V
Supply Voltage ( $V_S$ - GND)	5.75V
Voltage on +IN and -IN	-5V to 42V
Transient (400 ms)	-7V to 45V

Storage Temperature Range	-65°C to +150°C
Junction Temperature (Note 3)	+150°C max
Soldering Information	
Infrared or Convection (20 sec)	235°C
Wave Soldering Lead Temp. (10 sec)	260°C

**Operating Ratings** (Note 1)

Temperature Range	
Packaged Devices (Note 3)	-40°C to +125°C
Supply Voltage ( $V_S$ -GND)	4.75V to 5.5V
Package Thermal Resistance ( $\theta_{JA}$ (Note 3))	
8-Pin SOIC	190°C/W

**5V Electrical Characteristics** (Note 4)

Unless otherwise specified, all limits guaranteed for  $T_A = 25^\circ\text{C}$ ,  $V_S = 5\text{V}$ , GND= 0,  $-2\text{V} \leq V_{CM} \leq 27\text{V}$ ,  $R_L = \text{OPEN}$ . **Boldface** limits apply at the temperature extremes.

Symbol	Parameter	Conditions		Min	Typ (Note 5)	Max	Units
$V_{OS}$	Input Offset Voltage	$V_{CM} = V_S/2$			±0.25	±2.0	mV
$TC V_{OS}$	Input Offset Voltage Drift	$V_{CM} = V_S/2$	$25^\circ\text{C} \leq T_A \leq 125^\circ\text{C}$		±20	<b>±30</b>	$\mu\text{V}/^\circ\text{C}$
			$-40^\circ\text{C} \leq T_A \leq 25^\circ\text{C}$		±20	<b>±35</b>	
A2 $I_B$	Input Bias Current of A2	(Note 6)				<b>±20</b>	nA
$I_S$	Supply Current				1.0	1.2 <b>1.4</b>	mA
$R_{CM}$	Input impedance Common Mode			<b>160</b>	200	<b>240</b>	k $\Omega$
$R_{DM}$	Input impedance Differential Mode			<b>320</b>	400	<b>480</b>	k $\Omega$
CMVR	Input Common-Mode Voltage Range			<b>-2</b>		<b>+27</b>	V
ECMVR	Extended Common-Mode Voltage Range			-2		36	V
DC CMRR	DC Common Mode Rejection Ratio	$0^\circ\text{C} \leq T_A \leq 125^\circ\text{C}$	$-2\text{V} \leq V_{CM} \leq 27\text{V}$ $-2\text{V} \leq V_{CM} \leq 36\text{V}$	<b>80</b> <b>60</b>	103		dB
		$-40^\circ\text{C} \leq T_A \leq 0^\circ\text{C}$	$-2\text{V} \leq V_{CM} \leq 27\text{V}$ $-2\text{V} \leq V_{CM} \leq 36\text{V}$	<b>77</b> <b>60</b>			
AC CMRR	AC Common Mode Rejection Ratio (Note 7)	$-2\text{V} \leq V_{CM} \leq 27\text{V}$		f = 1 kHz			dB
				f = 10 kHz		78	
PSRR	Power Supply Rejection Ratio	$4.75\text{V} \leq V_S \leq 5.5\text{V}$		<b>70</b>	80		dB
$R_{F-INT}$	Filter Resistor			<b>97</b>	100	<b>103</b>	k $\Omega$
$TCR_{F-INT}$	Filter Resistor Drift				20		ppm/ $^\circ\text{C}$
	Midscale Offset Scaling Accuracy (Pin 7)					1	%
$A_V$	Total Gain			19.8	20	20.2	V/V
	Gain Drift					<b>±25</b>	ppm/ $^\circ\text{C}$
$A_{V1}$	A1 Gain			9.9	10	10.1	V/V
$A_{V2}$	A2 Gain			1.98	2	2.02	V/V
A1 $V_{OUT}$	A1 Output Voltage Swing			VOL	0.004	0.001	V
				VOH	4.80	4.95	
A2 $V_{OUT}$	A2 Output Voltage Swing (Notes 8, 9)	$R_L = 100\text{ k}\Omega$ on Output	VOL		0.007	0.02	V
			VOH	4.80	4.99		
		$R_L = 10\text{ k}\Omega$ on Output	VOL		0.03		V
			VOH		4.95		

## 5V Electrical Characteristics (Note 4) (Continued)

Unless otherwise specified, all limits guaranteed for  $T_A = 25^\circ\text{C}$ ,  $V_S = 5\text{V}$ ,  $\text{GND} = 0$ ,  $-2\text{V} \leq V_{\text{CM}} \leq 27\text{V}$ ,  $R_L = \text{OPEN}$ . **Boldface** limits apply at the temperature extremes.

Symbol	Parameter	Conditions	Min	Typ (Note 5)	Max	Units
SR	Slew Rate (Note 10)			0.7		V/ $\mu\text{s}$
BW	Bandwidth			80		kHz
Noise	0.1 Hz to 10 Hz			5.7		$\mu\text{Vpp}$
	Spectral Density	$f = 1\text{kHz}$		452		$\frac{\text{nV}}{\sqrt{\text{Hz}}}$

**Note 1:** Absolute Maximum Ratings indicate limits beyond which damage to the device may occur. Operating Ratings indicate conditions for which the device is intended to be functional, but specific performance is not guaranteed. For guaranteed specifications and the test conditions, see the Electrical Characteristics Tables.

**Note 2:** Human Body Model, 1.5 k $\Omega$  in series with 100 pF. Machine Model: 0 $\Omega$  in series with 200 pF.

**Note 3:** The maximum power dissipation is a function of  $T_{\text{J(MAX)}}$ ,  $\theta_{\text{JA}}$ , and  $T_A$ . The maximum allowable power dissipation at any ambient temperature is  $P_D = (T_{\text{J(MAX)}} - T_A) / \theta_{\text{JA}}$ . All numbers apply for packages soldered directly onto a PC board.

**Note 4:** Electrical table values apply only for factory testing conditions at the temperature indicated. Factory testing conditions result in very limited self-heating of the device.

**Note 5:** Typical values represent the parametric norm at the time of characterization.

**Note 6:** Positive current corresponds to current flowing into the device.

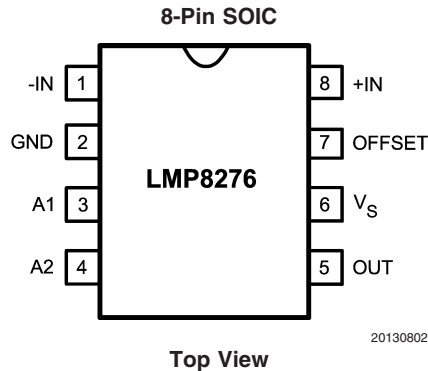
**Note 7:** AC Common Mode Signal is a 24  $V_{\text{PP}}$  sine-wave (0V to 24V) at the given frequency.

**Note 8:** For VOL,  $R_L$  is connected to  $V_S$  and for VOH,  $R_L$  is connected to GND.

**Note 9:** For this test input is driven from A1 stage.

**Note 10:** Slew rate is the average of the rising and falling slew rates.

## Connection Diagram

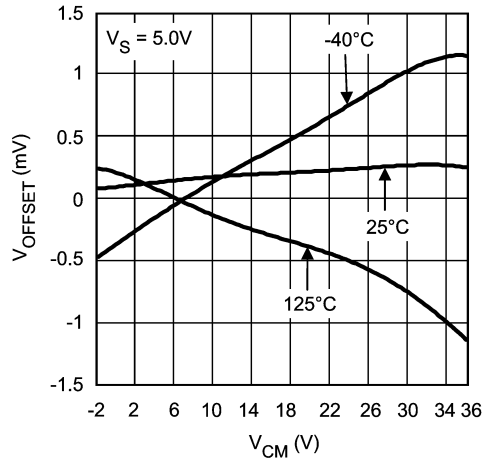


## Ordering Information

Package	Part Number	Package Marking	Transport Media	NSC Drawing
8-Pin SOIC	LMP8276MA	LMP8276MA	95 Units/Rail	M08A
	LMP8276MAX		2.5k Units Tape and Reel	

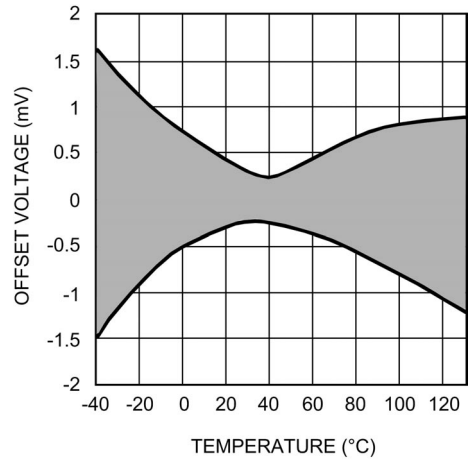
**Typical Performance Characteristics** Unless otherwise specified:  $T_A = 25^\circ\text{C}$ ,  $V_S = 5\text{V}$ ,  $V_{CM} = V_S/2$

**$V_{OS}$  vs.  $V_{CM}$  Over Temperature**



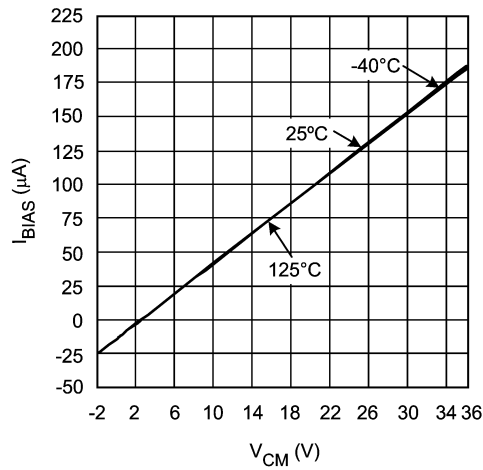
20130815

**Typical  $V_{OS}$  vs. Temperature**



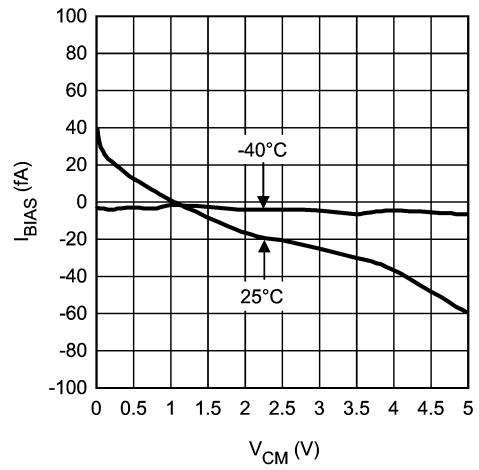
20130821

**Input Bias Current Over Temperature (A1 Inputs)**



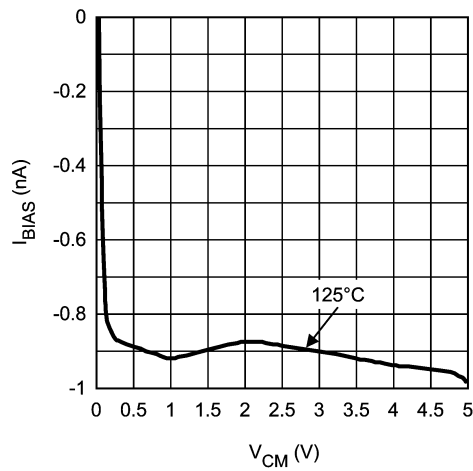
20130819

**Input Bias Current Over Temperature (A2 Inputs)**



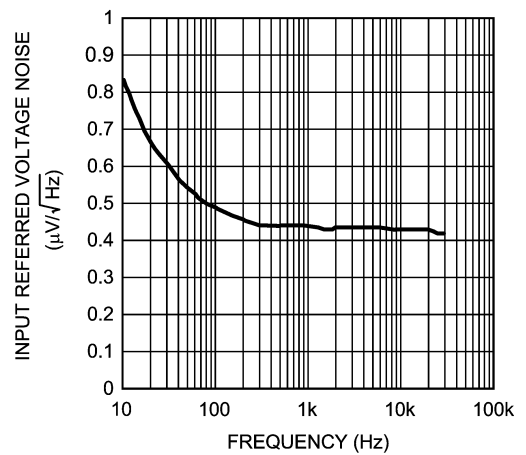
20130818

**Input Bias Current Over Temperature (A2 Inputs)**



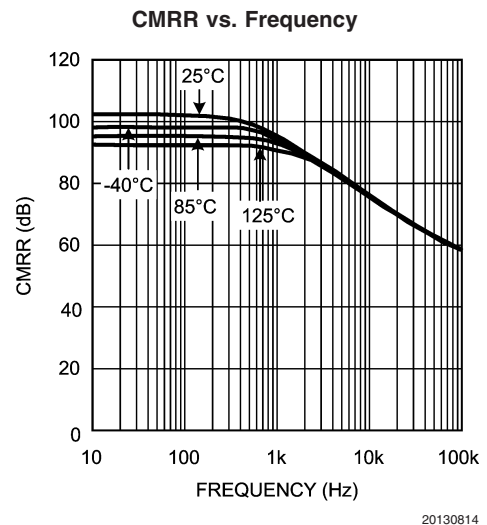
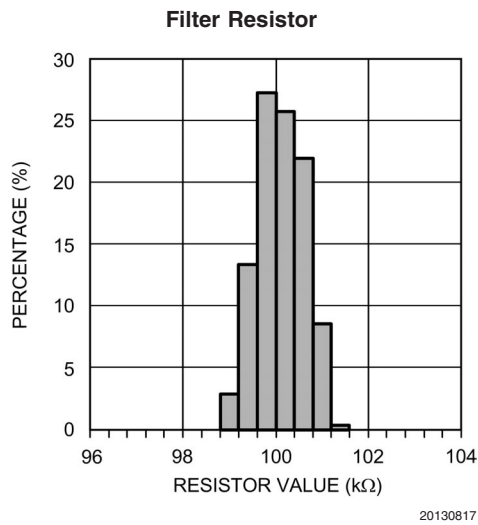
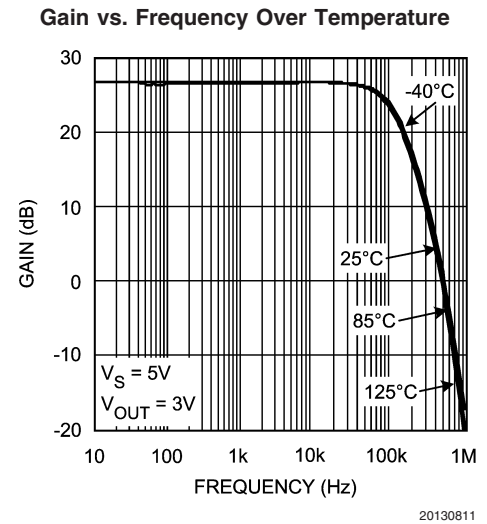
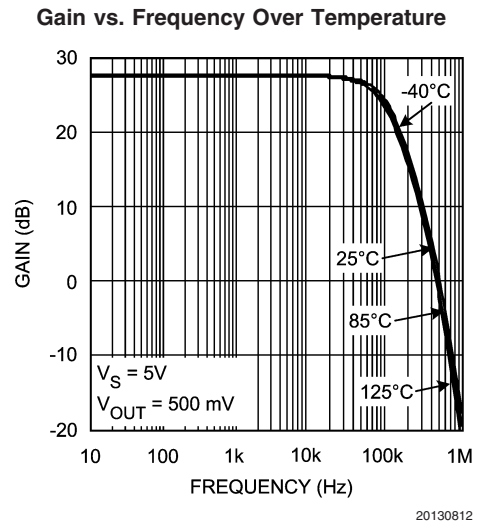
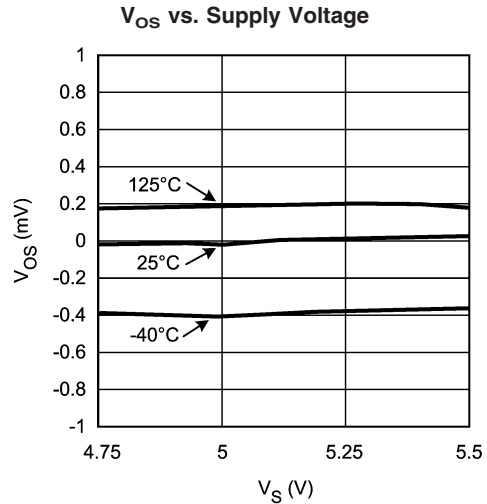
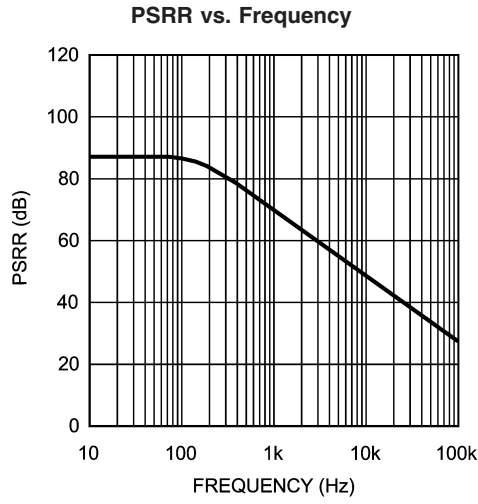
20130820

**Input Referred Voltage Noise vs. Frequency**



20130806

**Typical Performance Characteristics** Unless otherwise specified:  $T_A = 25^\circ\text{C}$ ,  $V_S = 5\text{V}$ ,  $V_{CM} = V_S/2$   
 (Continued)

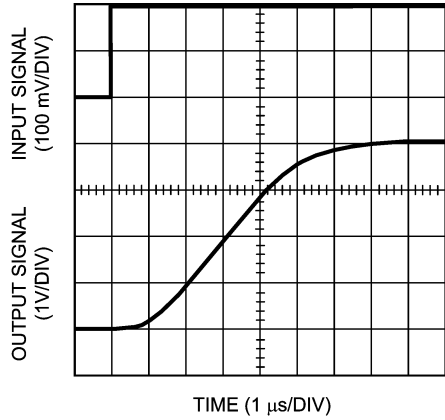


# Typical Performance Characteristics

(Continued)

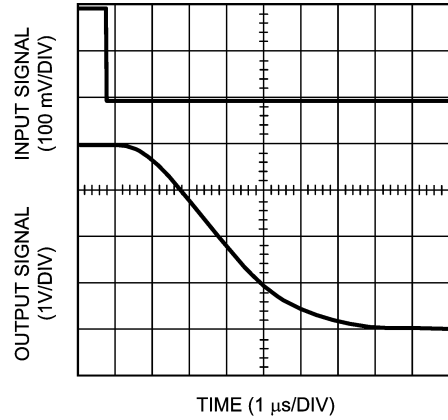
Unless otherwise specified:  $T_A = 25^\circ\text{C}$ ,  $V_S = 5\text{V}$ ,  $V_{CM} = V_S/2$

**Settling Time (Rising Edge)**



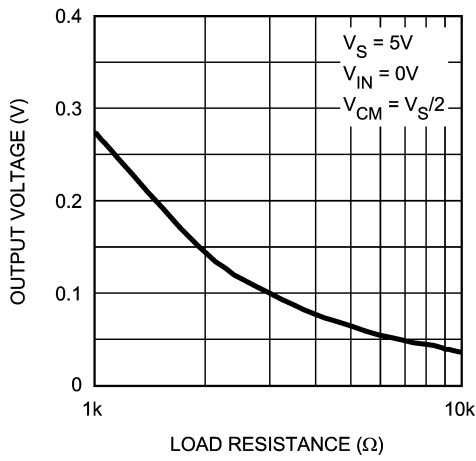
20130810

**Settling Time (Falling Edge)**



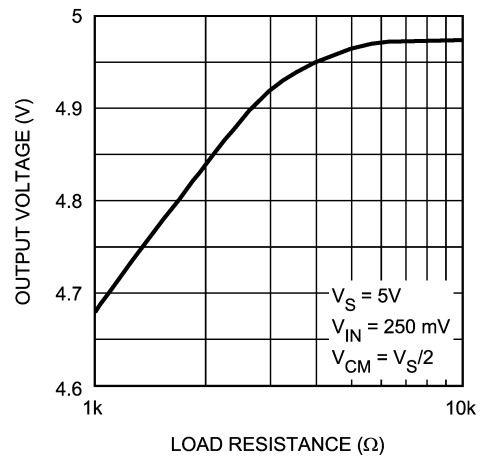
20130809

**Output Voltage vs.  $R_L$  to  $V_S$**



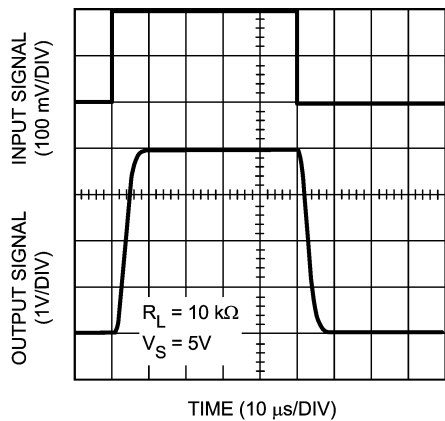
20130813

**Output Voltage vs.  $R_L$  to GND**



20130807

**Step Response**



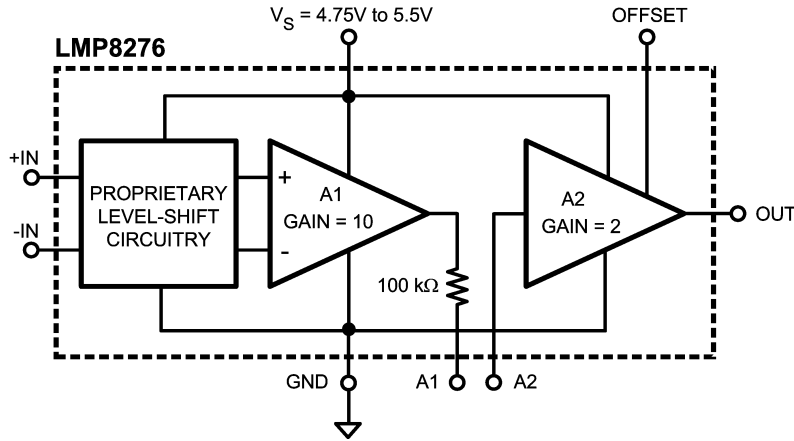
20130808

# Application Note

## LMP8276

The LMP8276 is a single supply amplifier with a fixed gain of 20 and an extended common mode voltage range of -2V to

36V. The fixed gain is achieved in two separate stages, a preamplifier with gain of +10 and a second stage amplifier with gain of +2. A block diagram of the LMP8276 is shown in Figure 1.



20130803

FIGURE 1.

The overall offset of the LMP8276 is minimized by trimming amplifier A1. This is done so that the output referred offset of A1 cancels the input referred offset of A2 or  $10V_{OS1} = -V_{OS2}$ . Because of this offset voltage relationship, the offset of each individual amplifier stage may be more than the limit specified for the overall system in the datasheet tables. Care must be given when pin 3 and 4, A1 and A2, are connected to each other. If the signal going from A1 to A2 is amplified or attenuated (by use of amplifiers and resistors), the overall LMP8276 offset will be affected as a result. Filtering the signal between A1 and A2 or simply connecting the two pins will not change the offset of the LMP8276.

Referencing the input referred offset voltages of each stage, the following relationship holds:

$$\frac{(10V_{OS1}) + (V_{OS2})}{10} = V_{OS} \text{ (LMP8276)}$$

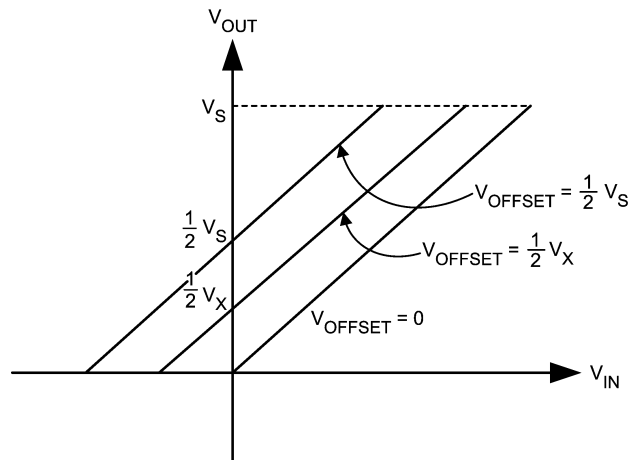
If the signal on pin 3 is scaled, attenuated or amplified, by a factor X then the offset of the overall system will become:

$$\frac{(10V_{OS1}) \times (X) + (V_{OS2})}{10(X)} = V_{OS} \text{ (LMP8276)}$$

### MID-RAIL OFFSET ADJUSTMENT PIN

The external mid-rail offset adjustment pin enables the user to utilize the LMP8276 for bidirectional current sensing. If the offset pin, pin 7, is connected to ground then the LMP8276 is capable of sensing positive signals. When the offset pin is connected to  $V_S$  then  $1/2V_S$  is added to the output and the amplifier can sense both positive and negative signals. If this offset pin is connected to any voltage between ground and  $V_S$ , then the output is increased by a voltage equal to half of

that offset. Namely, if the offset is connected to  $V_X$ , then the output increases by  $1/2V_X$ . This relationship is shown in Figure 2:



20130824

FIGURE 2.

Note that the offset pin, pin 7, needs to be connected at all times. If the pin is left floating, the LMP8276 will be operating in an undefined mode. Also pin 7 should be driven from a low impedance source.

### POWER SUPPLY DECOUPLING

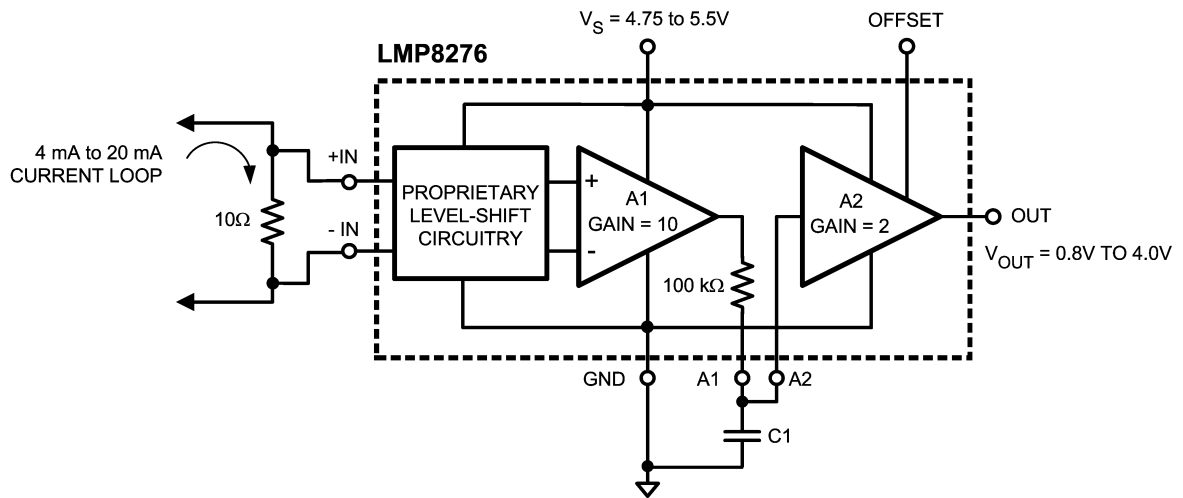
In order to decouple the LMP8276 from AC noise on the power supply, it is recommended to use a 0.1 μF on the power supply. It is best to use a 0.1 μF capacitor in parallel with a 10 μF capacitor. This will generate an AC path to ground for most frequency ranges and will greatly reduce the noise introduced by the power supply.

## Application Note (Continued)

### CURRENT LOOP RECEIVER

Many types of process control instrumentation use 4 to 20 mA transmitters to transmit the sensor's analog value to a

central control room. The LMP8276 can be used as a current loop receiver as shown in *Figure 3*.



20130828

FIGURE 3.

### HIGH SIDE CURRENT SENSING

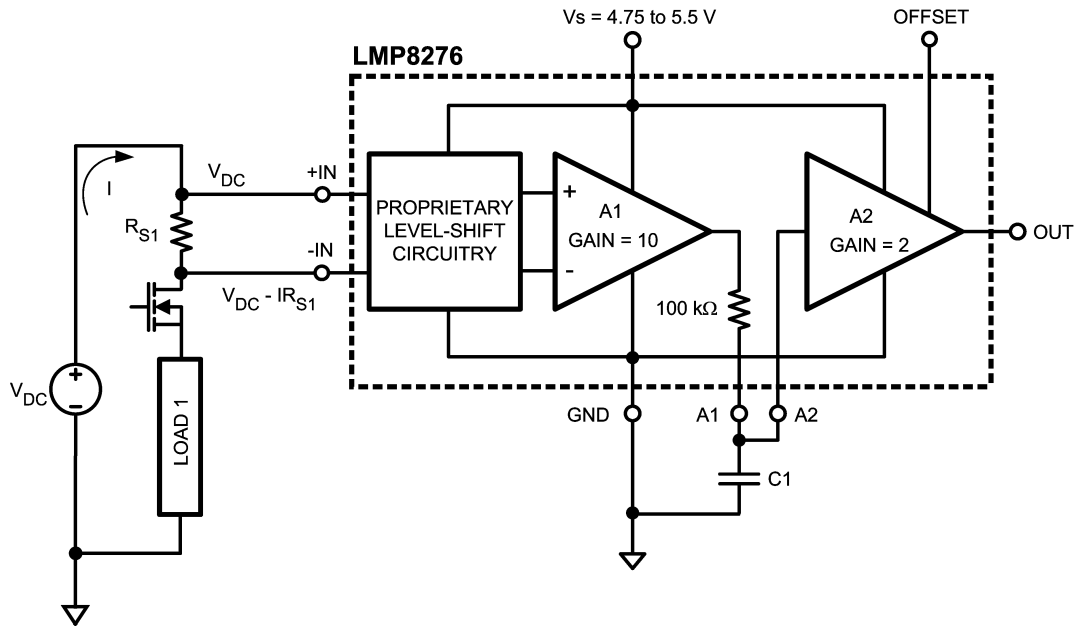
High side current measurement requires a differential amplifier with gain. Here the DC voltage source represent a common mode voltage with the +IN input at the supply voltage and the -IN input very close to the supply voltage. The LMP8276 can be used with a common mode voltage,  $V_{DC}$  in this case, of up to 36 volts

The LMP8276 can be used for high side current sensing. The large common mode voltage range of this device allows

it to sense signals outside of its supply voltage range. Also, the LMP8276 has very high CMRR, which enables it to sense very small signals in the presence of larger common mode signals. The system in *Figure 4* couples these two characteristics of the LMP8276 in an automotive application. The signal through  $R_{S1}$  is detected and amplified by the LMP8276 in the presence of a common mode signal of up to 27 Volts with the highest accuracy.



## Application Note (Continued)



20130829

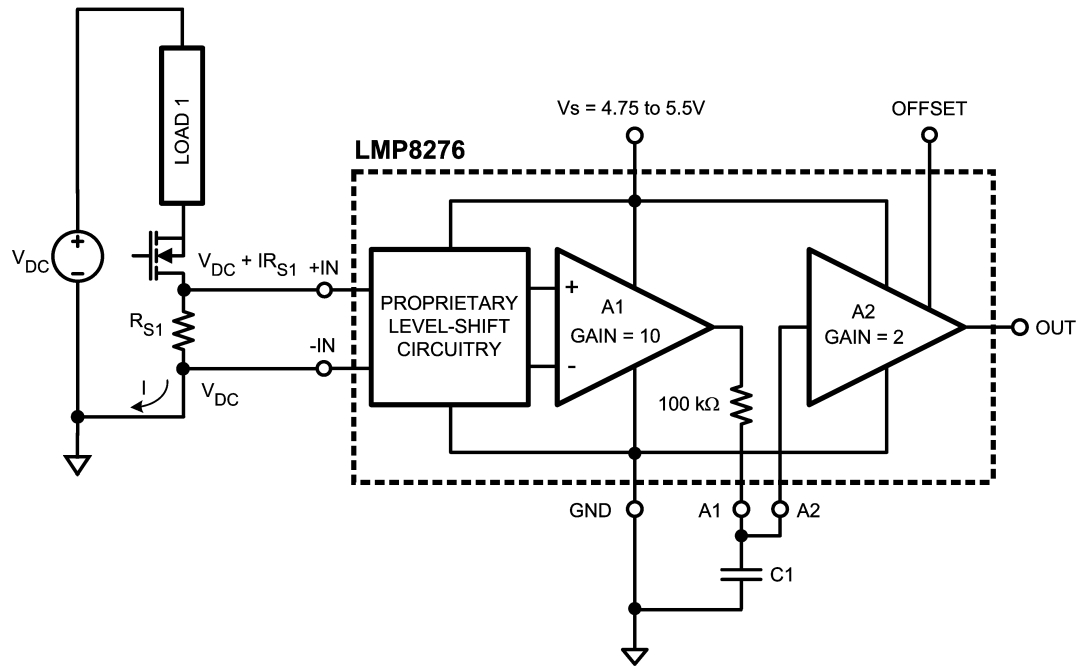
FIGURE 4.

### LOW SIDE CURRENT SENSING

Low side current measurements can cause a problem for operational amplifiers by exceeding the negative common mode voltage limit of the device. In *Figure 5*, the load current is returning to the power source through a common connection that has a parasitic resistance. The voltage drop across the parasitic resistances can cause the ground connection of

the measurement circuits to be at a positive voltage with respect to the common side of the sense resistor. This will result in one or both of the inputs being negative with respect to the circuit's ground. The LMP8276 has a wide input common mode voltage range of  $-2$  to  $36$  volts and will function in this condition.

**Application Note** (Continued)



20130830

**FIGURE 5.**

**SECOND ORDER LOW PASS FILTER**

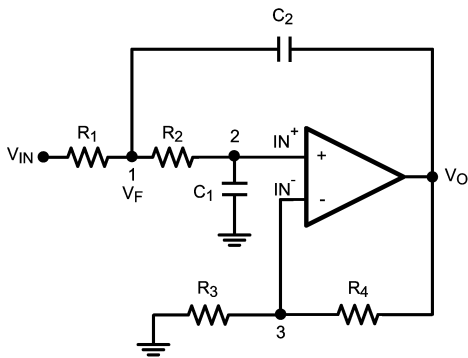
The LMP8276 can be used to build a second order Sallen-Key low pass filter. The general filter is shown in *Figure 6*

$$M = s^2 C_1 C_2 R_1 R_2 + s(R_1 C_1 + R_1 C_2 + C_1 R_2) + 1$$

$$N = s C_2 R_1$$

and

$$\frac{1}{K} = \frac{1}{A_{VOL}} + \frac{R_3}{R_3 + R_4}$$



20130831

**FIGURE 6.**

With the general transfer function

$$\frac{V_O}{V_{IN}} = \frac{K}{M - KN}$$

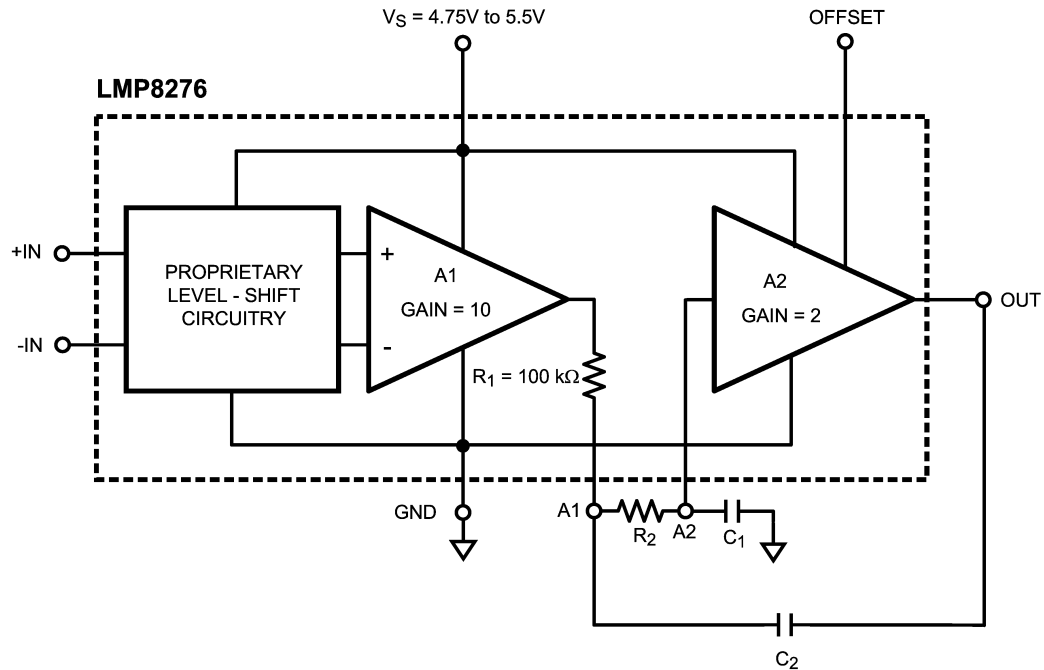
(1)

Where:

K represents the sum of DC closed loop gain and the non-ideal behavior of the operational amplifier. Assuming ideal behavior, the equation for K reduces simply to DC gain, which is +2 for the LMP8276.

The LMP8276 can be used to realize this configuration as shown in *Figure 7*:

## Application Note (Continued)



20130832

FIGURE 7.

Using Equation (1), the filter parameters can be calculated as follows:

$$\omega_o = \frac{1}{\sqrt{R_1 R_2 C_1 C_2}}$$

$$f_c = \frac{1}{2\pi \sqrt{R_1 R_2 C_1 C_2}}$$

$$Q = \frac{\sqrt{R_1 R_2 C_1 C_2}}{R_1 C_1 + R_2 C_1 + (1-K) R_1 C_2}$$

For the LMP8276,  $R_1 = 100\text{k}\Omega$ . Setting  $R_1 = R_2$  and  $C_1 = C_2$  results in a low pass filter with  $Q = 1$ . Since the values of resistors are predetermined, the corner frequency of this implementation of the filter depends on the capacitor values.

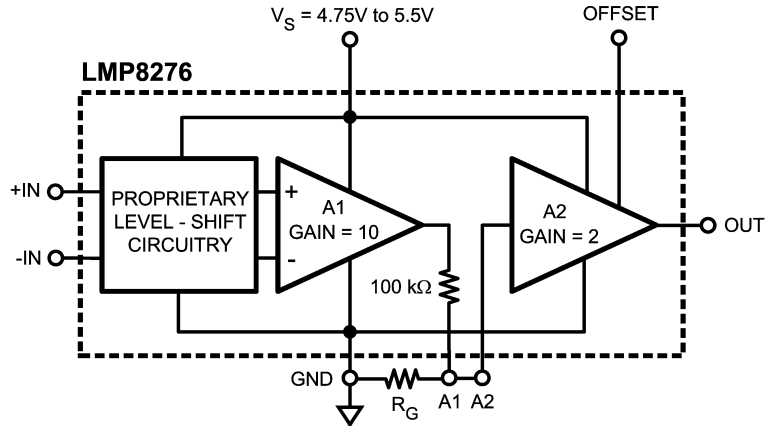
**GAINS OTHER THAN 20**

The LMP8276 has an internal gain of +20; however, this gain can be modified. The signal path between the two amplifiers is available as external pins.

**GAINS LESS THAN 20**

Figure 8 shows the configuration used to reduce the LMP8276 gain.

Application Note (Continued)



20130847

FIGURE 8.

Where:

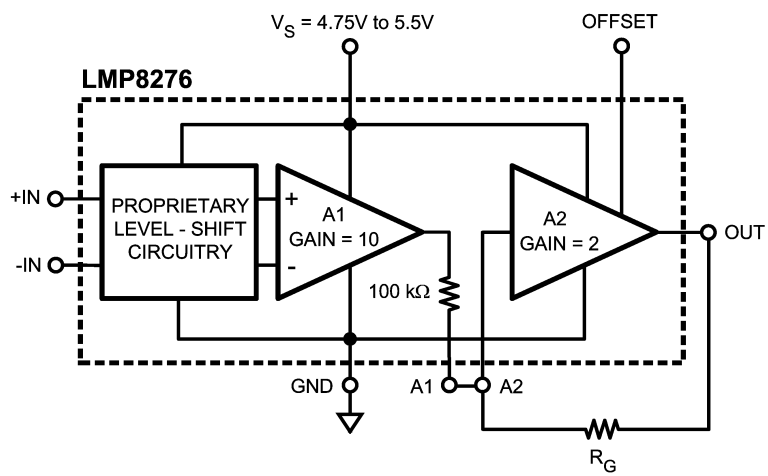
$$\text{GAIN (NEW)} = \frac{20 R_G}{R_G + 100 \text{ k}\Omega}$$

and

$$R_G = (100 \text{ k}\Omega) \frac{\text{GAIN (NEW)}}{20 - \text{GAIN (NEW)}}$$

**GAINS GREATER THAN 20**

A higher gain can be achieved by using positive feedback on the second stage amplifier, A2, of LMP8276. Figure 9 shows the configuration:



20130850

FIGURE 9.

The total gain is given by:

$$\text{GAIN (NEW)} = \frac{20 R_G}{R_G - 100 \text{ k}\Omega}$$

$$R_G = (100 \text{ k}\Omega) \frac{\text{GAIN (NEW)}}{\text{GAIN (NEW)} - 20}$$

which can be rearranged to calculate  $R_G$ :

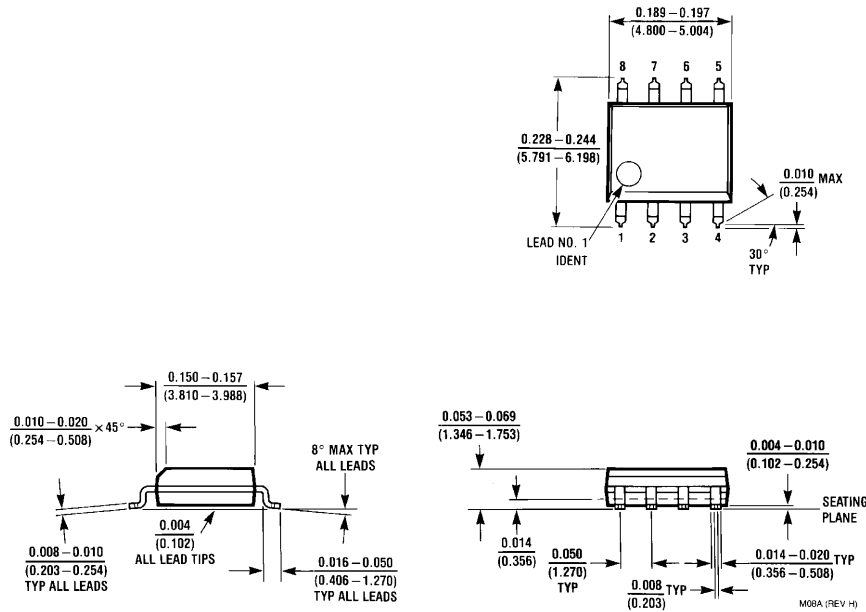
The inverting gain of the second amplifier is set at 2, giving the total system gain of 20. The non-inverting gain which is achieved through positive feedback can be less than or

**Application Note** (Continued)

equal to this gain without any issues. This implies a total

system gain of 40 or less is easily achievable. Once the positive gain surpasses the negative gain, the system might oscillate.

**Physical Dimensions** inches (millimeters) unless otherwise noted



**8-Pin SOIC  
NS Package Number M08A**

National does not assume any responsibility for use of any circuitry described, no circuit patent licenses are implied and National reserves the right at any time without notice to change said circuitry and specifications.

For the most current product information visit us at [www.national.com](http://www.national.com).

**LIFE SUPPORT POLICY**

NATIONAL'S PRODUCTS ARE NOT AUTHORIZED FOR USE AS CRITICAL COMPONENTS IN LIFE SUPPORT DEVICES OR SYSTEMS WITHOUT THE EXPRESS WRITTEN APPROVAL OF THE PRESIDENT AND GENERAL COUNSEL OF NATIONAL SEMICONDUCTOR CORPORATION. As used herein:

1. Life support devices or systems are devices or systems which, (a) are intended for surgical implant into the body, or (b) support or sustain life, and whose failure to perform when properly used in accordance with instructions for use provided in the labeling, can be reasonably expected to result in a significant injury to the user.
2. A critical component is any component of a life support device or system whose failure to perform can be reasonably expected to cause the failure of the life support device or system, or to affect its safety or effectiveness.

**BANNED SUBSTANCE COMPLIANCE**

National Semiconductor manufactures products and uses packing materials that meet the provisions of the Customer Products Stewardship Specification (CSP-9-111C2) and the Banned Substances and Materials of Interest Specification (CSP-9-111S2) and contain no "Banned Substances" as defined in CSP-9-111S2.

Leadfree products are RoHS compliant.



**National Semiconductor**  
Americas Customer  
Support Center  
Email: [new.feedback@nsc.com](mailto:new.feedback@nsc.com)  
Tel: 1-800-272-9959

**National Semiconductor**  
Europe Customer Support Center  
Fax: +49 (0) 180-530 85 86  
Email: [europa.support@nsc.com](mailto:europa.support@nsc.com)  
Deutsch Tel: +49 (0) 69 9508 6208  
English Tel: +44 (0) 870 24 0 2171  
Français Tel: +33 (0) 1 41 91 8790

**National Semiconductor**  
Asia Pacific Customer  
Support Center  
Email: [ap.support@nsc.com](mailto:ap.support@nsc.com)

**National Semiconductor**  
Japan Customer Support Center  
Fax: 81-3-5639-7507  
Email: [jpn.feedback@nsc.com](mailto:jpn.feedback@nsc.com)  
Tel: 81-3-5639-7560