



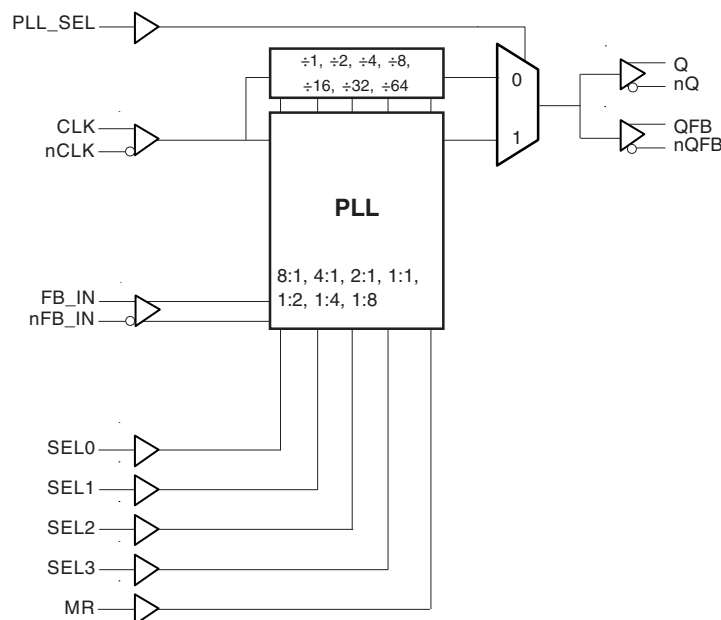
GENERAL DESCRIPTION

The ICS8735-21 is a highly versatile 1:1 Differential-to-3.3V LVPECL clock generator and a member of the HiPerClockS™ family of High Performance Clock Solutions from ICS. The CLK, nCLK pair can accept most standard differential input levels. The ICS8735-21 has a fully integrated PLL and can be configured as zero delay buffer, multiplier or divider, and has an output frequency range of 31.25MHz to 700MHz. The reference divider, feedback divider and output divider are each programmable, thereby allowing for the following output-to-input frequency ratios: 8:1, 4:1, 2:1, 1:1, 1:2, 1:4, 1:8. The external feedback allows the device to achieve “zero delay” between the input clock and the output clocks. The PLL_SEL pin can be used to bypass the PLL for system test and debug purposes. In bypass mode, the reference clock is routed around the PLL and into the internal output dividers.

FEATURES

- 1 differential 3.3V LVPECL output pair, 1 differential feedback output pair
- Differential CLK, nCLK input pair
- CLK, nCLK pair can accept the following differential input levels: LVDS, LVPECL, LVHSTL, SSTL, HCSL
- Output frequency range: 31.25MHz to 700MHz
- Input frequency range: 31.25MHz to 700MHz
- VCO range: 250MHz to 700MHz
- Programmable dividers allow for the following output-to-input frequency ratios: 8:1, 4:1, 2:1, 1:1, 1:2, 1:4, 1:8
- External feedback for “zero delay” clock regeneration with configurable frequencies
- Cycle-to-cycle jitter: 25ps (maximum)
- Static phase offset: 50ps ± 100ps
- 3.3V supply voltage
- 0°C to 70°C ambient operating temperature
- Lead-Free package fully RoHS compliant

BLOCK DIAGRAM



PIN ASSIGNMENT

CLK	1	20	nc
nCLK	2	19	SEL1
MR	3	18	SEL0
Vcc	4	17	Vcc
nFB_IN	5	16	PLL_SEL
FB_IN	6	15	Vcca
SEL2	7	14	SEL3
VEE	8	13	Vcco
nQFB	9	12	Q
QFB	10	11	nQ

ICS8735-21

20-Lead, 300-MIL SOIC
7.5mm x 12.8mm x 2.3mm body package
M Package
Top View



TABLE 1. PIN DESCRIPTIONS

Number	Name	Type		Description
1	CLK	Input	Pulldown	Non-inverting differential clock input.
2	nCLK	Input	Pullup	Inverting differential clock input.
3	MR	Input	Pulldown	Active HIGH Master Reset. When logic HIGH, the internal dividers are reset causing the true output Q to go low and the inverted outputs nQ to go high. When logic LOW, the internal dividers and the outputs are enabled. LVCMOS / LVTTTL interface levels.
4, 17	V _{CC}	Power		Core supply pins.
5	nFB_IN	Input	Pullup	Feedback input to phase detector for regenerating clocks with "zero delay". Connect to pin 9.
6	FB_IN	Input	Pulldown	Feedback input to phase detector for regenerating clocks with "zero delay". Connect to pin 10.
7	SEL2	Input	Pulldown	Determines output divider values in Table 3. LVCMOS / LVTTTL interface levels.
8	V _{EE}	Power		Negative supply pin.
9, 10	nQFB, QFB	Output		Differential feedback outputs. LVPECL interface levels.
11, 12	nQ, Q	Output		Differential clock outputs. LVPECL interface levels.
13	V _{CCO}	Power		Output supply pin.
14	SEL3	Input	Pulldown	Determines output divider values in Table 3. LVCMOS / LVTTTL interface levels.
15	V _{CCA}	Power		Analog supply pin.
16	PLL_SEL	Input	Pullup	Selects between the PLL and reference clock as the input to the dividers. When LOW, selects reference clock. When HIGH, selects PLL. LVCMOS / LVTTTL interface levels.
18	SEL0	Input	Pulldown	Determines output divider values in Table 3. LVCMOS / LVTTTL interface levels.
19	SEL1	Input	Pulldown	Determines output divider values in Table 3. LVCMOS / LVTTTL interface levels.
20	nc	Unused		No connect.

NOTE: *Pullup* and *Pulldown* refer to internal input resistors. See Table 2, Pin Characteristics, for typical values.

TABLE 2. PIN CHARACTERISTICS

Symbol	Parameter	Test Conditions	Minimum	Typical	Maximum	Units
C _{IN}	Input Capacitance			4		pF
R _{PULLUP}	Input Pullup Resistor			51		kΩ
R _{PULLDOWN}	Input Pulldown Resistor			51		kΩ



TABLE 3A. CONTROL INPUT FUNCTION TABLE

Inputs					Outputs PLL_SEL = 1 PLL Enable Mode
SEL3	SEL2	SEL1	SEL0	Reference Frequency Range (MHz)*	Q, nQ; QFB, nQFB
0	0	0	0	250 - 700	÷ 1
0	0	0	1	125 - 350	÷ 1
0	0	1	0	62.5 - 175	÷ 1
0	0	1	1	31.25 - 87.5	÷ 1
0	1	0	0	250 - 700	÷ 2
0	1	0	1	125 - 350	÷ 2
0	1	1	0	62.5 - 175	÷ 2
0	1	1	1	250 - 700	÷ 4
1	0	0	0	125 - 350	÷ 4
1	0	0	1	250 - 700	÷ 8
1	0	1	0	125 - 350	x 2
1	0	1	1	62.5 - 175	x 2
1	1	0	0	31.25 - 87.5	x 2
1	1	0	1	62.5 - 175	x 4
1	1	1	0	31.25 - 87.5	x 4
1	1	1	1	31.25 - 87.5	x 8

*NOTE: VCO frequency range for all configurations above is 250MHz to 700MHz.

TABLE 3B. PLL BYPASS FUNCTION TABLE

Inputs				Outputs PLL_SEL = 0 PLL Bypass Mode
SEL3	SEL2	SEL1	SEL0	Q, nQ; QFB, nQFB
0	0	0	0	÷ 4
0	0	0	1	÷ 4
0	0	1	0	÷ 4
0	0	1	1	÷ 8
0	1	0	0	÷ 8
0	1	0	1	÷ 8
0	1	1	0	÷ 16
0	1	1	1	÷ 16
1	0	0	0	÷ 32
1	0	0	1	÷ 64
1	0	1	0	÷ 2
1	0	1	1	÷ 2
1	1	0	0	÷ 4
1	1	0	1	÷ 1
1	1	1	0	÷ 2
1	1	1	1	÷ 1



ABSOLUTE MAXIMUM RATINGS

Supply Voltage, V_{CC}	4.6V
Inputs, V_i	-0.5V to $V_{CC} + 0.5V$
Outputs, I_o	
Continuous Current	50mA
Surge Current	100mA
Package Thermal Impedance, θ_{JA}	46.2°C/W (0 lfpm)
Storage Temperature, T_{STG}	-65°C to 150°C

NOTE: Stresses beyond those listed under Absolute Maximum Ratings may cause permanent damage to the device. These ratings are stress specifications only. Functional operation of product at these conditions or any conditions beyond those listed in the *DC Characteristics* or *AC Characteristics* is not implied. Exposure to absolute maximum rating conditions for extended periods may affect product reliability.

TABLE 4A. POWER SUPPLY DC CHARACTERISTICS, $V_{CC} = V_{CCA} = V_{CCO} = 3.3V \pm 5\%$, $T_A = 0^\circ C$ TO $70^\circ C$

Symbol	Parameter	Test Conditions	Minimum	Typical	Maximum	Units
V_{CC}	Core Supply Voltage		3.135	3.3	3.465	V
V_{CCA}	Analog Supply Voltage		3.135	3.3	3.465	V
V_{CCO}	Output Supply Voltage		3.135	3.3	3.465	V
I_{EE}	Power Supply Current				150	mA
I_{CCA}	Analog Supply Current				15	mA

TABLE 4B. LVCMOS/LVTTL DC CHARACTERISTICS, $V_{CC} = V_{CCA} = V_{CCO} = 3.3V \pm 5\%$, $T_A = 0^\circ C$ TO $70^\circ C$

Symbol	Parameter	Test Conditions	Minimum	Typical	Maximum	Units
V_{IH}	Input High Voltage		2		$V_{CC} + 0.3$	V
V_{IL}	Input Low Voltage		-0.3		0.8	V
I_{IH}	Input High Current	SEL0, SEL1, SEL2, SEL3, MR	$V_{CC} = V_{IN} = 3.465V$		150	μA
		PLL_SEL	$V_{CC} = V_{IN} = 3.465V$		5	μA
I_{IL}	Input Low Current	SEL0, SEL1, SEL2, SEL3, MR	$V_{CC} = 3.465V, V_{IN} = 0V$	-5		μA
		PLL_SEL	$V_{CC} = 3.465V, V_{IN} = 0V$	-150		μA

TABLE 4C. DIFFERENTIAL DC CHARACTERISTICS, $V_{CC} = V_{CCA} = V_{CCO} = 3.3V \pm 5\%$, $T_A = 0^\circ C$ TO $70^\circ C$

Symbol	Parameter	Test Conditions	Minimum	Typical	Maximum	Units
I_{IH}	Input High Current	CLK, FB_IN	$V_{CC} = V_{IN} = 3.465V$		150	μA
		nCLK, nFB_IN	$V_{CC} = V_{IN} = 3.465V$		5	μA
I_{IL}	Input Low Current	CLK, FB_IN	$V_{CC} = 3.465V, V_{IN} = 0V$	-5		μA
		nCLK, nFB_IN	$V_{CC} = 3.465V, V_{IN} = 0V$	-150		μA
V_{PP}	Peak-to-Peak Input Voltage		0.15		1.3	V
V_{CMR}	Common Mode Input Voltage; NOTE 1, 2		$V_{EE} + 0.5$		$V_{CC} - 0.85$	V

NOTE 1: Common mode voltage is defined as V_{IH} .

NOTE 2: For single ended applications, the maximum input voltage for CLK, nCLK is $V_{CC} + 0.3V$.



TABLE 4D. LVPECL DC CHARACTERISTICS, $V_{CC} = V_{CCA} = V_{CCO} = 3.3V \pm 5\%$, $T_A = 0^\circ C$ TO $70^\circ C$

Symbol	Parameter	Test Conditions	Minimum	Typical	Maximum	Units
V_{OH}	Output High Voltage; NOTE 1		$V_{CCO} - 1.4$		$V_{CCO} - 0.9$	V
V_{OL}	Output Low Voltage; NOTE 1		$V_{CCO} - 2.0$		$V_{CCO} - 1.7$	V
V_{SWING}	Peak-to-Peak Output Voltage Swing		0.6		1.0	V

NOTE 1: Outputs terminated with 50Ω to $V_{CCO} - 2V$.

TABLE 5. INPUT FREQUENCY CHARACTERISTICS, $V_{CC} = V_{CCA} = V_{CCO} = 3.3V \pm 5\%$, $T_A = 0^\circ C$ TO $70^\circ C$

Symbol	Parameter		Test Conditions	Minimum	Typical	Maximum	Units
f_{IN}	Input Frequency	CLK, nCLK	PLL_SEL = 1	31.25		700	MHz
			PLL_SEL = 0			700	MHz

TABLE 6. AC CHARACTERISTICS, $V_{CC} = V_{CCA} = V_{CCO} = 3.3V \pm 5\%$, $T_A = 0^\circ C$ TO $70^\circ C$

Symbol	Parameter	Test Conditions	Minimum	Typical	Maximum	Units
f_{MAX}	Output Frequency				700	MHz
t_{PD}	Propagation Delay; NOTE 1	PLL_SEL = 0V, $f \leq 700MHz$	3.0		4.2	ns
tsk(o)	Output Skew; NOTE 4, 5	PLL_SEL = 0V			20	ps
$t(\emptyset)$	Static Phase Offset; NOTE 2, 5	PLL_SEL = 3.3V	-50	50	150	ps
$f_{jit}(cc)$	Cycle-to-Cycle Jitter; NOTE 5, 6				25	ps
$f_{jit}(\theta)$	Phase Jitter; NOTE 3, 5, 6				± 50	ps
t_L	PLL Lock Time				1	ms
t_R	Output Rise Time	20% to 80% @ 50MHz	300		700	ps
t_F	Output Fall Time	20% to 80% @ 50MHz	300		700	ps
odc	Output Duty Cycle		47		53	%

All parameters measured at f_{MAX} unless noted otherwise.

NOTE 1: Measured from the differential input crossing point to the differential output crossing point.

NOTE 2: Defined as the time difference between the input reference clock and the average feedback input signal, when the PLL is locked and the input reference frequency is stable.

NOTE 3: Phase jitter is dependent on the input source used.

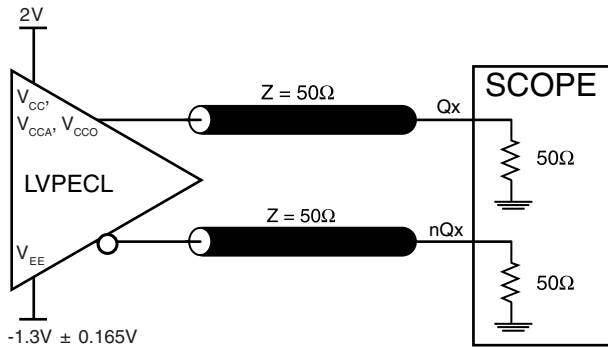
NOTE 4: Defined as skew between outputs at the same supply voltage and with equal load conditions. Measured at the output differential crosspoints.

NOTE 5: This parameter is defined in accordance with JEDEC Standard 65.

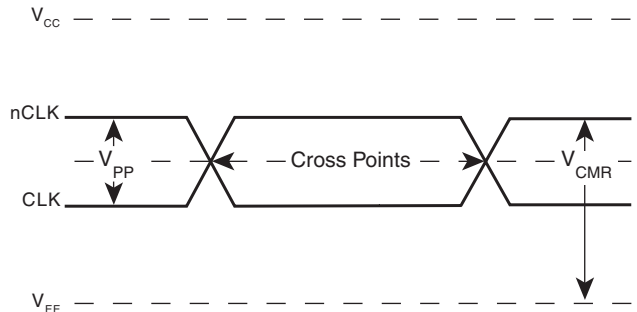
NOTE 6: Characterized at VCO frequency of 622MHz.



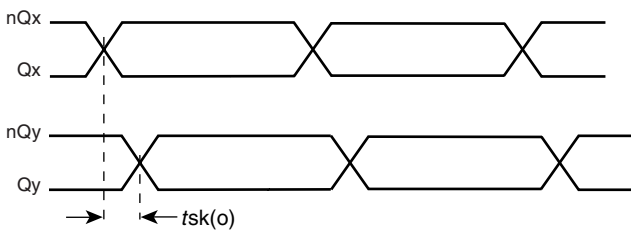
PARAMETER MEASUREMENT INFORMATION



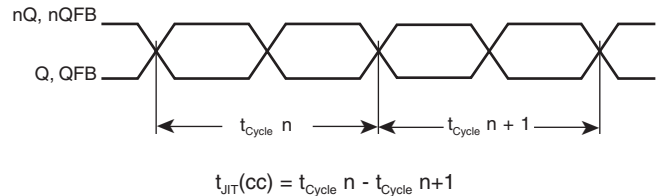
3.3V OUTPUT LOAD AC TEST CIRCUIT



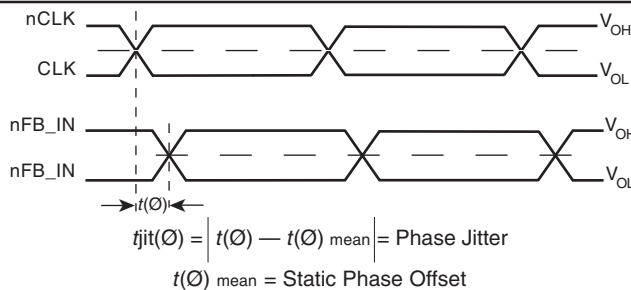
DIFFERENTIAL INPUT LEVEL



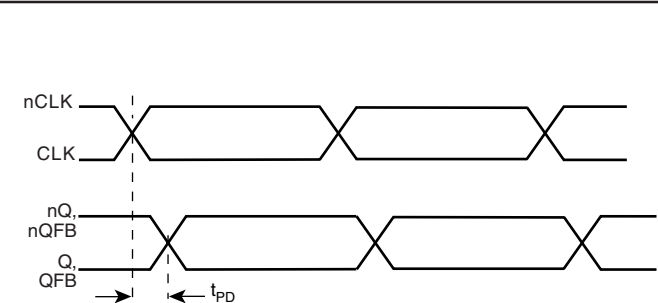
OUTPUT SKEW



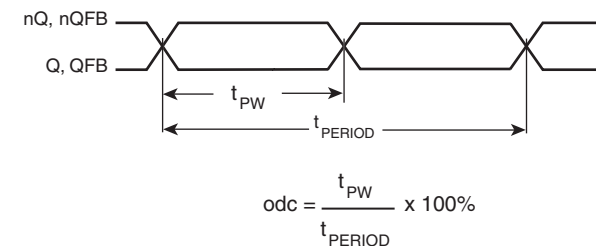
CYCLE-TO-CYCLE JITTER



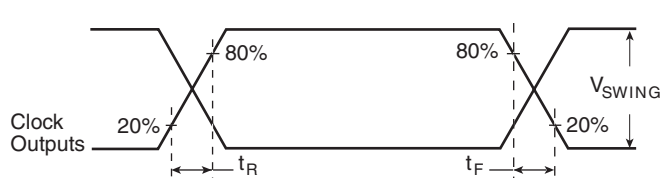
PHASE JITTER AND STATIC PHASE OFFSET



PROPAGATION DELAY



OUTPUT DUTY CYCLE/PULSE WIDTH/PERIOD



OUTPUT RISE/FALL TIME



APPLICATION INFORMATION

POWER SUPPLY FILTERING TECHNIQUES

As in any high speed analog circuitry, the power supply pins are vulnerable to random noise. The ICS8735-21 provides separate power supplies to isolate any high switching noise from the outputs to the internal PLL. V_{CC} , V_{CCA} , and V_{CCO} should be individually connected to the power supply plane through vias, and bypass capacitors should be used for each pin. To achieve optimum jitter performance, power supply isolation is required. *Figure 1* illustrates how a 10Ω resistor along with a $10\mu F$ and a $.01\mu F$ bypass capacitor should be connected to each V_{CCA} pin.

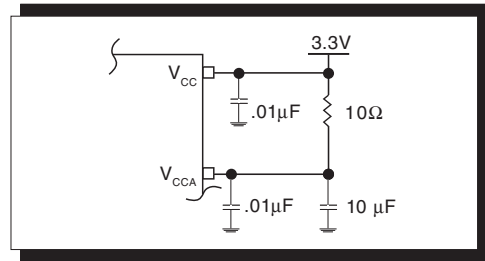


FIGURE 1. POWER SUPPLY FILTERING

WIRING THE DIFFERENTIAL INPUT TO ACCEPT SINGLE ENDED LEVELS

Figure 2 shows how the differential input can be wired to accept single ended levels. The reference voltage $V_{REF} \approx V_{CC}/2$ is generated by the bias resistors R1, R2 and C1. This bias circuit should be located as close as possible to the input pin. The ratio

of R1 and R2 might need to be adjusted to position the V_{REF} in the center of the input voltage swing. For example, if the input clock swing is only 2.5V and $V_{CC} = 3.3V$, V_{REF} should be 1.25V and $R2/R1 = 0.609$.

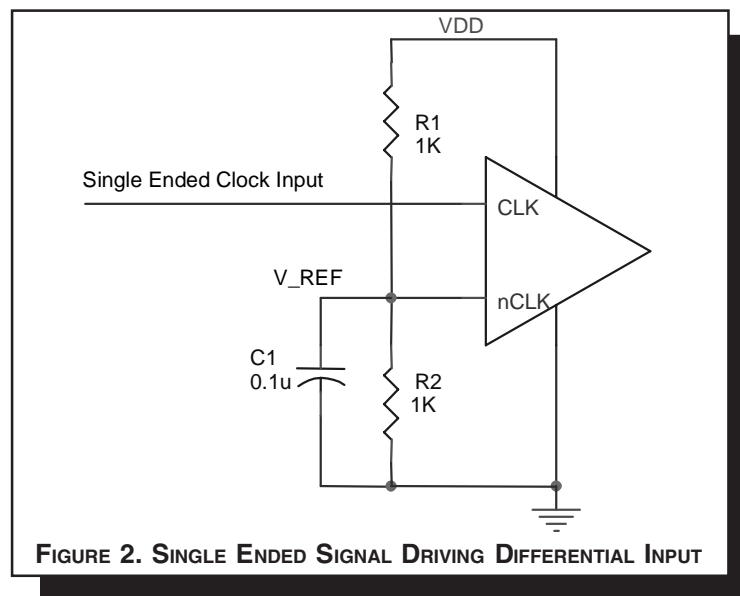


FIGURE 2. SINGLE ENDED SIGNAL DRIVING DIFFERENTIAL INPUT



TERMINATION FOR LVPECL OUTPUTS

The clock layout topology shown below is a typical termination for LVPECL outputs. The two different layouts mentioned are recommended only as guidelines.

FOUT and nFOUT are low impedance follower outputs that generate ECL/LVPECL compatible outputs. Therefore, terminating resistors (DC current path to ground) or current sources must be used for functionality. These outputs are designed to drive

50Ω transmission lines. Matched impedance techniques should be used to maximize operating frequency and minimize signal distortion. *Figures 3A and 3B* show two different layouts which are recommended only as guidelines. Other suitable clock layouts may exist and it would be recommended that the board designers simulate to guarantee compatibility across all printed circuit and clock component process variations.

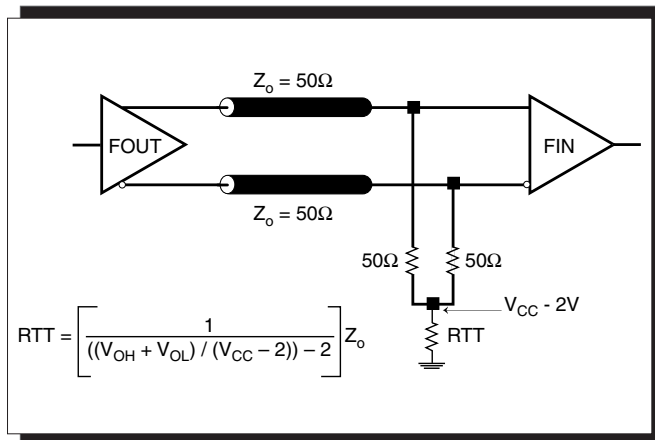


FIGURE 3A. LVPECL OUTPUT TERMINATION

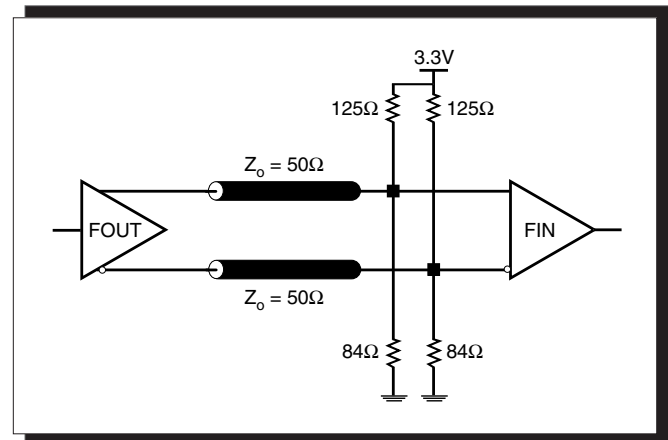


FIGURE 3B. LVPECL OUTPUT TERMINATION

SCHEMATIC EXAMPLE

Figure 4 shows a schematic example of the ICS8735-21. In this example, the input is driven by an HCSL driver. The zero delay buffer is configured to operate at 155.52MHz input and 77.75MHz output. The logic control pins are configured as follows:

SEL [3:0] = 0101; PLL_SEL = 1
The decoupling capacitors should be physically located near the power pin. For ICS8735-21.

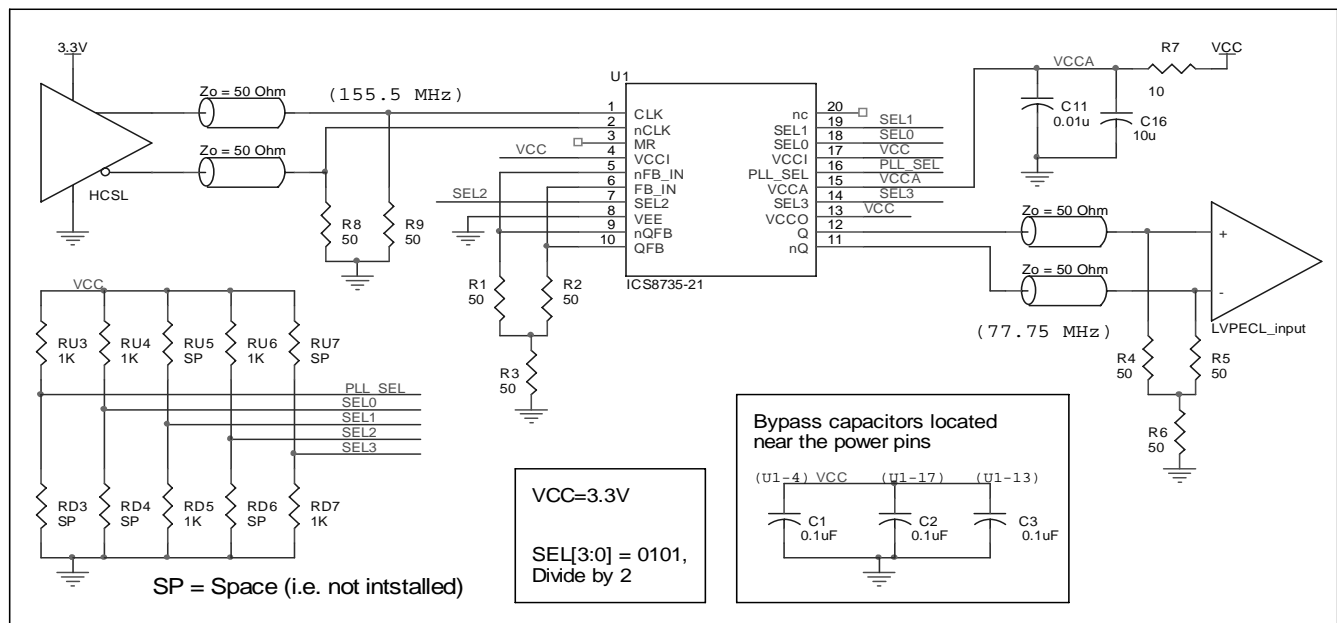


FIGURE 4. ICS8735-21 LVPECL BUFFER SCHEMATIC EXAMPLE



DIFFERENTIAL CLOCK INPUT INTERFACE

The CLK/nCLK accepts LVDS, LVPECL, LVHSTL, SSTL, HCSL and other differential signals. Both V_{SWING} and V_{OH} must meet the V_{PP} and V_{CMR} input requirements. Figures 5A to 5D show interface examples for the HiPerClockS CLK/nCLK input driven by the most common driver types. The input interfaces suggested

here are examples only. Please consult with the vendor of the driver component to confirm the driver termination requirements. For example in *Figure 4A*, the input termination applies for ICS HiPerClockS LVHSTL drivers. If you are using an LVHSTL driver from another vendor, use their termination recommendation.

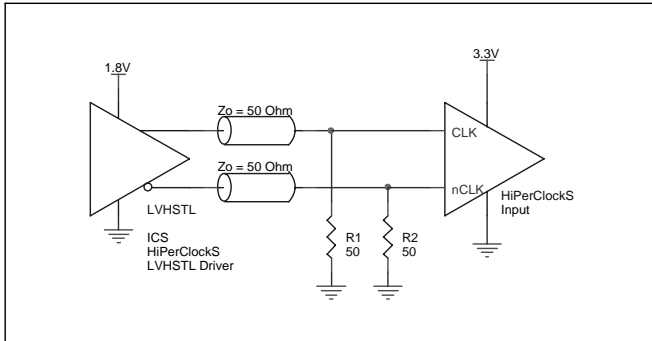


FIGURE 5A. HiPerClockS CLK/nCLK INPUT DRIVEN BY ICS HiPerClockS LVHSTL DRIVER

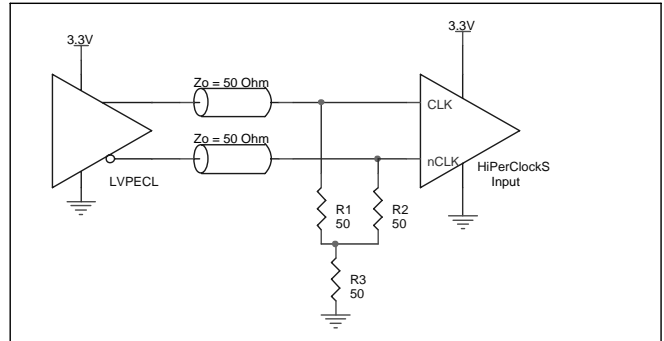


FIGURE 5B. HiPerClockS CLK/nCLK INPUT DRIVEN BY 3.3V LVPECL DRIVER

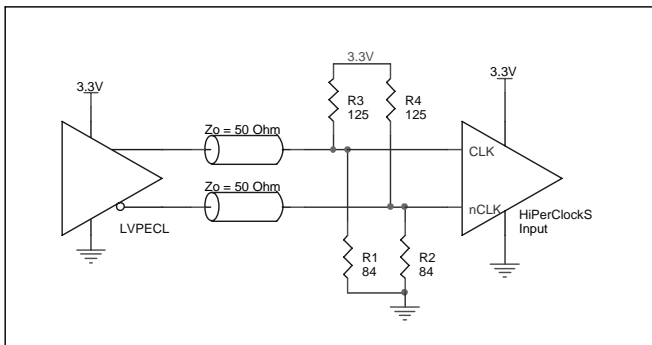


FIGURE 5C. HiPerClockS CLK/nCLK INPUT DRIVEN BY 3.3V LVPECL DRIVER

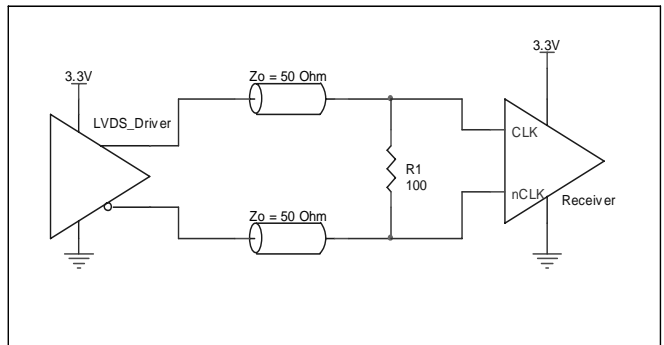


FIGURE 5D. HiPerClockS CLK/nCLK INPUT DRIVEN BY 3.3V LVDS DRIVER



POWER CONSIDERATIONS

This section provides information on power dissipation and junction temperature for the ICS8735-21. Equations and example calculations are also provided.

1. Power Dissipation.

The total power dissipation for the ICS8735-21 is the sum of the core power plus the power dissipated in the load(s). The following is the power dissipation for $V_{CC} = 3.3V + 5\% = 3.465V$, which gives worst case results.

NOTE: Please refer to Section 3 for details on calculating power dissipation in the load.

- Power (core)_{MAX} = $V_{CC_MAX} * I_{EE_MAX} = 3.465V * 150mA = 519.8mW$
- Power (outputs)_{MAX} = **30mW/Loaded Output pair**
If all outputs are loaded, the total power is $2 * 30mW = 60mW$

$$\text{Total Power}_{_MAX} (3.465V, \text{ with all outputs switching}) = 519.8mW + 60mW = 579.8mW$$

2. Junction Temperature.

Junction temperature, T_j , is the temperature at the junction of the bond wire and bond pad and directly affects the reliability of the device. The maximum recommended junction temperature for HiPerClockS™ devices is 125°C.

The equation for T_j is as follows: $T_j = \theta_{JA} * Pd_total + T_A$

T_j = Junction Temperature

θ_{JA} = Junction-to-Ambient Thermal Resistance

Pd_total = Total Device Power Dissipation (example calculation is in section 1 above)

T_A = Ambient Temperature

In order to calculate junction temperature, the appropriate junction-to-ambient thermal resistance θ_{JA} must be used. Assuming a moderate air flow of 200 linear feet per minute and a multi-layer board, the appropriate value is 39.7°C/W per Table 7 below.

Therefore, T_j for an ambient temperature of 70°C with all outputs switching is:

$$70^\circ C + 0.580W * 39.7^\circ C/W = 93^\circ C. \text{ This is well below the limit of } 125^\circ C.$$

This calculation is only an example. T_j will obviously vary depending on the number of loaded outputs, supply voltage, air flow, and the type of board (single layer or multi-layer).

TABLE 7. THERMAL RESISTANCE θ_{JA} FOR 20-PIN SOIC, FORCED CONVECTION

θ_{JA} by Velocity (Linear Feet per Minute)			
	0	200	500
Single-Layer PCB, JEDEC Standard Test Boards	83.2°C/W	65.7°C/W	57.5°C/W
Multi-Layer PCB, JEDEC Standard Test Boards	46.2°C/W	39.7°C/W	36.8°C/W

NOTE: Most modern PCB designs use multi-layered boards. The data in the second row pertains to most designs.



3. Calculations and Equations.

The purpose of this section is to derive the power dissipated into the load.

LVPECL output driver circuit and termination are shown in *Figure 6*.

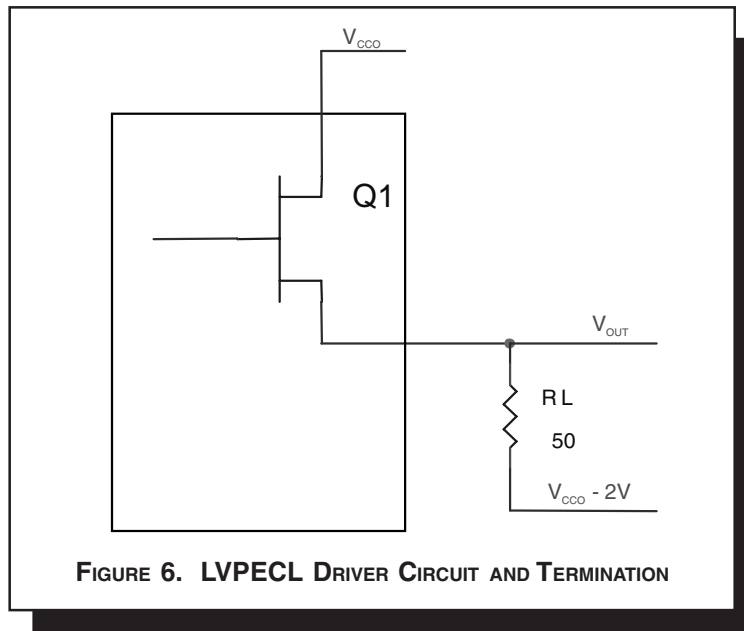


FIGURE 6. LVPECL DRIVER CIRCUIT AND TERMINATION

To calculate worst case power dissipation into the load, use the following equations which assume a 50Ω load, and a termination voltage of $V_{CCO} - 2V$.

- For logic high, $V_{OUT} = V_{OH_MAX} = V_{CCO_MAX} - 0.9V$

$$(V_{CCO_MAX} - V_{OH_MAX}) = 0.9V$$

- For logic low, $V_{OUT} = V_{OL_MAX} = V_{CCO_MAX} - 1.7V$

$$(V_{CCO_MAX} - V_{OL_MAX}) = 1.7V$$

Pd_H is power dissipation when the output drives high.

Pd_L is the power dissipation when the output drives low.

$$Pd_H = [(V_{OH_MAX} - (V_{CCO_MAX} - 2V))/R_L] * (V_{CCO_MAX} - V_{OH_MAX}) = [(2V - (V_{CCO_MAX} - V_{OH_MAX}))/R_L] * (V_{CCO_MAX} - V_{OH_MAX}) = [(2V - 0.9V)/50\Omega] * 0.9V = 19.8mW$$

$$Pd_L = [(V_{OL_MAX} - (V_{CCO_MAX} - 2V))/R_L] * (V_{CCO_MAX} - V_{OL_MAX}) = [(2V - (V_{CCO_MAX} - V_{OL_MAX}))/R_L] * (V_{CCO_MAX} - V_{OL_MAX}) = [(2V - 1.7V)/50\Omega] * 1.7V = 10.2mW$$

Total Power Dissipation per output pair = $Pd_H + Pd_L = 30mW$



RELIABILITY INFORMATION

TABLE 8. θ_{JA} VS. AIR FLOW TABLE FOR 20 LEAD SOIC

θ_{JA} by Velocity (Linear Feet per Minute)			
	0	200	500
Single-Layer PCB, JEDEC Standard Test Boards	83.2°C/W	65.7°C/W	57.5°C/W
Multi-Layer PCB, JEDEC Standard Test Boards	46.2°C/W	39.7°C/W	36.8°C/W

NOTE: Most modern PCB designs use multi-layered boards. The data in the second row pertains to most designs.

TRANSISTOR COUNT

The transistor count for ICS8735-21 is: 2969



PACKAGE OUTLINE - M SUFFIX FOR 20 LEAD SOIC

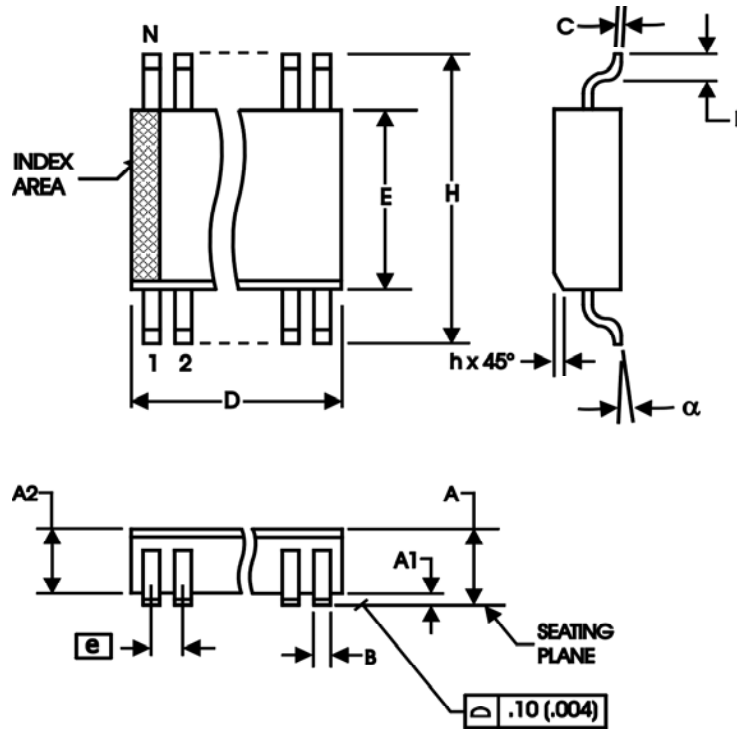


TABLE 9. PACKAGE DIMENSIONS

SYMBOL	Millimeters	
	Minimum	Maximum
N	20	
A	--	2.65
A1	0.10	--
A2	2.05	2.55
B	0.33	0.51
C	0.18	0.32
D	12.60	13.00
E	7.40	7.60
e	1.27 BASIC	
H	10.00	10.65
h	0.25	0.75
L	0.40	1.27
α	0°	8°

Reference Document: JEDEC Publication 95, MS-013, MO-119



Integrated
Circuit
Systems, Inc.

ICS8735-21

700MHz, DIFFERENTIAL-TO-3.3V LVPECL ZERO DELAY CLOCK GENERATOR

TABLE 10. ORDERING INFORMATION

Part/Order Number	Marking	Package	Shipping Packaging	Temperature
ICS8735AM-21	ICS8735AM-21	20 Lead SOIC	tube	0°C to 70°C
ICS8735AM-21T	ICS8735AM-21	20 Lead SOIC	1000 tape & reel	0°C to 70°C
ICS8735AM-21LF	ICS8735AM-21LF	20 Lead "Lead-Free" SOIC	tube	0°C to 70°C
ICS8735AM-21LFT	ICS8735AM-21LF	20 Lead "Lead-Free" SOIC	1000 tape & reel	0°C to 70°C

NOTE: Parts that are ordered with an "LF" suffix to the part number are the Pb-Free configuration and are RoHS compliant.

The aforementioned trademark, HiPerClockS™ is a trademark of Integrated Circuit Systems, Inc. or its subsidiaries in the United States and/or other countries. While the information presented herein has been checked for both accuracy and reliability, Integrated Circuit Systems, Incorporated (ICS) assumes no responsibility for either its use or for infringement of any patents or other rights of third parties, which would result from its use. No other circuits, patents, or licenses are implied. This product is intended for use in normal commercial applications. Any other applications such as those requiring extended temperature range, high reliability, or other extraordinary environmental requirements are not recommended without additional processing by ICS. ICS reserves the right to change any circuitry or specifications without notice. ICS does not authorize or warrant any ICS product for use in life support devices or critical medical instruments.



REVISION HISTORY SHEET				
Rev	Table	Page	Description of Change	Date
B	T6 T6	1	Revised Block Diagram.	10/31/01
		5	Added Output Skew row at 20ps Max.	
		5	Relabeled PLL Reference Zero Delay to Static Phase Offset.	
B	T3A T6	7	Added Output Skew Diagram.	11/20/01
		3	Added note at bottom of the table.	
B		5	Added Note 6.	
B		10	Added Termination for LVPECL Outputs section	6/3/02
B	T2	2	Pin Description Table - revised MR description.	8/19/02
		6	3.3V Output Load Test Circuit Diagram, revised VEE equation from "-1.3V ± 0.135V" to "-1.3V ± 0.165V".	
		8	Revised Output Rise/Fall Time Diagram.	
B		8 - 9	Added Schematic Example section	10/17/02
B	T1 T4A	2	Pin Description table - revised MR and V _{CC} descriptions.	2/03/03
		4	Power Supply table - revised V _{CC} Parameter to correspond with pin description.	
		9	Deleted Figure 8, "Clock Input Driven by LVPECL Driver w/AC Couple". AC Couple is not recommended for Zero Delay Buffers.	
C	T2	2	Pin Characteristics Table - changed CIN from 4pF max. to 4pF typical.	10/13/03
		4	Absolute Maximum Ratings - revised Output rating.	
		7	Updated Single Ended Signal Driving Differential Input Diagram.	
		8	Updated LVPECL Output Termination Diagrams.	
		8	Updated Schematic Example.	
D	T6	9	Updated Differential Clock Input Interface drawings.	
D	T6	5	AC Characteristics Table - modified tPD min. limit from 3.6ns to 3.0ns and deleted the typical value.	10/27/03
D	T10	1	Features section - added Lead-Free bullet.	5/24/05
		14	Ordering Information Table - added Lead-Free part number and note.	
E	T4D	5	LVPECL DC Characteristics Table - improved V _{OH} spec. to 0.9V from 1.0 and V _{SWING} spec from 0.9V to 1.0V.	6/15/05
		10 - 11	Power Considerations - corrected V _{OH} spec to correlate with LVPECL Table 4D.	