

# FAN8024BD

## 4-Channel Motor Driver

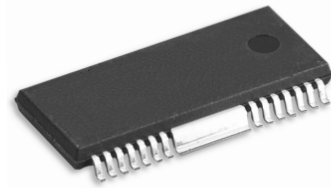
### Features

- 2-Channel BTL driver with current feedback
- 2-Channel BTL DC motor driver
- Built-in thermal shutdown circuit
- Built-in mute circuit
- Operating supply voltage: 4.5~13.2V

### Description

The FAN8024BD is a monolithic IC, suitable for a 2-ch BTL DC motor driver and a 2-ch motor driver with current feedback which drives the focus and tracking actuator of a CD- media system.

28-SSOPH-375



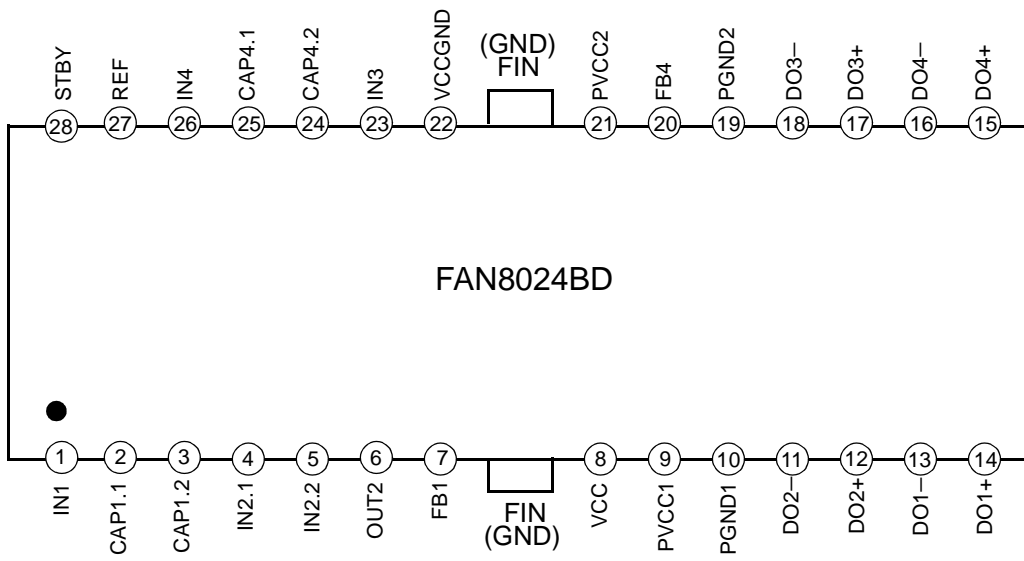
### Typical Applications

- Compact disk ROM (CD-ROM)
- Compact disk RW (CD-RW)
- Digital video disk ROM (DVD-ROM)
- Digital video disk RAM (DVD-RAM)
- Digital video disk player (DVDP)
- Other compact disk media

### Ordering Information

Device	Package	Operating Temp.
FAN8024BD	28-SSOPH-375	-25 °C ~ 85 °C
FAN8024BDTF	28-SSOPH-375	-25 °C ~ 85 °C

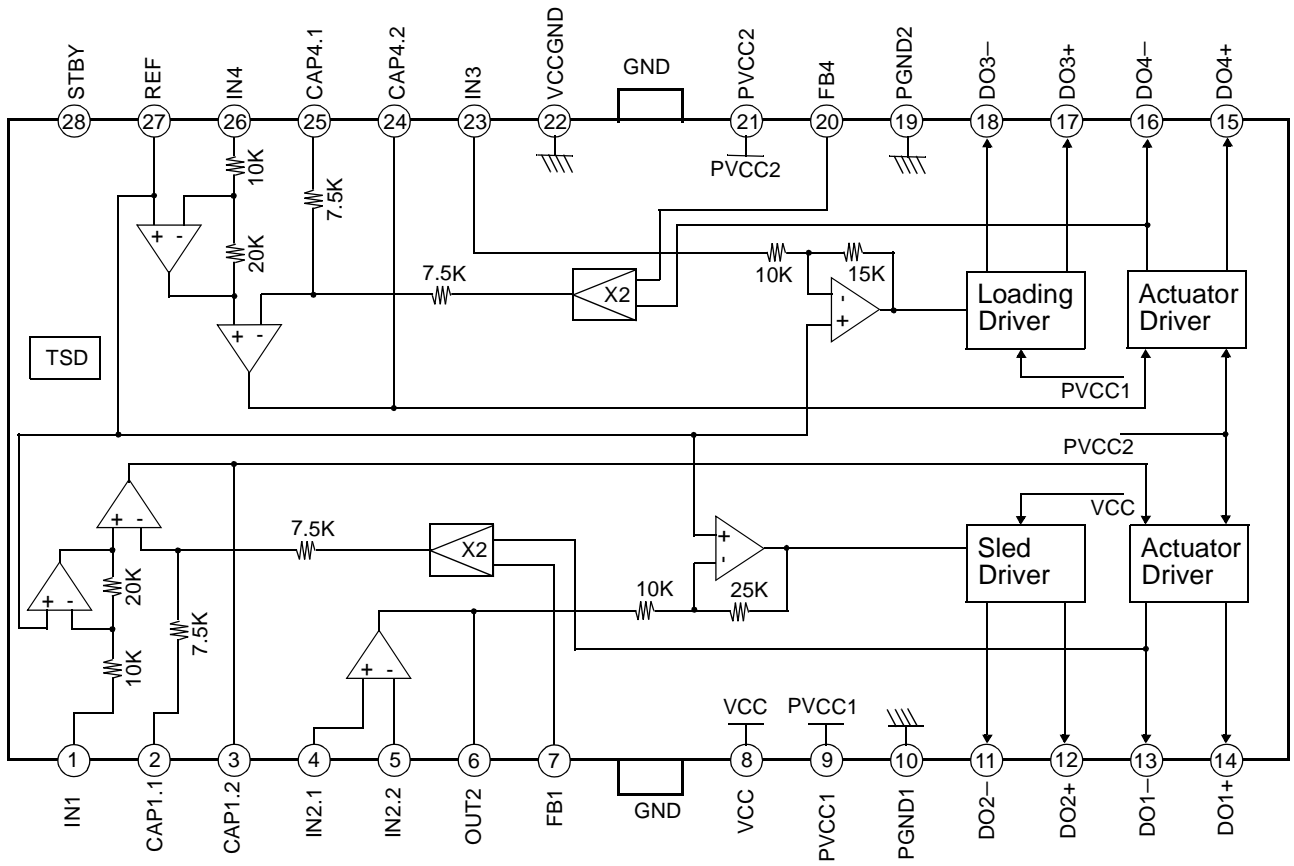
## Pin Assignments



## Pin Definitions

Pin Number	Pin Name	I/O	Pin Function Description
1	IN1	I	CH1 input
2	CAP1.1	-	Connection with capacitor for CH1
3	CAP1.2	-	
4	IN2.1	I	OP-AMP CH2 input(+)
5	IN2.2	I	OP-AMP CH2 input(-)
6	OUT2	O	OP-AMP CH2 output
7	FB1	I	Feedback for CH1
8	VCC	-	Signal Vcc
9	PVCC1	-	Power Supply 1
10	PGND1	-	Power Ground 1
11	DO2-	O	Drive2 Output (-)
12	DO2+	O	Drive2 Output (+)
13	DO1-	O	Drive1 Output (-)
14	DO1+	O	Drive2 Output (+)
15	DO4+	O	Drive4 Output (+)
16	DO4-	O	Drive4 Output (-)
17	DO3+	O	Drive3 Output (+)
18	DO3-	O	Drive3 Output (-)
19	PGND2	-	Power Ground 2
20	FB4	-	Feedback for CH4
21	PVCC2	-	Power Supply 2
22	VCCGND	-	Vcc ground
23	IN3	I	CH3 input
24	CAP4.2	-	Connection with capacitor for CH4
25	CAP4.1	-	
26	IN4	I	CH4 input
27	REF	I	Bias voltage input
28	STBY	I	Stand-by input

# Internal Block Diagram



# Equivalent Circuits

ERROR AMP INPUT	STAND-BY INPUT
ERROR AMP OUTPUT	SIGNAL REFERENCE INPUT
POWER AMP OUTPUT	

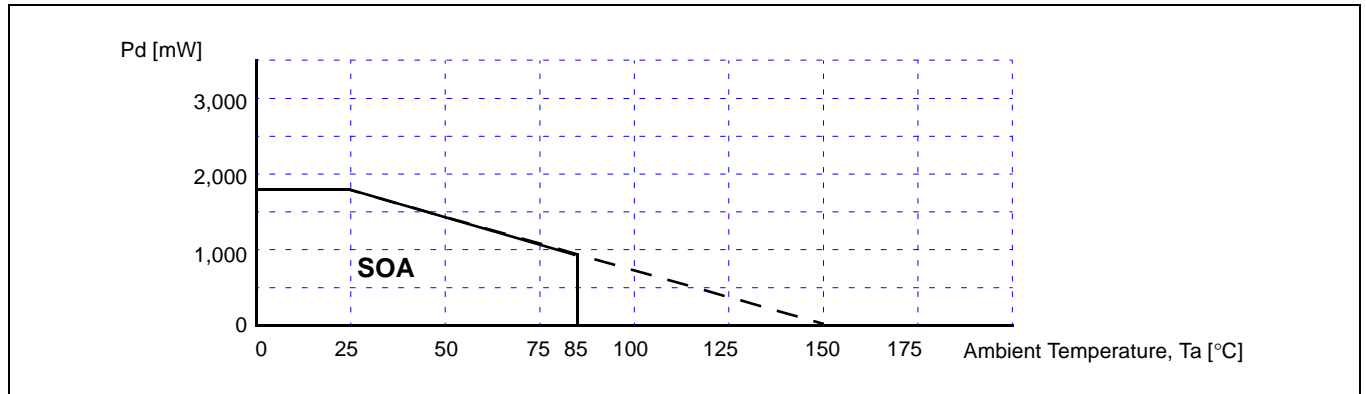
## Absolute Maximum Ratings (Ta = 25°C)

Parameter	Symbol	Value	Unit
Maximum supply voltage	V <sub>CCmax</sub>	15	V
Power dissipation	P <sub>D</sub>	1.7 <sup>note</sup>	W
Operating temperature range	T <sub>OPR</sub>	-25 ~ +85	°C
Storage temperature range	T <sub>STG</sub>	-55 ~ +150	°C

### NOTE:

1. When mounted on a 50mm × 50mm × 1mm PCB (Phenolic resin material).
2. Power dissipation reduces 13.6mW/°C for using above Ta = 25°C
3. Do not exceed P<sub>D</sub> and SOA(Safe operating area).

## Power Dissipation Curve



## Recommended Operating Conditions (Ta = 25°C)

Parameter	Symbol	Min.	Typ.	Max.	Unit
Supply Voltage	V <sub>CC</sub>	4.5	-	13.2	V

## Electrical Characteristics

(Unless otherwise specified,  $T_a = 25\text{ }^\circ\text{C}$ ,  $V_{CC} = 12\text{V}$ ,  $PV_{CC1,2} = 5\text{V}$  & the other conditions & nomenclatures follow the test circuit)

Parameter	Symbol	Conditions	Min.	Typ.	Max.	Unit
Quiescent Current1	ICC1	Stand-by off	-	18	27	mA
Quiescent Current1	ICC2	Stand-by on	-	-	0.5	mA
Stand-by On Voltage	VSTon	-	-	-	0.5	V
Stand-by Off Voltage	VSToff	-	2.0	-	-	V
<b>ACTUATOR DRIVE CIRCUIT</b>						
Output Offset Current	IOO1,4	-	-6	0	+6	mA
Maximum Output Voltage1	VOM1,4	-	3.6	4.0	-	V
Transconductance	GM1,4	$V_{IN} = 100\text{mVp-p}$ , $f=1\text{kHz}$	1.5	1.7	1.9	A/V
<b>PRE OP-AMP (SLED DRIVER)</b>						
Common mode Input Range	VOOM	-	0	-	11.0	V
Input Bias Current	IB	-	-300	-30	-	nA
Low Level Output Voltage	VOL	-	-	0.1	0.3	V
Output Source Current	ISOURCE	-	1	4	-	mA
Output Sink Current	ISINK	-	5	10	-	mA
<b>SLED DRIVE CIRCUIT</b>						
Output Offset	VOF2	-	-100	0	+100	mV
Maximum Output Voltage2	VOM2	-	10.0	10.9	-	V
Closed loop Voltage Gain1	GVLO2	$V_{IN} = 100\text{mVp-p}$ , $f=1\text{kHz}$	18.0	20.0	22.0	dB
<b>Loading DRIVE CIRCUIT</b>						
Output Offset Voltage1	VOF3	-	-50	0	50	mV
Maximum Output Voltage 3	VOM3	-	3.6	4.0	-	V
Closed loop Voltage Gain 2	GVLO3	$V_{IN} = 100\text{mVp-p}$ , $f=1\text{KHz}$	13.5	15.5	17.5	dB

## Application Information

### 1. Reference Input & Stand-by Function

- Reference input (PIN 27)  
The applied voltage at the reference input pin must be between 0.8V and 6.5V, when  $V_{CC}=8.5V$ .
- Stand-by input (PIN 28)  
The following input conditions must be satisfied for the normal stand-by function.

Stand-by input voltage	Below 0.5V or OPEN	Stand-by function is activated so the bias block and the power block are disabled
Stand-by input voltage	Above 2.0V	Normal operation

### 2. Protection Function

Thermal shutdown (TSD)

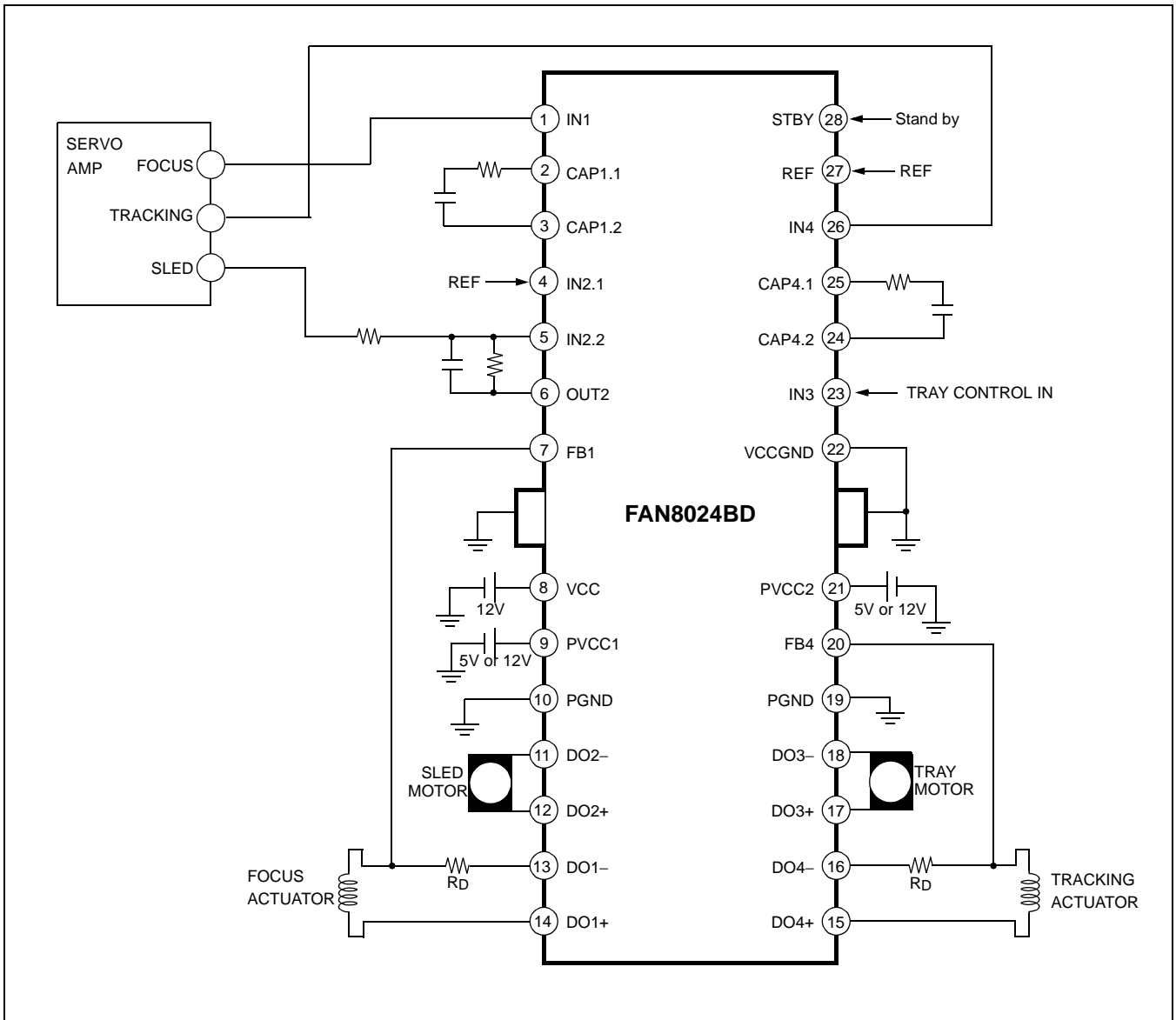
If the chip temperature rises above 175°C, the thermal shutdown (TSD) circuit is activated and the output circuit is in the mute state, that is off state. The TSD circuit has a temperature hysteresis of 25°C

### 3. Separation Of Power Supply

- $PV_{CC1}$  (PIN 9)  
 $PV_{CC1}$  is the power for loading driver. The range is between 5V ~ 12V.
- $PV_{CC2}$  (PIN 21)  
 $PV_{CC2}$  is the power supply for actuator driver that include focus and tracking actuator. The range is between 5V ~ 12V
- $V_{CC}$  (PIN 8)  
 $V_{CC}$  pin supplies power for sled driver and signal logic part. The voltage applied to  $V_{CC}$  must be higher than  $PV_{cc1}$  and  $PV_{CC2}$  at least 1V



# Typical Application Circuits



**DISCLAIMER**

FAIRCHILD SEMICONDUCTOR RESERVES THE RIGHT TO MAKE CHANGES WITHOUT FURTHER NOTICE TO ANY PRODUCTS HEREIN TO IMPROVE RELIABILITY, FUNCTION OR DESIGN. FAIRCHILD DOES NOT ASSUME ANY LIABILITY ARISING OUT OF THE APPLICATION OR USE OF ANY PRODUCT OR CIRCUIT DESCRIBED HEREIN; NEITHER DOES IT CONVEY ANY LICENSE UNDER ITS PATENT RIGHTS, NOR THE RIGHTS OF OTHERS.

**LIFE SUPPORT POLICY**

FAIRCHILD'S PRODUCTS ARE NOT AUTHORIZED FOR USE AS CRITICAL COMPONENTS IN LIFE SUPPORT DEVICES OR SYSTEMS WITHOUT THE EXPRESS WRITTEN APPROVAL OF THE PRESIDENT OF FAIRCHILD SEMICONDUCTOR CORPORATION. As used herein:

1. Life support devices or systems are devices or systems which, (a) are intended for surgical implant into the body, or (b) support or sustain life, and (c) whose failure to perform when properly used in accordance with instructions for use provided in the labeling, can be reasonably expected to result in a significant injury of the user.
2. A critical component in any component of a life support device or system whose failure to perform can be reasonably expected to cause the failure of the life support device or system, or to affect its safety or effectiveness.