

TOSHIBA CMOS DIGITAL INTEGRATED CIRCUIT SILICON MONOLITHIC

T6M14S, JT6M14-CS

T6M14S, JT6M14-CS CMOS SINGLE-CHIP LSI FOR LCD CALCULATOR

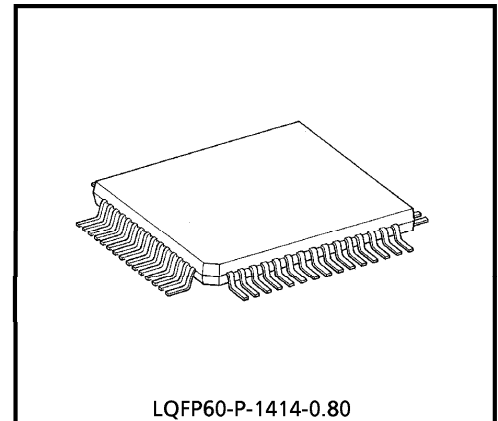
The T6M14S, JT6M14-CS is a single-chip microcomputer for 10-digit 1-memory calculator.

T6M14S, JT6M14-CS can drive the liquid crystal display (LCD).

Single power supply operation, low-power consumption make it suitable for solar battery or battery operated pocketable calculator.

FEATURES

- 10 digits of data and 1 symbol digit for calculator.
- Algebraic calculation mode.
- Punctuation.
- Standard 4 functions (+, -, ×, ÷), square root, percent with automatic add-on/discount, mark up calculation, automatic constant calculations, chain calculations, memory calculations with memory overflow protection.
- Internal keyboard decoding and denouncing.
- Complementary output buffer for direct driving of liquid crystal display (LCD : FEM type -3.0 V, 1/2 bias, 1/3 duty).
- Single power supply (-1.5 V typ.).
- Quad in line flat package (60 pin).
- Very low power consumption (2.85 μ W typ. at wait).
- Very wide range of operating voltage ($V_{SS1} = -1.2 \sim -2.0$ V).



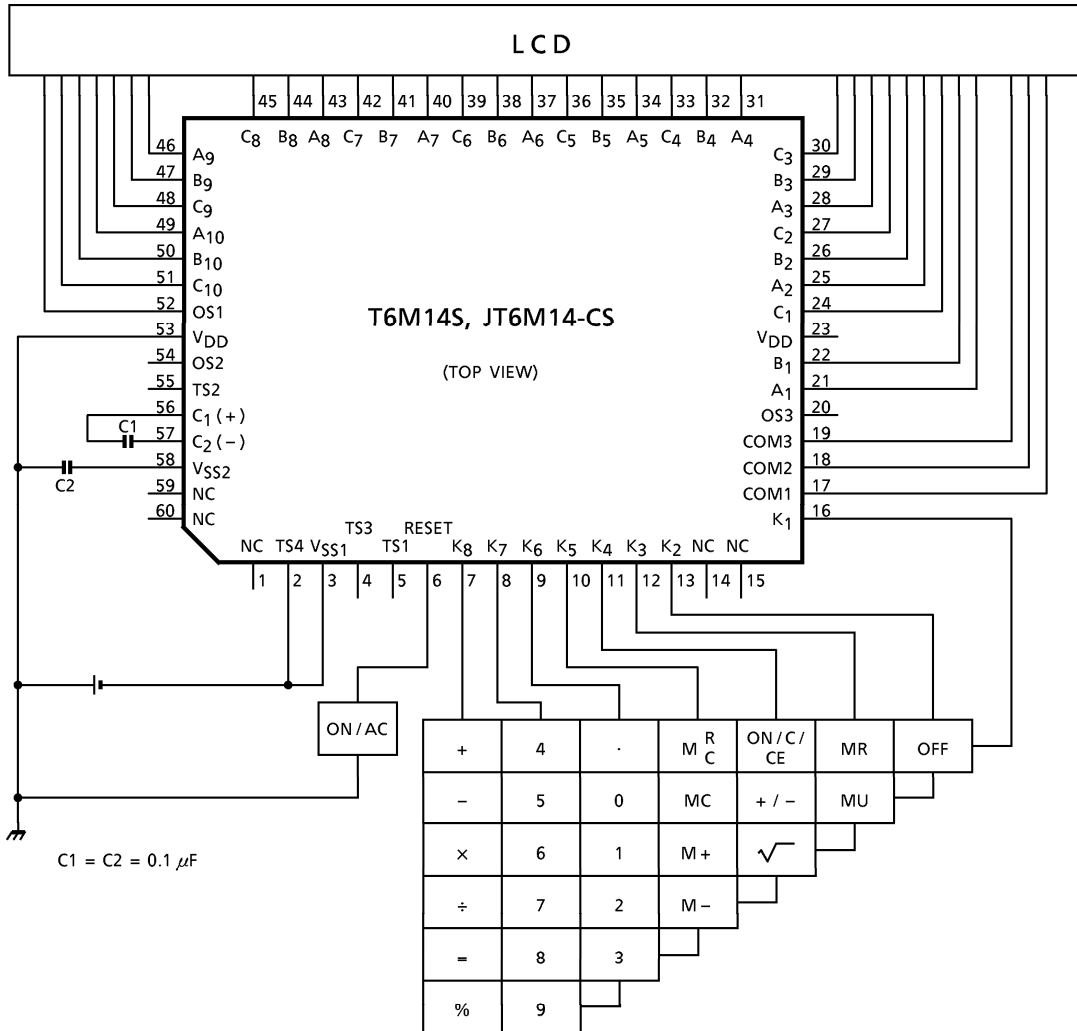
Weight : 0.66 g (Typ.)

980910EBA2

- TOSHIBA is continually working to improve the quality and the reliability of its products. Nevertheless, semiconductor devices in general can malfunction or fail due to their inherent electrical sensitivity and vulnerability to physical stress. It is the responsibility of the buyer, when utilizing TOSHIBA products, to observe standards of safety, and to avoid situations in which a malfunction or failure of a TOSHIBA product could cause loss of human life, bodily injury or damage to property. In developing your designs, please ensure that TOSHIBA products are used within specified operating ranges as set forth in the most recent products specifications. Also, please keep in mind the precautions and conditions set forth in the TOSHIBA Semiconductor Reliability Handbook.
- The products described in this document are subject to the foreign exchange and foreign trade laws.
- The information contained herein is presented only as a guide for the applications of our products. No responsibility is assumed by TOSHIBA CORPORATION for any infringements of intellectual property or other rights of the third parties which may result from its use. No license is granted by implication or otherwise under any intellectual property or other rights of TOSHIBA CORPORATION or others.
- The information contained herein is subject to change without notice.

SYSTEM DIAGRAM

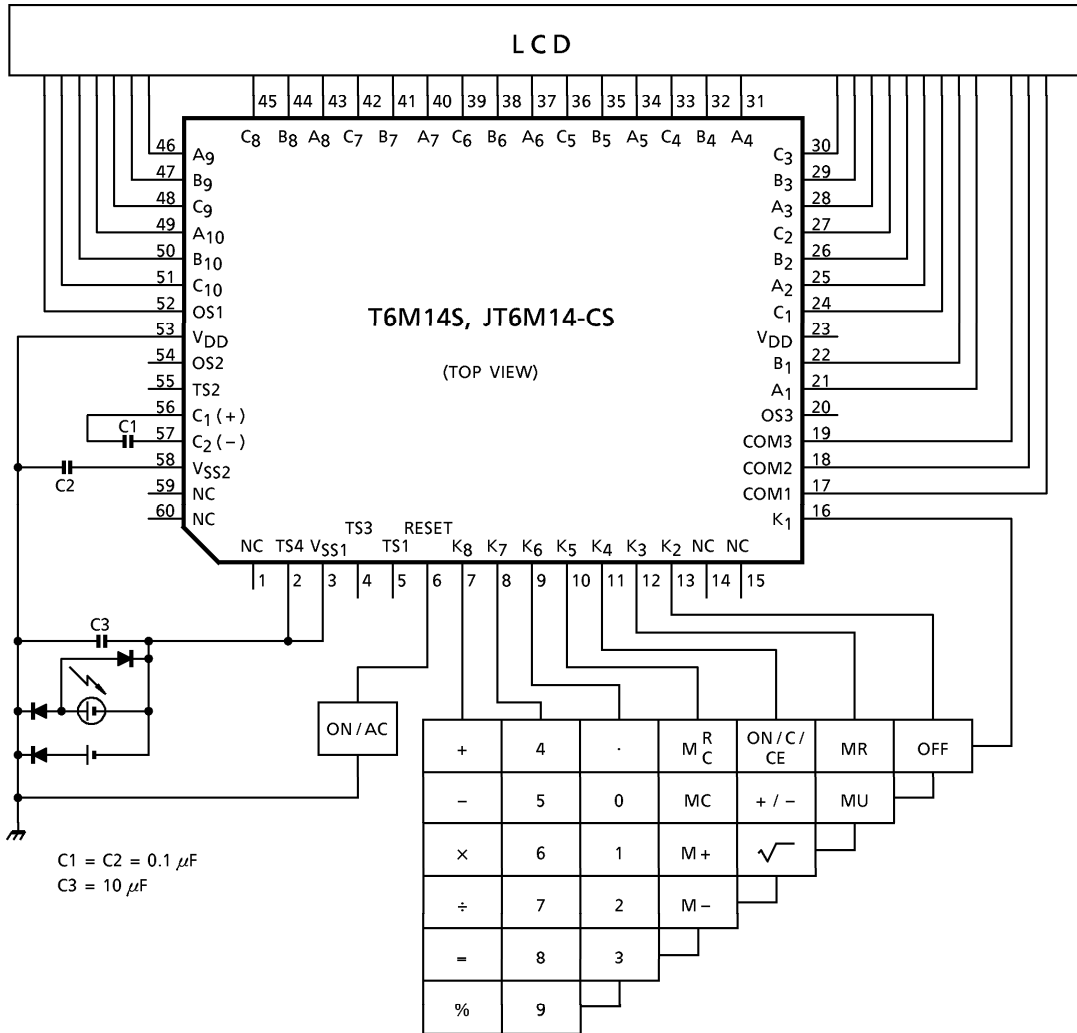
Battery Type



(Note) : TS1 and TS2 have pull up Tr, enable to connect V_{DD}.
 TS3 has pull down Resistance, enable to connect V_{SS1}.
 TS4 { V_{DD}Off mode disable.
 V_{SS1}Off mode enable.

Rkey \leq 20 k Ω (- 1.2 V)
 \leq 135 k Ω (- 1.5 V)

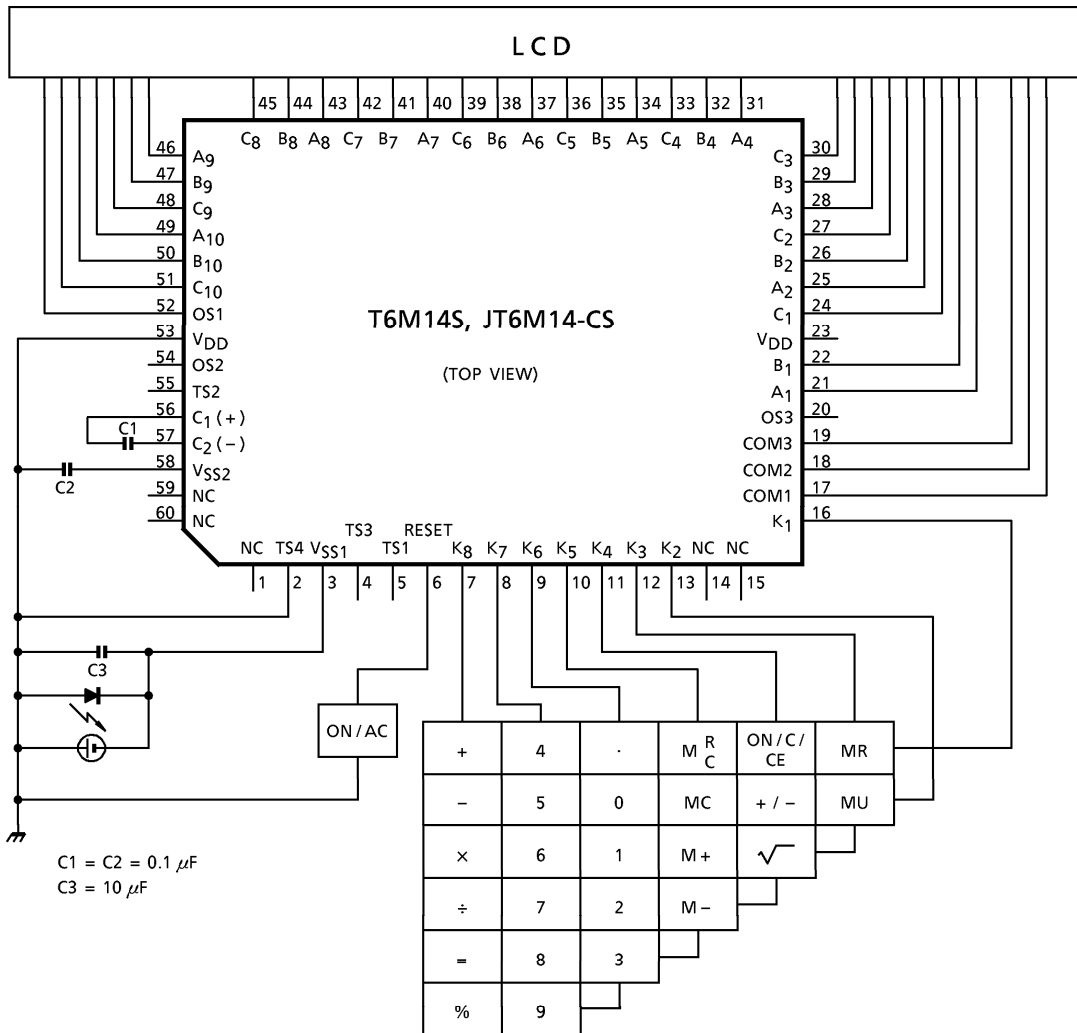
Dual Type



(Note) : TS1 and TS2 have pull up Tr, enable to connect V_{DD}.
 TS3 has pull down Resistance, enable to connect V_{SS1}.
 TS4 { V_{DD}Off mode disable.
 V_{SS1}Off mode enable.

Rkey \leq 20 k Ω (- 1.2 V)
 \leq 135 k Ω (- 1.5 V)

Solar Type

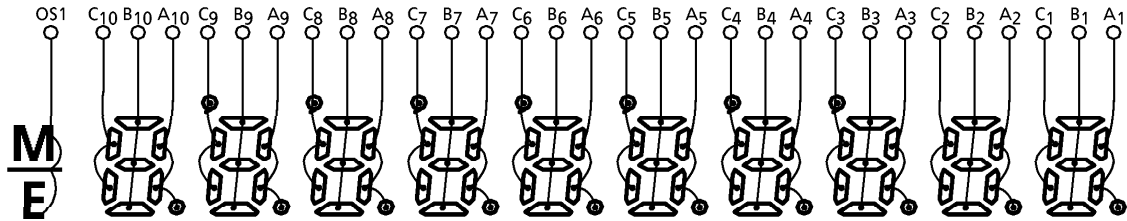


(Note) : TS1 and TS2 have pull up Tr, enable to connect V_{DD}.
 TS3 has pull down Resistance, enable to connect V_{SS1}.
 TS4 $\begin{cases} V_{DD} & \dots\dots\text{Off mode disable.} \\ V_{SS1} & \dots\dots\text{Off mode enable.} \end{cases}$

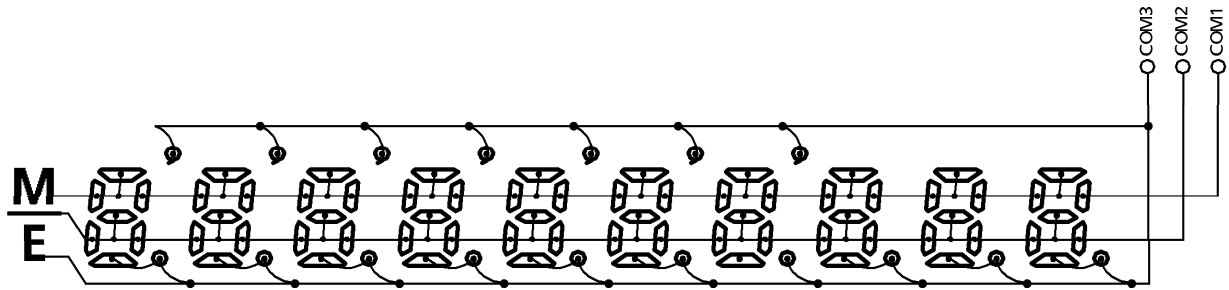
Rkey $\leq 20 \text{ k}\Omega$ (- 1.2 V)
 $\leq 135 \text{ k}\Omega$ (- 1.5 V)

CONNECTION OF LCD

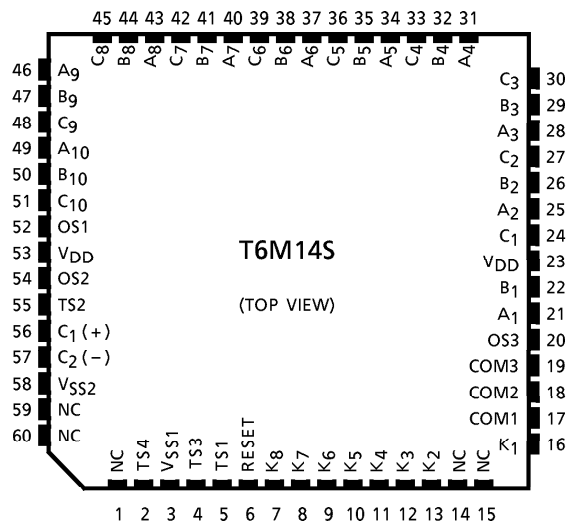
SEGMENT



COMMON



PIN CONNECTION



SPECIFICATION OF CALCULATOR

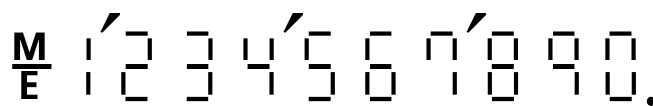
Operational Features

- (1) 10 digits of data and 1 symbol digit.
- (2) Algebraic mode.
- (3) Full floating point.
- (4) Standard 4 functions +, -, ×, ÷.
- (5) Memory calculation.
- (6) Square root.
- (7) Percent with automatic add-on and discount.
- (8) Constant calculation (Automatic constant).
- (9) Chain calculation.
- (10) Leading zero suppression.
- (11) Trailing zero suppression.
- (12) Mark up calculation.

Capacity of Calculation

- | | |
|-------------------------------|---------------------------------------|
| (1) Numeral entry | 10 digits |
| (2) Addition / Subtraction | 10 digits + (-) 10 digits = 10 digits |
| (3) Multiplication / Division | 10 digits × (÷) 10 digits = 10 digits |
| (4) Memory calculation | 10 digits + (-) 10 digits = 10 digits |
| (5) Square root | $\sqrt{10}$ digits = 10 digits |

Display Font



Overflow Condition

- (1) When division by zero is attempted, an overflow condition will result, and error symbol "E" and a zero are displayed.
- (2) When the integer part of result exceeds 10 digits, the display will show 10 most significant digits of result divided by 10^{+10} and "E".
- (3) When the integer part of result exceeds 19 digits, display will show a zero and "E".

- (4) When the integer part of result in memory register exceeds 10 digits at memory calculation, display will show a zero and "E", and previous data will be kept in memory register.
- (5) When an overflow occurs on the way of add-on / discount calculation, display will show a zero and "E".
- (6) When square root of any negative number is attempted, "E" and square root of absolute value are displayed.
- (7) In overflow condition, any operation or numeral entry will be inhibited.

Clearing Overflow Condition

- (1) The resulting overflow condition can be cleared by depressing **ON/C/CE** .
- (2) At memory overflow condition, depression of **MR** or **M^R_C** after **ON/C/CE** will recall the previous memory data.
- (3) At the condition of exceeding capacity overflow occurred in chain calculation, depression of **ON/C/CE** will reset the error symbol "E", and you can continue the calculation using the displayed data.

Speed of Calculation

(1)	Numeral entry				81.35 ms
(2)	Addition	1111111111	+	1111111111	= 135.3 ms
(3)	Multiplication	1	×	9999999999	= 365.5 ms
(4)	Division	9999999999	÷	1	= 427.3 ms
(5)	Memory calculation	9999999999	÷	1	M+ 495.3 ms
(6)	Percentage calculation	1	+	9999999999	% 411.3 ms
(7)	Square root			9999999999	√ 360.45 ms

Keys for Calculator

- (1) Data Keys

The data keys consist of numeral keys **0** through **9** and a decimal point key **.**. The first of a sequence of data keys will clear the contents of display register before being entered. The decimal point key will be accepted the first time it is depressed during calculations.

- (2) Arithmetic Operation Keys

The arithmetic operation keys include the plus **+**, minus **-**, multiply **×**, divide **÷**, equal **=**, percent **%**, square root **√**, memory add **M+**, memory subtract **M-**, sign change **+ / -**, and mark up **MU**.

- [+]** Depression of this key conditions the calculator for addition of display register to upper register.
If the calculator was previously conditioned for add, subtract, multiply or divide, those operation would be performed with the resultant intermediate sum, difference, product or quotient displayed and previous modes and reset, and calculator stores add command.
In the successive depressions of this key, the first will perform the previously enabled mode and more than twice depressions will be ignored.
- [-]** Depression of this key performs the same function as the **[+]** key with the exception that calculator stores subtract mode.
- [×]** Depression of this key conditions the calculator for multiplication of upper register and display register.
If the calculator was previously conditioned for add, subtract multiply or divide, those operation would be performed with the resultant intermediate sum, difference, product or quotient displayed.
And then set the multiply mode.
- [÷]** Depression of this key performs a similar function as the **[×]** key except that division of upper register by display register is either set up or performed and the divide mode is activated.
- [=]** Depression of this key following numeral entry will perform the previously enabled mode. If no number has been entered, the displayed number will be used to perform the previously enabled mode. If no mode are enabled, this key will be ignored. If multiplication or division are enabled, constant mode operations are performed by termination a sequence of operations with the **[=]** key, entering a new number and depressing the **[=]** key. Any key sequence terminated with, **[=]** key will not require the use of **[ON/C/CE]** key before a new operation sequence can be initiated.
- [%]** If the calculator was previously conditioned for addition, or subtraction or multiplication or division, **[%]** calculations would be performed as follows.

$$a + b \text{ [%] } a + a \cdot b / 100$$

$$a - b \text{ [%] } a - a \cdot b / 100$$

$$a \times b \text{ [%] } a \cdot b / 100$$

$$a \div b \text{ [%] } 100 a / b$$
If no mode are enabled, this key will be ignored. If multiplication or division are enabled, constant mode operations are performed by terminating a sequence of operation with the **[%]** key, entering new number and depressing the **[%]** key.

- M+** Depression of this key will perform the previously enabled mode and add the result to memory register and leave the result in the display register.
If no modes are enabled, the displayed number is added to memory register by this key.
Any key sequence terminated with **M+** will not require the use of the **ON/C/CE** key before a new operation sequence can be initiated.
- M-** Depression of this key will perform the same function as the **M+** with the exception that the calculator result or displayed number is subtracted from the memory register.
- √** Depression of this key calculated the square root of number displayed without changing modes of operation.
Depression of this key following **+**, **-**, **×**, or **÷** keys will transfer the contents of display register to upper register and calculate the square root of number displayed.
The entry of a new number following this key clear the previous display.
- + / -** Depression of this key will change the sign of display register.

(3) Command Function Keys

The command function keys include the clear entry/clear all **ON/C/CE**, recall/clear memory **M_RC**, recall memory **MR**, clear memory **MC**.

- MR**, **M_RC** Depression of this key following **+**, **-**, **×** or **÷** will transfer the contents of display register to upper register and recall the contents of memory register to display register.
M_RC key or **MR** following **=**, **%**, **M+**, **M-**, **MU** or any number key will recall the contents of memory register to the display register without affecting any other operations in progress.
Successive depressions of **M_RC** key will clear the memory register.
- CM** Depression of this key will clear the memory register.
- ON/C/CE** Depression of this key after **MR**, **√**, **□**, or numeral keys will clear the display register.
You can reset the error symbol "E" if you depress **ON/C/CE** at the condition of exceeding capacity error.
- OFF** Depression of this key will off the LSI.

MU

This key performs mark up calculation in special function.
The function shows as follows.

$$a \text{ [MU] } b \text{ [%] } a / (1 - b / 100)$$

If **=** key is depressed after this calculation, the answer will be as follows.

$$\dots a / (1 - b / 100) \times \frac{b}{100}$$

And if calculator is previously conditioned for subtraction, **MU** calculations will be performed as follows.

$$a - b \text{ [MU] } (a - b) / a \times 100$$

Arithmetic Operations

1. Addition

Key Op.	Display
A	A
+	A
B	B
+	A + B
C	C
=	A + B + C
D	D
+	D
E	E
+	D + E
=	D + E

2. Subtraction

(1)	Key Op.	Display
	A	A
	-	A
	B	B
	-	A - B
	C	C
	=	A - B - C
	-	A - B - C
	D	D

	Key Op.	Display
	$\boxed{+ / -}$	- D
	$\boxed{-}$	A - B - D + D
	$\boxed{=}$	- (A - B - C + D)
3. Multiplication		
(1)	A	A
	$\boxed{\times}$	A
	B	B
	$\boxed{=}$	A·B
	$\boxed{+}$	A·B
	C	C
	$\boxed{=}$	A·B + C
(2)	$\boxed{-}$	0.
	A	A
	$\boxed{\times}$	- A
	B	B
	$\boxed{=}$	- A·B
4. Division		
(1)	A	A
	$\boxed{\div}$	A
	B	B
	$\boxed{=}$	A / B
(2)	$\boxed{-}$	0.
	A	A
	$\boxed{\div}$	- A
	B	B
	$\boxed{=}$	- A / B
5. Power calculation		
(1)	A	A
	$\boxed{\times}$	A
	$\boxed{=}$	A ²

	Key Op.	Display
	$\boxed{=}$	A^3
(2)	A	A
	$\boxed{\div}$	A
	$\boxed{=}$	$1/A$
	$\boxed{=}$	$1/A^2$
(3)	$\boxed{-}$	0.
	A	A
	$\boxed{\times}$	-A
	$\boxed{=}$	A^2
	$\boxed{=}$	$-A^3$
(4)	$\boxed{-}$	0.
	A	A
	$\boxed{\div}$	-A
	$\boxed{=}$	$-1/A$
	$\boxed{=}$	$1/A^2$
(5)	A	A
	$\boxed{\times}$	A
	$\boxed{=}$	A^2
	$\boxed{\times}$	A^2
	$\boxed{=}$	A^4
6. Mixed calculation		
(1)	A	A
	$\boxed{\times}$	A
	B	B
	$\boxed{+}$	$A \cdot B$
	C	C
	$\boxed{\div}$	$A \cdot B + C$
	D	D
	$\boxed{-}$	$\frac{A \cdot B + C}{D}$
	E	E

7. Constant calculation

	Key Op.	Display
	$\frac{A \cdot B + C}{D} - E$	
(1)	A	A
	\times	A
	B	B
	$=$	A·B
	C	C
	$=$	A·C
(2)	$-$	0.
	A	A
	\times	-A
	B	B
	$=$	-A·B
	C	C
	$=$	-A·C
(3)	A	A
	\div	A
	B	B
	$=$	A / B
	C	C
	$=$	C / B
	D	D
	\times	D
	$=$	D ²
(4)	A	A
	$+$	A
	B	B
	$=$	A + B
	C	C
	$=$	C

	Key Op.	Display
(5)	A	A
	$\square -$	A
	B	B
	$\square =$	A - B
	C	C
	$\square =$	C
(6)	A	A
	$\square \times$	A
	B	B
	$\square =$	A · B
	C	C
	$\square \times$	C
	D	D
	$\square =$	C · D
	E	E
	$\square =$	C · E
	$\square \times$	C · E
	F	F
	$\square =$	C · E · F
	G	G
	$\square \div$	G
H	H	
$\square =$	G / H	
I	I	
$\square =$	I / H	
(7)	A	A
	$\square \times$	A
	B	B
	$\square \%$	A · B / 100
	C	C

Key Op.	Display
$\boxed{\%}$	$A \cdot C / 100$
D	D
$\boxed{\div}$	D
E	E
$\boxed{\%}$	$100 \cdot D / E$
F	F
$\boxed{\%}$	$100 \cdot F / E$

8. Mark-up / Discount calculator

(1)	A	A
	$\boxed{\times}$	A
	B	B
	$\boxed{+}$	$A \cdot B$
	$\boxed{=}$	$A + A \cdot B$
(2)	A	A
	$\boxed{\times}$	A
	B	B
	$\boxed{-}$	$A \cdot B$
	$\boxed{=}$	$A - A \cdot B$
(3)	A	A
	$\boxed{\times}$	A
	B	B
	$\boxed{\%}$	$A \cdot B / 100$
	$\boxed{+}$	$A \cdot B / 100$
(4)	$\boxed{=}$	$A + A \cdot B / 100$
	A	A
	$\boxed{\times}$	A
	B	B
	$\boxed{\%}$	$A \cdot B / 100$
	$\boxed{-}$	$A \cdot B / 100$
	$\boxed{=}$	$A - A \cdot B / 100$

	Key Op.	Display
(5)	A	A
	$\boxed{+}$	A
	B	B
	$\boxed{\%}$	$A + A \cdot B / 100$
(6)	A	A
	$\boxed{-}$	A
	B	B
	$\boxed{\%}$	$A - A \cdot B / 100$

9. Memory calculation

	Key Op.	Display	Memory
(1)	A	A	0.
	$\boxed{M+}$	A (M)	A
	B	B (M)	A
	$\boxed{M+}$	B (M)	A + B
	C	C (M)	A + B
	$\boxed{M-}$	C (M)	A + B - C
	D	D (M)	A + B - C
	\boxed{MRC} or \boxed{MR}	A + B - C (M)	A + B - C
	\boxed{MRC} or \boxed{MC}	A + B - C	0.
	(2)	A	A
$\boxed{+}$		A	0.
B		B	0.
$\boxed{M+}$		A + B (M)	A + B
$\boxed{+}$		A + B (M)	A + B
$\boxed{M+}$		A + B (M)	2 (A + B)
C		C (M)	2 (A + B)
$\boxed{M-}$		C (M)	2 (A + B) - C
(3)	A	A	0.
	$\boxed{\times}$	A	0.
	B	B	0.

	Key Op.	Display	Memory
	$\boxed{M+}$	A·B (M)	A·B
	C	C (M)	A·B
	$\boxed{\times}$	C (M)	A·B
	D	D (M)	A·B
	$\boxed{M-}$	C·D (M)	A·B - C·D
	$\boxed{M^R_C}$ or \boxed{MR}	A·B - D·D (M)	A·B - C·D
	$\boxed{M-}$	A·B - C·D	0.
(4)	A	A	0.
	$\boxed{\times}$	A	0.
	B	B	0.
	$\boxed{=}$	A·B	0.
	C	C	0.
	$\boxed{M+}$	C (M)	C
	$\boxed{=}$	A·C (M)	C
	D	D (M)	C
	$\boxed{M-}$	D (M)	C - D
	$\boxed{=}$	A·D (M)	C - D
(5)	A	A	0.
	$\boxed{M+}$	A (M)	A
	B	B (M)	A
	$\boxed{M+}$	B (M)	A + B
	$\boxed{M^R_C}$ or \boxed{MR}	A + B (M)	A + B
	\times	A + B (M)	A + B
	$\boxed{M^R_C}$ or \boxed{MR}	A + B (M)	A + B
	$\boxed{+}$	(A + B) ² (M)	A + B
	C	C (M)	A + B
	$\boxed{=}$	(A + B) ² + C (M)	A + B
(6)	1.000000001	1.000000001	0.
	$\boxed{M+}$	1.000000001 (M)	1.000000001
	9999999999	9999999999. (M)	1.000000001

	Key Op.	Display	Memory
	$M+$	0. (M_E)	1.000000001
	$ON/C/CE$	0. (M)	1.000000001
	M^R_C or MR	1.000000001 (M)	1.000000001
10. Square root			
(1)	A	A	
	$\sqrt{\square}$	\sqrt{A}	
	B	B	
(2)	A	A	
	\times	A	
	B	B	
	$\sqrt{\square}$	\sqrt{B}	
	$=$	$A\sqrt{B}$	
(3)	A	A	
	\times	A	
	$\sqrt{\square}$	\sqrt{A}	
	B	B	
	$=$	$A \cdot B$	
(4)	$-$	0.	
	A	A	
	$=$	-A	
	$\sqrt{\square}$	$\sqrt{A} (E)$	
(5)	A	A	0.
	$M+$	A (M)	A
	M^R_C or MR	A (M)	A
	\div	A (M)	A
	B	B (M)	A
	$+ / -$	-B (M)	A
	$\sqrt{\square}$	$\sqrt{B} (M_E)$	A
	$ON/C/CE$	0. (M)	A

11. Percentage calculation

	Key Op.	Display	Memory
(1)	A	A	
	$\boxed{\times}$	A	
	B	B	
	$\boxed{\%}$	$A \cdot B / 100$	
	C	C	
	$\boxed{\%}$	$A \cdot C / 100$	
	D	D	
(2)	$\boxed{\%}$	$A \cdot D / 100$	
	A	A	
	$\boxed{\%}$	A	
	B	B	
	$\boxed{\%}$	B	
(3)	C	C	
	$\boxed{\%}$	C	
	A	A	
	$\boxed{-}$	A	
	B	B	
	$\boxed{\%}$	$A - A \cdot B / 100$	
	$\boxed{-}$	$A - A \cdot B / 100$	
$\boxed{+}$	$A - A \cdot B / 100$		
(3)	C		
	$\boxed{\%}$	$\left(A - \frac{A \cdot B}{100}\right) + \frac{C \left(A - \frac{A \cdot B}{100}\right) \cdot C}{100}$	

12. Key correction

(1)	A	A	0.
	$\boxed{\times}$	A	0.
	$\boxed{\div}$	A	0.
	$\boxed{-}$	A	0.
	$\boxed{+}$	A	0.
	$\boxed{\sqrt{\quad}}$	\sqrt{A}	0.

Key Op.	Display	Memory
$M+$	$A + \sqrt{A} (M)$	$A + \sqrt{A}$
$+ / -$	$-(A + \sqrt{A}) (M)$	$A + \sqrt{A}$
M_C^R or MR	$A + \sqrt{A} (M)$	$A + \sqrt{A}$
M_C^R or MR	$A + \sqrt{A}$	0.
B	B	0.
$+$	B	0.
$-$	B	0.
\times	B	0.
\div	B	0.
$=$	1/B	0.

13.Others

(1)	A	A
	$+$	A
	$=$	A
(2)	A	A
	\times	A
	\div	A
	$=$	1/A
(3)	A	A
	$\%$	A
	$+$	A
	$=$	A
(4)	A	A
	\times	A
	$-$	A
	$=$	-A
(5)	A	A
	\div	A
	$-$	A

	Key Op.	Display	Memory
	$\boxed{=}$	- A	
(6)	A	A	
	$\boxed{\times}$	A	
	$\boxed{ON/C/CE}$	0.	
	B	B	
	$\boxed{=}$	B	
(7)	A	A	
	$\boxed{\times}$	A	
	B	B	
	$\boxed{ON/C/CE}$	0.	
	C	C	
	$\boxed{=}$	A·C	

14. Mark Up Calculation

(1)	A	A	
	\boxed{MU}	A	
	B	B	
	$\boxed{\%}$	$A / (1 - B / 100)$	
	\boxed{MU}	$A / (1 - B / 100)$	
	C	C	
	$\boxed{\%}$	$\frac{A / (1 - B / 100)}{1 - C / 100}$	
(2)	A	A	
	\boxed{MU}	A	
	B	B	
	$\boxed{\%}$	$A / (1 - B / 100)$	
	$\boxed{=}$	$A / (1 - B / 100) \times \frac{b}{100}$	
	$\boxed{=}$	$A / (1 - B / 100) \times \frac{b}{100}$	
(3)	A	A	
	$\boxed{-}$	A	
	B	B	
	\boxed{MU}	$\frac{A - B}{A} \times 100$	

Key Chattering Protection

- (1) At time of key on : about 17.5 ms, after key input. ($f\phi$ typ.)
- (2) At time of key off : about 24.0 ms, after completion of the operation ($f\phi$ typ.)
- (3) Simultaneous Keying protection

If 2 or more keys are pressed simultaneously, any key input is not accepted.

MAXIMUM RATINGS

CHARACTERISTICS	SYMBOL	RATING	UNIT
Supply Voltage	V_{SS1}	+ 0.3 ~ - 2.2	V
Input Voltage	V_{IN}	+ 0.3 ~ V_{DD1} - 0.3	V
Operating Temperature	T_{opr}	+ 0.0 ~ 40	°C
Storage Temperature	T_{stg}	- 55 ~ 125	°C

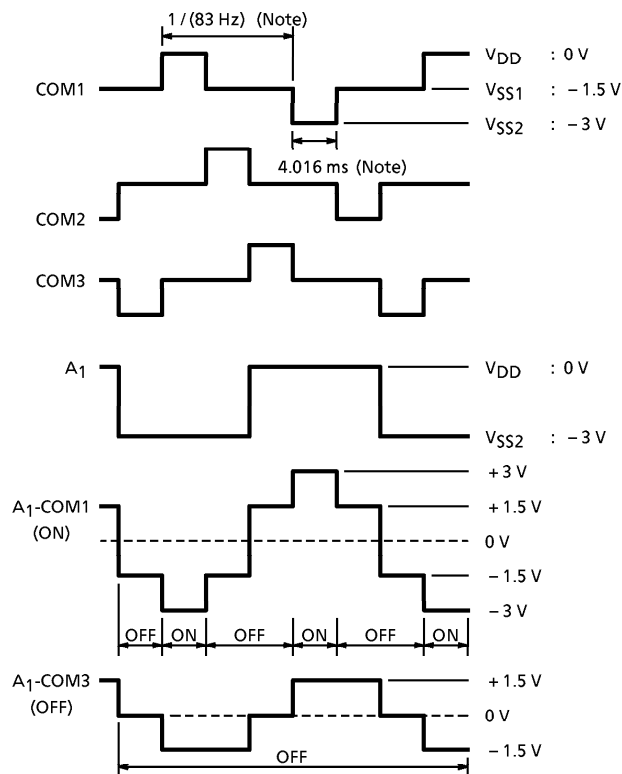
ELECTRICAL CHARACTERISTICS ($V_{SS1} = -1.5V \pm 0.2V$, $V_{SS2} = -3.0V \pm 0.4V$, $V_{DD} = 0V$, $T_a = 25^\circ C$)

CHARACTERISTICS	SYMBOL	TEST CIR-CUIT	PIN NAME	TEST CONDITION	MIN	TYP.	MAX	UNIT	
Supply Voltage	V_{SS1}	—	—	—	- 1.2	- 1.5	- 2.0	V	
VOLTAGE	Input "1"	V_{IH}	$K_2 \sim K_8$, RESET	—	$V_{SS1} + 0.4$	—	V_{SS1}	V	
	Input "0"	V_{IL}	$K_2 \sim K_8$, RESET	—	0	—	- 0.4	V	
	Output "1"	V_{OH}	Segment, Common	—	$V_{SS2} + 0.2$	—	V_{SS2}	V	
	Output "0"	V_{OL}	Segment, Common	—	0	—	- 0.2	V	
	Output "1"	V_{OH}	$K_1 \sim K_8$, RESET	—	$V_{SS2} + 0.2$	—	V_{SS2}	V	
	Output "0"	V_{OL}	$K_1 \sim K_6$, RESET	—	0	—	- 0.2	V	
Resistance	Output "1"	R_{OH}	Segment	$V_{OUT} = V_{SS2} + 0.5V$	—	—	70	$k\Omega$	
	Output "0"	R_{OL}	Segment	$V_{OUT} = -0.5V$	—	—	70	$k\Omega$	
	Output "1"	R_{OH}	Common	$V_{OUT} = V_{SS2} + 0.5V$	—	—	70	$k\Omega$	
	Output "0"	R_{OL}	Common	$V_{OUT} = -0.5V$	—	—	70	$k\Omega$	
	Pull Down	R_{KH}	—	$K_1 \sim K_8$	$V_{OUT} = 0V$	60	400	1500	$k\Omega$
		RESET	—	RESET	$V_{OUT} = 0V$	180	300	420	
Output "0"	R_{OL}	—	$K_1 \sim K_6$	$V_{OUT} = -0.5V$	—	—	10	$k\Omega$	

CHARACTERISTICS	SYMBOL	TEST CIRCUIT	PIN NAME	TEST CONDITION	MIN	TYP.	MAX	UNIT	
Supply Current 1 (On Display)	I _{DD1}	—	—	V _{SS1} = -1.5 V (No Keys)	—	-1.9	-2.9	μA	
Supply Current 2 (Operation)	I _{DD2}	—	—	V _{SS1} = -1.2 V (Peak OF All 9 $\sqrt{\quad}$)	—	-3.7	-4.7	μA	
Supply Current 3 (Off)	I _{DD3}	—	—	V _{SS1} = -1.5 V (Off Status)	—	-0.5	-2.0	μA	
Oscillating Frequency	f _{osc} (WAIT)	—	—	V _{SS1} = -1.5 V	On Display	5.4	9	12.6	kHz
	f _{osc} (OP)				On Operating	10.8	18	25.2	
Frame Frequency	f _F	—	—	V _{SS1} = -1.5 V (Wait)	50	83	117	Hz	

WAVEFORMS FOR DISPLAY

Display Device : FEM type LCD -3.0 V, 1/2 bias, 1/3 duty dynamic system



(Note) : $f\phi = 9 \text{ kHz}$

OTHERS

RESET Key

- i) After releasing this key, the cpu is reset and display "0".

PAD LOCATION TABLE

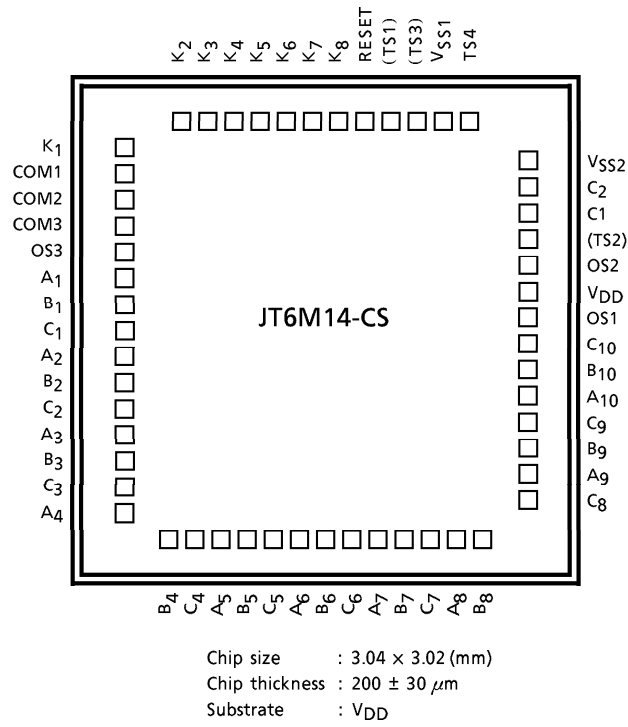
NAME	X POINT	Y POINT
K ₁	- 1291	1093
COM1	- 1291	896
COM2	- 1291	744
COM3	- 1291	592
OS3	- 1291	441
A ₁	- 1291	289
B ₁	- 1291	137
C ₁	- 1291	- 14
A ₂	- 1291	- 166
B ₂	- 1291	- 318
C ₂	- 1291	- 470
A ₃	- 1291	- 621
B ₃	- 1291	- 773
C ₃	- 1291	- 925
A ₄	- 1291	- 1076
B ₄	- 927	- 1249
C ₄	- 776	- 1249
A ₅	- 624	- 1249
B ₅	- 472	- 1249
C ₅	- 320	- 1249
A ₆	- 169	- 1249
B ₆	- 17	- 1249
C ₆	135	- 1249
A ₇	286	- 1249
B ₇	438	- 1249
C ₇	590	- 1249
A ₈	741	- 1249
B ₈	893	- 1249
C ₈	1254	- 1077

(μm)

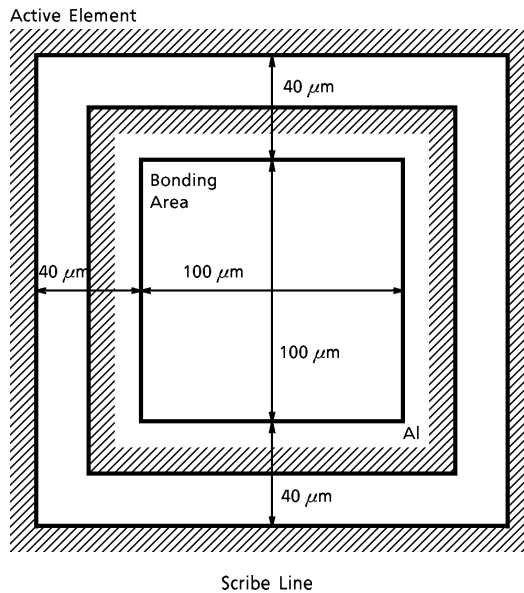
NAME	X POINT	Y POINT
A ₉	1254	- 925
B ₉	1254	- 774
C ₉	1254	- 622
A ₁₀	1254	- 470
B ₁₀	1254	- 319
C ₁₀	1254	- 167
OS1	1254	- 15
V _{DD}	1254	137
OS2	1254	288
(TS2)	1254	489
C ₁	1254	697
C ₂	1254	898
V _{SS2}	1254	1100
K ₂	- 719	1249
K ₃	- 568	1249
K ₄	- 416	1249
K ₅	- 264	1249
K ₆	- 112	1249
K ₇	39	1249
K ₈	191	1249
RESET	343	1249
(TS1)	494	1249
(TS3)	646	1249
V _{SS1}	798	1249
TS4	949	1249

(Note) : () Do not connect.

CHIP LAYOUT



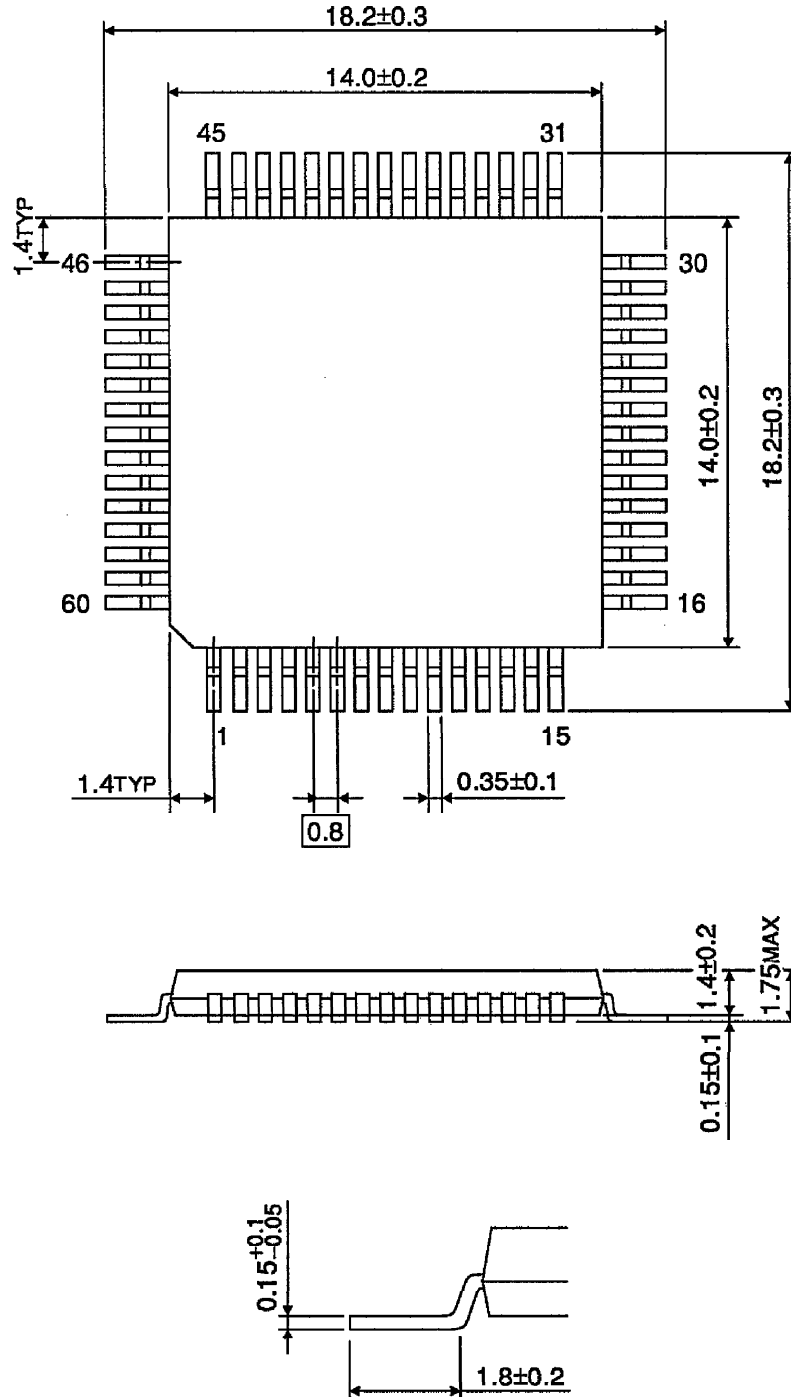
PAD LAYOUT



PAD Pitch 160 μm

PACKAGE DIMENSIONS
LQFP60-P-1414-0.80

Unit : mm



Weight : 0.66 g (Typ.)