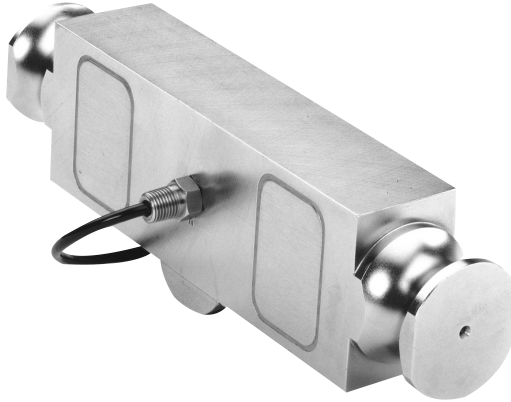


## Double-Ended Shear Beam Load Cell



### FEATURES

- Rated capacities of 25,000 to 125,000 pounds, 10 to 45 metric tons
- Center supported, end-link loaded
- Integral conduit adaptor
- Trade certified for NTEP Class IIIIL:10,000 divisions and OIML R60 3,000 divisions
- *Sensorgage*™ sealed to IP67 standards
- *Cell Guard*™ Two Year Warranty
- Factory Mutual System Approved for Classes I, II, III; Divisions 1 and 2; Groups A through G. Also, Non-incendive ratings (No Barriers!).
- ISO 9001:2000 Certified manufacturing facilities

### APPLICATIONS

- Truck scales
- Railroad track scales
- "Legal for Trade" tank, bin and hopper weighing

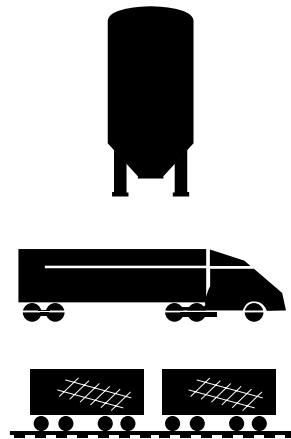
RATED CAPACITIES	
lbs	[kgs/metric tons]
25K, 40K, 50K, 60K, 75K, 100K, 125K	10t, 25t, 35t, 45t

FULL SCALE OUTPUT (FSO)	
lbs	[kgs/metric tons]
3.0 mV/V ± 0.25%	3.0 mV/V ± 0.25%

ISO  
9001:2000



Factory  
Mutual  
System  
Approved





<b>ACCURACY CLASS</b>			
	<b>STANDARD</b>	<b>NTEP I I I L</b>	<b>OIML R60</b>
Max. No. Verification Intervals	--	5,000 Multiple	3,000
Combined Error % FSO	≤ 0.03	--	--
Nonlinearity % FSO	≤ 0.03	--	--
Hysteresis % FSO	≤ 0.02	--	--
Creep Error % FSO	≤ 0.03 in 20 minutes	--	--
Temperature Effect on:			
• Zero % FSO/°F	≤ 0.0015	--	--
• Output % of Load/°F	≤ 0.0008	--	--

### PERFORMANCE SPECIFICATIONS

**Non-Repeatability % FSO:** ≤ 0.1

**Zero Balance % FSO:** ≤ 1.0

**Insulation Resistance:** >1000 Mohms at 50 VDC

**Compensated Temperature Range:** 14° to 104°F [-10° to 40°C]

**Operating Temperature Range:** 0° to 150°F [-18° to 65°C]

**Storage Temperature Range:** -60° to 185°F [-50° to 85°C]

**Input Resistance:** 686-714 Ohms

**Output Resistance:** 699-707 Ohms

**Recommended Excitation Voltage:** 10 to 15 Volts DC

**Maximum Excitation Voltage:** 25 Volts DC

**Sideload Rejection Ratio:** 500:1

**Safe Sideload:** 100% of Rated Capacity

**Safe Overload:** 150% of Rated Capacity

**Ultimate Overload:** 300% of Rate Capacity

**Sealing:** Meets IP67 Standards

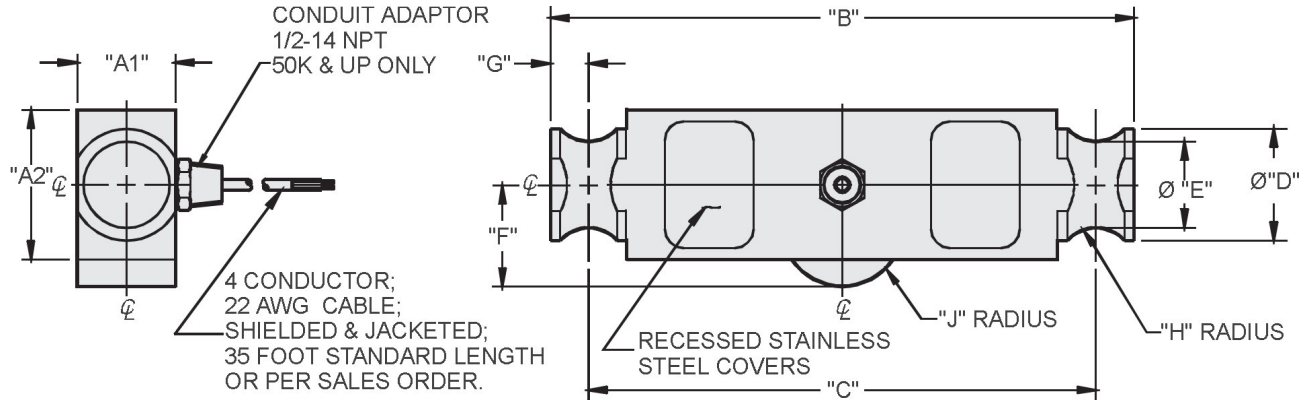
**Material:** High Alloy Tool Steel

**Finish:** Electroless Nickel Plated

<b>CAPACITY</b>												
	<b>A1</b>	<b>A2</b>	<b>B</b>	<b>C</b>	<b>D</b>	<b>E</b>	<b>F</b>	<b>G</b>	<b>H</b>	<b>J</b>	<b>DEFLECTION</b>	<b>WEIGHT</b>
25K - 40K	1.94	2.44	8.25	7.25	2.0	1.63	1.75	0.50	0.50	0.50	0.02	11.0
50K - 75K	1.94	2.94	11.50	10.00	2.2	1.70	2.00	0.75	0.75	1.00	0.04	18.0
100K - 125K	2.90	3.86	14.50	12.50	3.2	2.44	2.75	1.00	1.00	1.50	0.06	42.0
[10t]	[49.3]	[61.9]	[209.6]	[184.2]	[50.8]	[41.4]	[44.5]	[12.7]	[12.7]	[12.7]	[0.5]	[5.5]
[25 - 35t]	[49.3]	[74.7]	[292.1]	[254.0]	[55.9]	[43.2]	[50.8]	[19.1]	[19.1]	[25.4]	[1.1]	[8.2]
[45t]	[73.7]	[98.0]	[368.3]	[317.5]	[81.3]	[62.0]	[69.9]	[25.4]	[25.4]	[38.1]	[1.5]	[19.1]

Dimensions are in inches [mm]. Capacities are in pounds [kg/t]. Deflection is ±10%. Specifications are subject to change. Certified drawings are available.

**DIMENSIONAL OUTLINE DRAWING**



**WIRING**

+ Excitation = Red; - Excitation = Black; + Output = Green; - Output = White

**VISHAY TRANSDUCERS (VT) - SALES OFFICES**

<p><b>VT Americas</b> Covina, CA PH: +1-800-722-0820 FAX: +1-626-332-3418 vt.us@vishaymg.com</p>	<p><b>VT Canada</b> Toronto PH: +1-416-251-2554 FAX: +1-416-251-2690 vt.can@vishaymg.com</p>	<p><b>VT UK</b> Basingstoke PH: +44-125-646-2131 FAX: +44-125-647-1441 vt.uk@vishaymg.com</p>	<p><b>VT Sweden</b> Karlskoga PH: +46-586-630-00 FAX: +46-586-630-99 vt.se@vishaymg.com</p>	<p><b>VT Germany</b> Heilbronn PH: +49-7131-3901-260 FAX: +49-7131-3901-2666 vt.de@vishaymg.com</p>	<p><b>VT France</b> Chartres PH: +33-2-37-33-31-20 FAX: +33-2-37-33-31-29 vt.fr@vishaymg.com</p>
<p><b>VT Spain</b> Madrid PH: +34-91-7218890 FAX: +34-91-7219056 vt.es@vishaymg.com</p>	<p><b>VT Finland</b> Jorvas PH: +358-(0)9-8194-220 FAX: +358-(0)9-8194-2211 vt.fi@vishaymg.com</p>	<p><b>VT Norway</b> Oslo PH: +47-22-21-40-70 FAX: +47-22-21-92-10 vt.no@vishaymg.com</p>	<p><b>VT Israel</b> Netanya PH: +972-9-863-8888 FAX: +972-9-863-8800 vt.il@vishaymg.com</p>	<p><b>VT China</b> Tianjin PH: +86-22-2835-3503 FAX: +86-22-2835-7261 vt.prc@vishaymg.com</p>	<p><b>VT Taiwan*</b> Taipei PH: +886-2-2696-0168 FAX: +886-2-2696-4965 vt.roc@vishaymg.com *Asia except China</p>