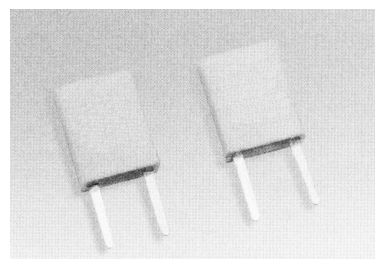


Resonator THT, 2 Pin



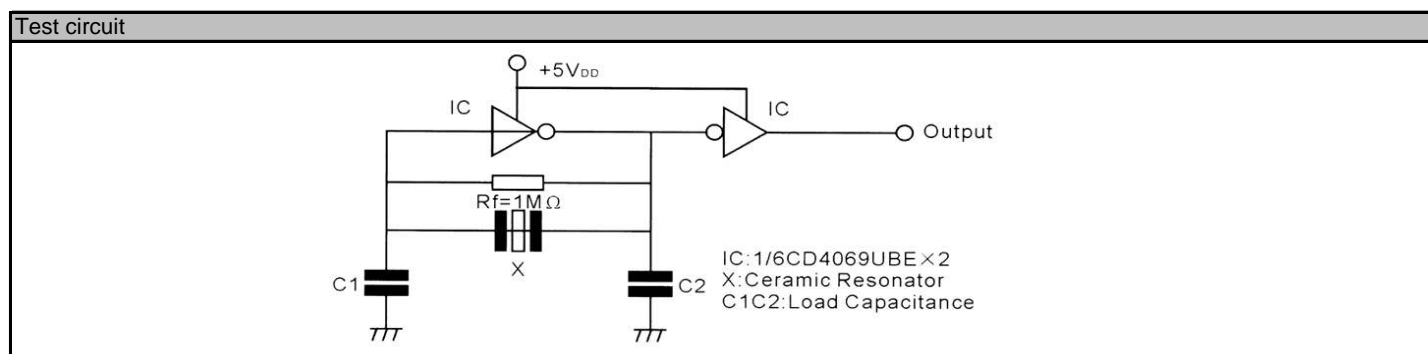
ZTB/E

Features:

- Low cost
- Consumer electronics
- Microprocessor systems
- Automototive applications

Specifications		ZTB/E					
Frequency range (kHz)		190 – 249	250 – 374	375 – 429	430 – 509	510 – 699	700 – 1250
Frequency accuracy (25°C)		+/-1kHz	+/-1kHz	+/-1kHz	+/-2kHz	+/-2kHz	+/-0.5%
Temp. stability (-20°C - +80°C)		+/-0.3%	+/-0.3%	+/-0.3%	+/-0.3%	+/-0.3%	+/-0.3%
Aging (over 10 years)		+/-0.3%	+/-0.3%	+/-0.3%	+/-0.3%	+/-0.3%	+/-0.3%
Capacitance (pF)	C1	330	220	120	100	100	100
	C2	470	470	470	100	100	100

Drawing		Frequency Range	Width W	Thickness T	Height H	Lead Space S	Lead Length L
<p>Dimensions in mm</p>		190 – 249	13.5	3.8	14.7	10.0	8.0
		250 – 374	11.0	3.8	12.2	10.0	7.0
		375 – 400	7.9	3.6	9.3	7.7	7.0
		401 – 699	7.0	3.5	9.0	5.0	4.0 (6.0)
		700 – 1250	5.2	2.8	6.8	2.5	3.5



Order key						
R	- 250.00K	- ZTB/E	- 2.0	- 0.3	- H	- 220/470
Part	Frequency	Type/Package	Frequency tolerance	Temperature tolerance	Temperature range	Load capacitance
R=Resonator	K=KHz M=MHz	ZTB/E series	+/-KHz or % (25°C)	+/-% (Temp. range)	H=-20°C ~ +80°C	pF C1/C2

Remarks: All specifications subject to change without notice!