

**OVERVIEW**

The SM6155P/S is a successive-approximation 8-bit A/D converter, fabricated using the Molybdenum-gate CMOS process. It's low-voltage operation makes it ideal for battery-powered portable equipment.

The output comprises 8-bit 3-state output pins for easy interface with a microprocessor. The 8-bit converted data can be output in either MSB first or LSB first order. Also, it features an 8-channel analog multiplexer built-in.

**FEATURES**

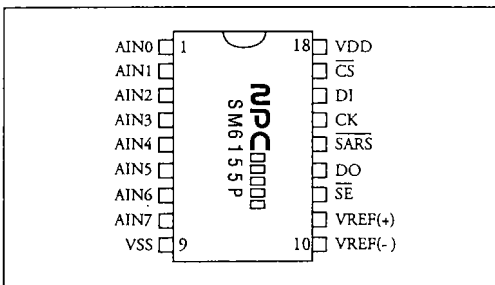
- Charge-redistribution method, successive-approximation A/D converter
- 8-bit resolution
- 18  $\mu$ s conversion time ( $f_{CK} = 1$  MHz)
- 4.5 to 5.5 V operating supply voltage range
- Low current consumption
  - $\leq 2$  mA during conversion
  - Standby current
    - $\leq 100 \mu$ A ( $f_{CK} = 1$  MHz)
    - $\leq 1 \mu$ A (with no input clock)
- High precision
  - $\leq \pm 0.75$  LSB non-linearity error
- Serial input/output type
- 8-channel analog multiplexer built-in
- Molybdenum-gate CMOS process
- 18-pin plastic SOP and DIP

**APPLICATIONS**

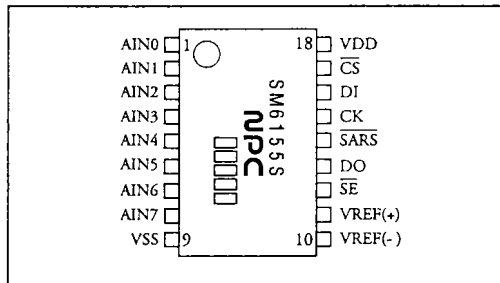
- Data acquisition systems
- Measurement equipment

**PINOUTS**

**18-pin DIP**



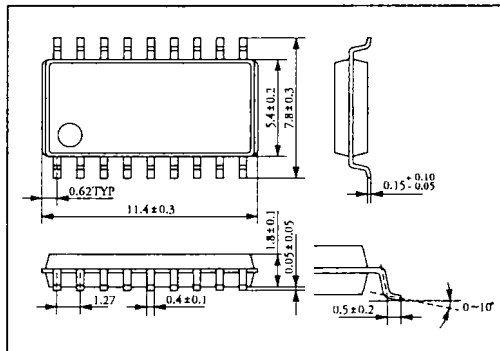
**18-pin SOP**



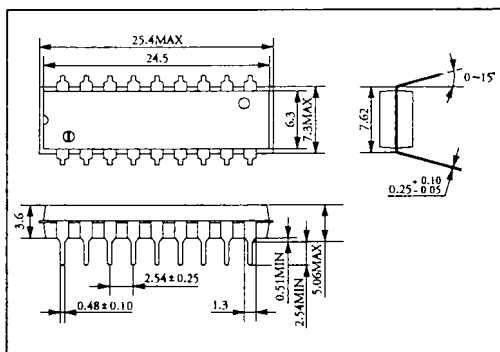
**PACKAGE DIMENSIONS**

Unit: mm

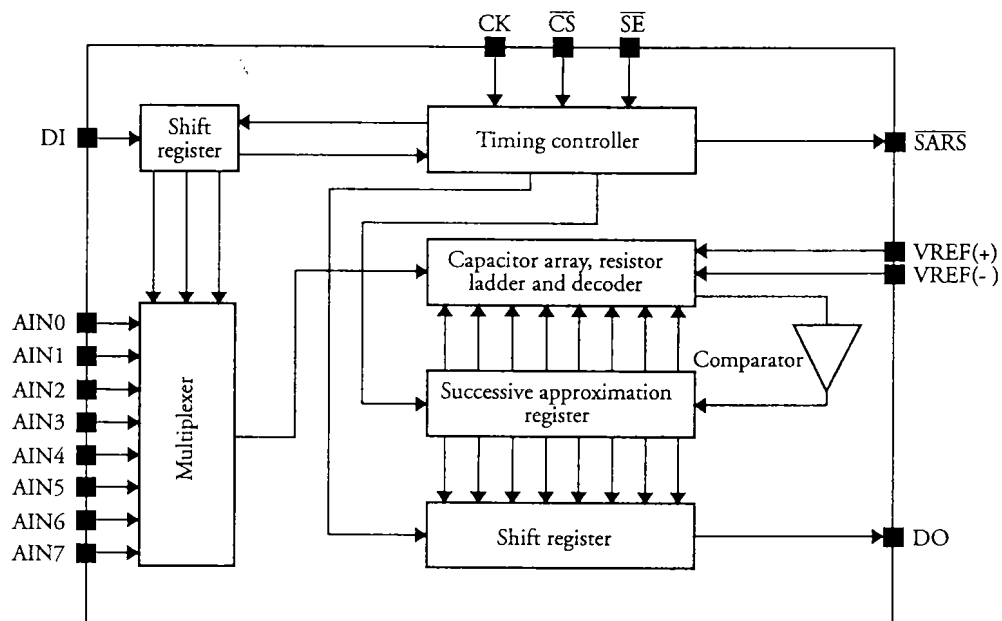
**18-pin SOP**



**18-pin DIP**



## BLOCK DIAGRAM



## PIN DESCRIPTION

Number	Name	Description
1	AIN0	Analog input channel 0
2	AIN1	Analog input channel 1
3	AIN2	Analog input channel 2
4	AIN3	Analog input channel 3
5	AIN4	Analog input channel 4
6	AIN5	Analog input channel 5
7	AIN6	Analog input channel 6
8	AIN7	Analog input channel 7
9	VSS	Ground
10	VREF(-)	Reference voltage input pin (low end)
11	VREF(+)	Reference voltage input pin (high end)
12	SE	Converted data output direction select pin. MSB first when HIGH, and LSB first when LOW.
13	DO	Converted data serial output pin
14	SARS	LOW during conversion. Goes HIGH after conversion ends.
15	CK	Clock input
16	DI	Analog multiplexer select serial input
17	CS	Chip select pin. Normal operation when LOW. Goes HIGH in standby mode. In standby mode, DI and SARS outputs go high impedance, and current consumption is reduced.
18	VDD	Supply voltage

## SPECIFICATIONS

### Absolute Maximum Ratings

$$V_{SS} = 0 \text{ V}$$

Parameter	Symbol	Rating	Unit
Supply voltage range	$V_{DD}$	-0.3 to 7.0	V
Input voltage range	$V_{IN}$	-0.3 to $V_{DD} + 0.3$	V
Output voltage range	$V_{OUT}$	-0.3 to $V_{DD} + 0.3$	V
Storage temperature range	$T_{stg}$	-40 to 125	°C
Power dissipation	$P_D$	250	mW
Soldering temperature	$T_{sld}$	255	°C
Soldering time	$t_{sld}$	10	s

### Recommended Operating Conditions

$$V_{SS} = 0 \text{ V}$$

Parameter	Symbol	Condition	Rating			Unit
			min	typ	max	
Supply voltage	$V_{DD}$		4.5	-	5.5	V
VREF(+)-to-VREF(-) voltage	$V_{REF}$		2.0	-	$V_{DD}$	V
Clock frequency	$f_{CK}$		0.01	-	1.0	MHz
Operating temperature	$T_{opr}$		-20	-	70	V

### DC Electrical Characteristics

$$V_{DD} = 4.5 \text{ to } 5.5 \text{ V, } T_a = -20 \text{ to } 70 \text{ °C unless otherwise noted}$$

Parameter	Symbol	Condition	Rating			Unit	
			min	typ	max		
CK, $\overline{CS}$ , $\overline{SE}$ and DI HIGH-level input voltage	$V_{IH}$		$0.7V_{DD}$	-	-	V	
CK, $\overline{CS}$ , $\overline{SE}$ and DI LOW-level input voltage	$V_{IL}$		-	-	$0.3V_{DD}$	V	
CK, $\overline{CS}$ , $\overline{SE}$ and DI HIGH-level input current	$I_{IH}$	$V_{IH} = V_{DD}$	-	-	1	$\mu\text{A}$	
CK, $\overline{CS}$ , $\overline{SE}$ and DI LOW-level input current	$I_{IL}$	$V_{IL} = V_{SS}$	-1	-	-	$\mu\text{A}$	
$\overline{SARS}$ and DO HIGH-level output voltage	$V_{OH}$	$I_{source} = 0.8 \text{ mA}$	$V_{DD} - 0.4$	-	-	V	
$\overline{SARS}$ and DO LOW-level output voltage	$V_{OL}$	$I_{sink} = 0.8 \text{ mA}$	-	-	0.4	V	
$\overline{SARS}$ and DO high-impedance leakage current	$I_{leak}$	$V_{OUT} = V_{DD}$	-	-	3	$\mu\text{A}$	
		$V_{OUT} = V_{SS}$	-3	-	-	$\mu\text{A}$	
AIN0 to AIN7 analog input current	$I_{AIN}$	$V_{AIN} = V_{DD}$	-	-	3	$\mu\text{A}$	
		$V_{AIN} = V_{SS}$	-3	-	-	$\mu\text{A}$	
Operating current consumption	$I_{DD}$	$f_{CK} = 1 \text{ MHz}$	$V_{DD} = 5.5 \text{ V}$	-	0.5	2.0	mA
			$V_{DD} = 4.5 \text{ V}$	-	0.1	-	mA

SM6155P/S

Parameter	Symbol	Condition	Rating			Unit
			min	typ	max	
Standby current	$I_{DS1}$	$f_{CK} = 1 \text{ MHz}$	-	10	100	$\mu\text{A}$
	$I_{DS2}$	$V_{CK} = V_{SS} \text{ or } V_{DD}$	-	0.1	1	$\mu\text{A}$
VREF(+)-to-VREF(-) reference resistance	$R_{REF}$	Conversion operation	-	16	-	$\text{k}\Omega$
		In standby mode	10	-	-	$\text{M}\Omega$

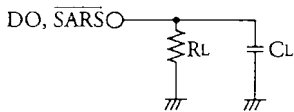
AC Electrical Characteristics

$V_{DD} = 4.5 \text{ to } 5.5 \text{ V}$ ,  $T_a = -20 \text{ to } 70 \text{ }^\circ\text{C}$  unless otherwise noted

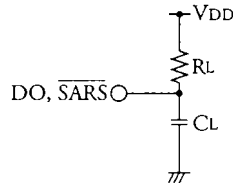
Parameter <sup>1</sup>	Symbol	Condition	Rating			Unit
			min	typ	max	
Output rise time <sup>2</sup>	$t_{TLH}$	$C_L = 20 \text{ pF}$	-	-	100	ns
Output fall time <sup>2</sup>	$t_{THL}$	$C_L = 20 \text{ pF}$	-	-	100	ns
3-state output enable time <sup>3</sup>	$t_{PZH}, t_{PZL}$	$C_L = 20 \text{ pF}, R_L = 1 \text{ k}\Omega$	-	-	200	ns
3-state output disable time <sup>4</sup>	$t_{PHZ}, t_{PLZ}$	$C_L = 20 \text{ pF}, R_L = 1 \text{ k}\Omega$	-	-	200	ns
CK data propagation delay	$t_{PLH}, t_{PHL}$	$C_L = 20 \text{ pF}$	-	-	150	ns
CK to $\overline{\text{SARS}}$ propagation delay	$t_{PLH}, t_{PHL}$	$C_L = 20 \text{ pF}$	-	-	150	ns
Data setup time	$t_S$		100	-	-	ns
Data hold time	$t_H$		100	-	-	ns
$\overline{\text{CS}}$ setup time <sup>5</sup>	$t_{SCS}$		100	-	-	ns

1. All times are measured from when the input control signal output level reaches the 50% point.
2. Rise and fall times are measured between the output level 10% and 90% points.
3. Measured with the following load circuit, when the data output has been 50% converted.
4. Measured with the following load circuit, when the data output has been 10% converted.
5. The setup time is measured from when  $\overline{\text{CS}}$  goes LOW until the first rising edge of CK for which DI is LOW.

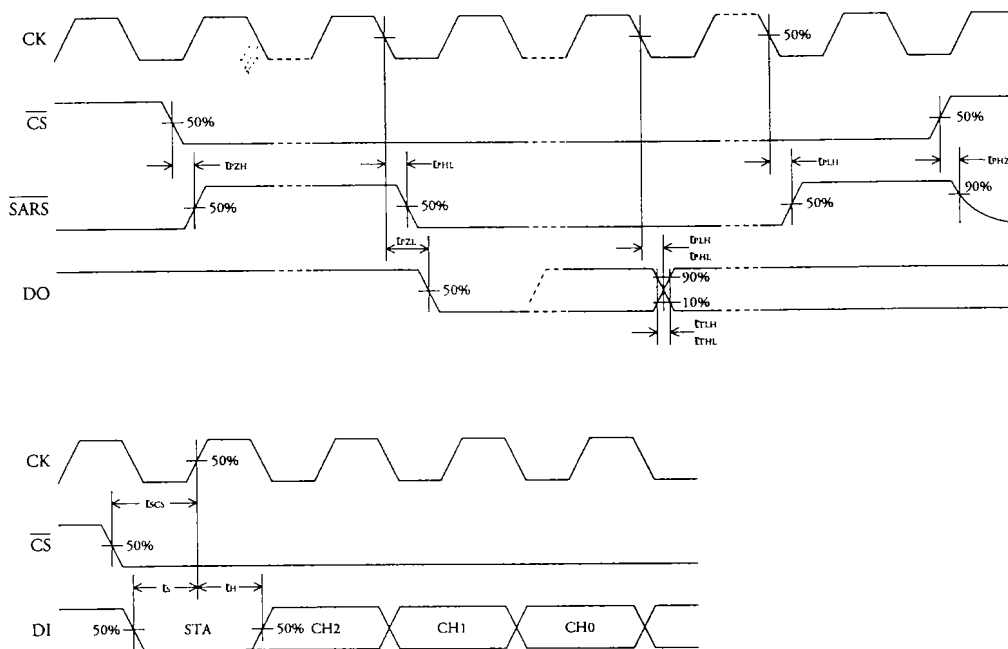
$t_{PHZ}, t_{PZH}$  load circuit



$t_{PLZ}, t_{PZL}$  load circuit



AC Timing



Conversion Characteristics

$V_{DD} = 2.8$  to  $5.5$  V,  $V_{REF(+)} = V_{DD}$ ,  $V_{REF(-)} = V_{SS}$ ,  $T_a = -20$  to  $70$  °C unless otherwise noted

Parameter	Condition	Rating			Unit
		min	typ	max	
Resolution		-	-	8	bits
Non-linearity error		-	-	$\pm 0.75$	LSB
Differential non-linearity error		-	-	$\pm 0.75$	LSB
Offset error <sup>1</sup>		-	-	$\pm 0.75$	LSB
Full-scale error <sup>1</sup>		-	-	$\pm 0.75$	LSB
Conversion time	$f_{CK} = 1$ MHz, $SE = HIGH$ , MSB first output order	-	18	-	$\mu s$
		-	18	-	clock cycles

1. The offset error and full-scale error represent the error from the ideal transition points of 0.5 LSB and 254.5 LSB, respectively.

## FUNCTIONAL DESCRIPTION

When  $\overline{CS}$  is HIGH, outputs DO and  $\overline{SARS}$  are high impedance. This effectively puts the device into power-save state with reduced current consumption.

When  $\overline{CS}$  is LOW, conversion is enabled.  $\overline{SARS}$  goes HIGH and the device waits for the channel select signal on input DI. The channel select serial data signal comprises a LOW-level start bit followed by channel select bits CH2, CH1 and CH0, in that

When  $\overline{SE}$  is LOW, output DO is held high impedance while  $\overline{SARS}$  is LOW. When  $\overline{SARS}$  goes HIGH, the serial data output on DO comprises a LOW-level start bit followed by the 8-bit converted data (LSB first) followed by a HIGH-level stop bit.

The conversion time requires 18 clock cycles from when input DI goes LOW. The conversion cycle, therefore, requires a minimum of 18 cycles when  $\overline{SE}$  is HIGH (MSB first) or 28 cycles when  $\overline{SE}$  is LOW

## 8-channel Analog Multiplexer Switching

The input channel is selected according to serial data input on DI. When  $\overline{CS}$  is LOW, the data signal comprises a LOW-level start bit followed by bits CH2, CH1 and CH0, in that order, synchronized to the CK signal. These bits select analog input signal channel as shown in the following table.

**Input channel select truth table**

Serial input data			Channel
CH2	CH1	CH0	
0	0	0	AIN0
0	0	1	AIN1
0	1	0	AIN2
0	1	1	AIN3
1	0	0	AIN4
1	0	1	AIN5
1	1	0	AIN6
1	1	1	AIN7