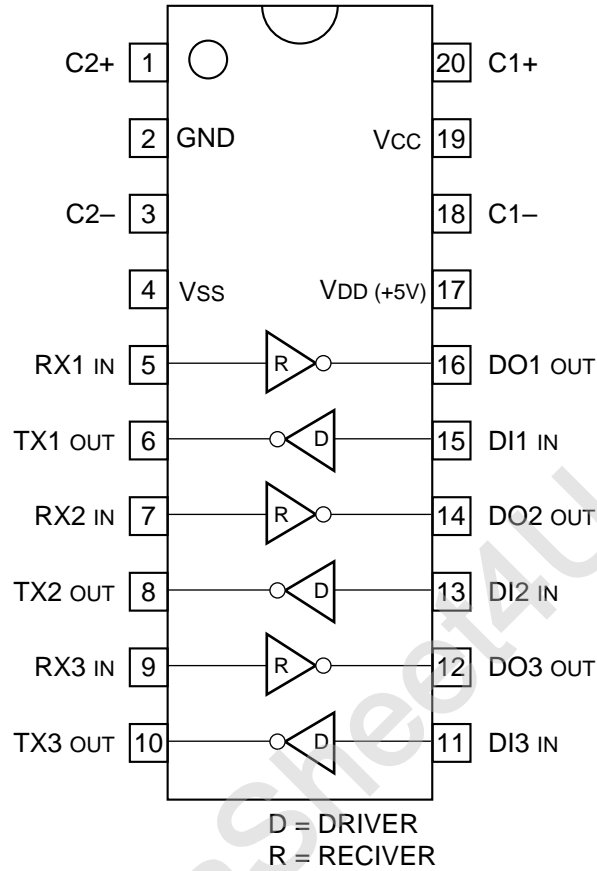

MC145407F
IL22

C-MOS RS-232C DRIVER/RECEIVER — TOP VIEW —



INPUT

DI1 - DI3 ; RS-232C DRIVER INPUTS
RX1 - RX3 ; RECEIVER INPUTS

OUTPUT

DO1 - DO3 ; RS-232C DRIVER OUTPUTS
TX1 - TX3 ; TRANSCEIVER OUTPUTS

OTHER

C1+, C1-, C2+, C2- ; EXTERNAL CAPACITORS
VDD ; POSITIVE SUPPLY
Vss ; NEGATIVE SUPPLY

www.DataSheet4U.com

www.DataSheet4U.com