

HYS[64/72]D64x20GU-x-B

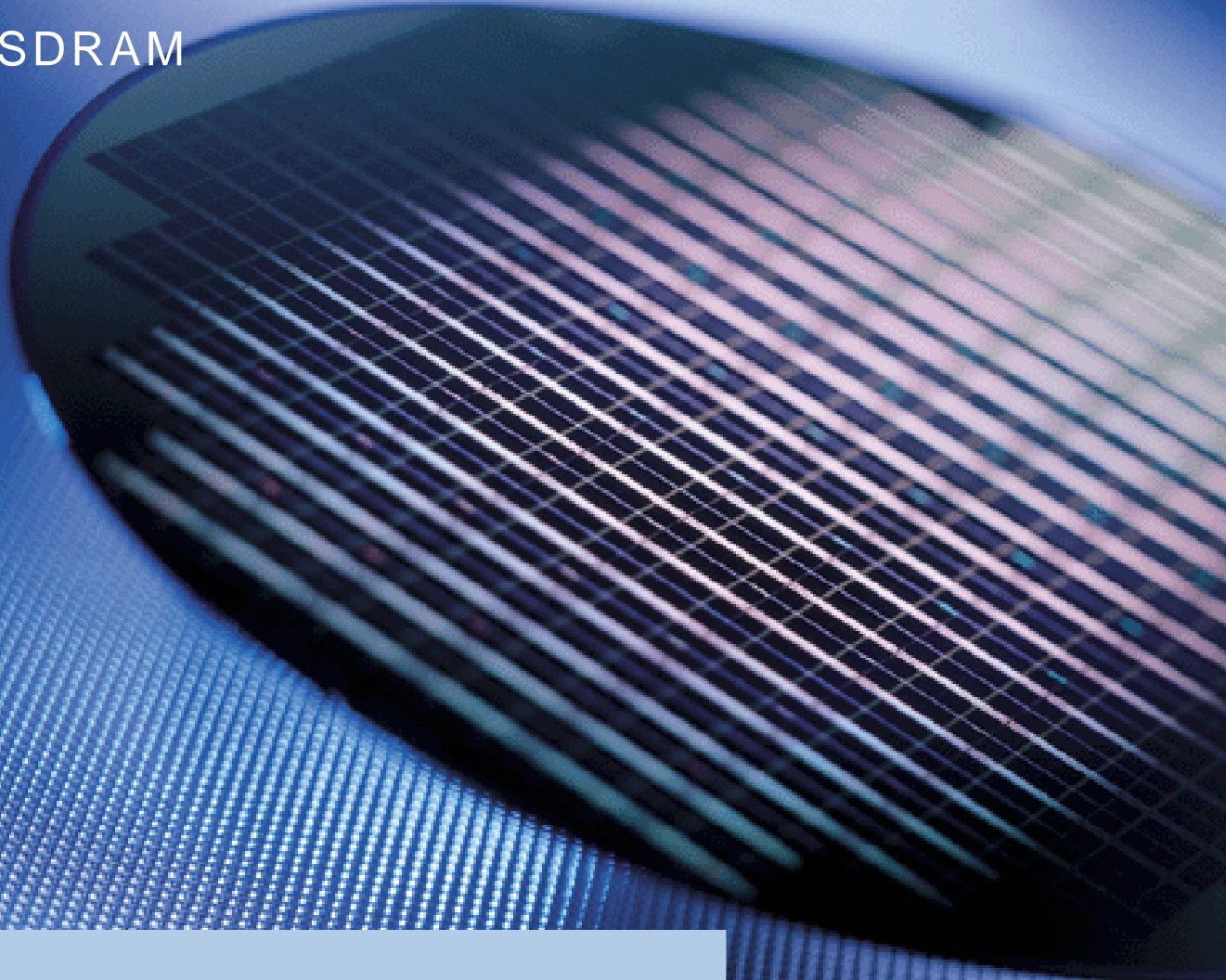
HYS[64/72]D32x00[G/E]U-x-B

HYS64D16301GU-x-B

184-Pin Unbuffered Dual-In-Line Memory Modules

UDIMM

DDR SDRAM



Memory Products



N e v e r s t o p t h i n k i n g .

Edition 2003-07

**Published by Infineon Technologies AG,
St.-Martin-Strasse 53,
81669 München, Germany**

**© Infineon Technologies AG 2003.
All Rights Reserved.**

Attention please!

The information herein is given to describe certain components and shall not be considered as a guarantee of characteristics.

Terms of delivery and rights to technical change reserved.

We hereby disclaim any and all warranties, including but not limited to warranties of non-infringement, regarding circuits, descriptions and charts stated herein.

Information

For further information on technology, delivery terms and conditions and prices please contact your nearest Infineon Technologies Office (www.infineon.com).

Warnings

Due to technical requirements components may contain dangerous substances. For information on the types in question please contact your nearest Infineon Technologies Office.

Infineon Technologies Components may only be used in life-support devices or systems with the express written approval of Infineon Technologies, if a failure of such components can reasonably be expected to cause the failure of that life-support device or system, or to affect the safety or effectiveness of that device or system. Life support devices or systems are intended to be implanted in the human body, or to support and/or maintain and sustain and/or protect human life. If they fail, it is reasonable to assume that the health of the user or other persons may be endangered.

HYS[64/72]D64x20GU-x-B

HYS[64/72]D32x00[G/E]U-x-B

HYS64D16301GU-x-B

184-Pin Unbuffered Dual-In-Line Memory Modules

UDIMM

DDR SDRAM

Memory Products



Never stop thinking.

Revision History:	V1.1	2003-07
Previous Version:	V1.01	2003-01
Page	Subjects (major changes since last revision)	
all	new data sheet template	
all	replace bank by rank if DIMM related (4 bank SDRAM on 1 or 2 rank DIMM)	
10	Table 6: Address Table updated	
19ff	Table 10ff: IDD conditions now in seperate table	
20ff	Table 11ff: added part numbers to IDD tables	
24f	Table 15: split in two tables (now 15 & 16)	
26f	Table 16: add -5 (DDR400)	
29ff	Chapter 4: added part numbers to SPD tables	
41ff	Table 21: set Bytes 47-55 to not used (00hex); set byte 62 to SPD rev. 0.0 (00hex); update Checksum (TPCR)	
8	Table 4: Changed $\overline{\text{RAS}}/\overline{\text{CAS}}/\overline{\text{WE}}$ description to command inputs and amended CLK to CK	
9	Table 5: Changed CLK to CK	
44ff	Figure 7 - Figure 13 Amended and updated package outline drawings	

We Listen to Your Comments

Any information within this document that you feel is wrong, unclear or missing at all?
 Your feedback will help us to continuously improve the quality of this document.
 Please send your proposal (including a reference to this document) to:

techdoc.mp@infineon.com



Table of Contents

1	Overview	6
1.1	Features	6
1.2	Description	6
2	Pin Configuration	8
3	Electrical Characteristics	17
3.1	Operating Conditions	17
3.2	Current Conditions and Specification	19
3.3	AC Characteristics	24
4	SPD Contents	29
5	Package Outlines	44



184-Pin Unbuffered Dual-In-Line Memory Modules UDIMM

HYS[64/72]D64x20GU-x-B
HYS[64/72]D32x00[G/E]U-x-B
HYS64D16301GU-x-B

1 Overview

1.1 Features

- 184-Pin Unbuffered Dual-In-Line Memory Modules (ECC and non-parity) for PC and Server main memory applications
- One rank 16M x 64, 32M x 64, 32M x 72 and two ranks 64M x 64, 64M x 72 organization
- JEDEC standard Double Data Rate Synchronous DRAMs (DDR SDRAM) Single +2.5V (±0.2V) power supply
- Built with 256 Mbit DDR SDRAM in P-TSOPII-66-1 package
- Programmable CAS Latency, Burst Length, and Wrap Sequence (Sequential & Interleave)
- Auto Refresh (CBR) and Self Refresh
- All inputs and outputs SSTL_2 compatible
- Serial Presence Detect with E²PROM
- JEDEC standard MO-206 form factor: 133.35 mm x 31.75 mm x 4.00 mm max.
- Jedec standard reference layout
- Gold plated contacts
- DDR400 Speed Grade supported
- Lead- & halogene-free DIMM available

Table 1 Performance

Part Number Speed Code			-5	-6	-7F	-7	-8	Unit
Module Speed Grade			DDR400B	DDR333B	DDR266	DDR266A	DDR200	-
Component Module			PC3200 -3033	PC2700 -2533	PC2100 -2022	PC2100 -2033	PC1600 -2022	-
max. Clock Frequency	@ CL = 3	f_{CK3}	200	166	-	-	-	MHz
	@ CL = 2.5	$f_{CK2.5}$	166	166	143	143	125	MHz
	@ CL = 2	f_{CK2}	133	133	133	133	100	MHz

1.2 Description

The HYS[64/72]D64x20GU-x-B, HYS[64/72]D32x00[G/E]U-x-B, and HYS64D16301GU-x-B are industry standard 184-Pin Unbuffered Dual-In-Line Memory Modules (UDIMM) organized as 32M x 64 and 64M x 64 for non-parity and 32M x 72 and 64M x 72 for ECC main memory applications. The memory array is designed with 256Mbit Double Data Rate Synchronous DRAMs. A variety of decoupling capacitors are mounted on the printed circuit board. The DIMMs feature serial presence detect (SPD) based on a serial E²PROM device using the 2-pin I²C protocol. The first 128 bytes are programmed with configuration data and the second 128 bytes are available to the customer

Table 2 Ordering Information

Type	Compliance Code	Description	SDRAM Technology
PC3200 (CL=3)			
HYS64D16301GU-5-B	PC3200U-30330-C0	one rank 128MB DIMM	256 Mbit (× 16)
HYS64D32300GU-5-B	PC3200U-30330-A0	one rank 256MB DIMM	256 Mbit (× 8)
HYS72D32300GU-5-B	PC3200U-30330-A0	one rank 256MB ECC-DIMM	256 Mbit (× 8)
HYS64D64320GU-5-B	PC3200U-30330-B0	two ranks 512MB DIMM	256 Mbit (× 8)
HYS72D64320GU-5-B	PC3200U-30330-B0	two ranks 512MB ECC-DIMM	256 Mbit (× 8)

PC2700 (CL=2.5)

HYS64D16301GU-6-B	PC2700U-25330-C0	one rank 128MB DIMM	256 Mbit (× 16)
HYS64D32300GU-6-B	PC2700U-25330-A0	one rank 256MB DIMM	256 Mbit (× 8)
HYS72D32300GU-6-B	PC2700U-25330-A0	one rank 256MB ECC-DIMM	256 Mbit (× 8)
HYS64D64320GU-6-B	PC2700U-25330-B0	two ranks 512MB DIMM	256 Mbit (× 8)
HYS72D64320GU-6-B	PC2700U-25330-B0	two ranks 512MB ECC-DIMM	256 Mbit (× 8)

PC2100 (CL=2)

HYS64D16301GU-7-B	PC2100U-20330-C2	one rank 128MB DIMM	256 Mbit (× 16)
HYS64D32000GU-7-B	PC2100U-20330-A1	one rank 256MB DIMM	256 Mbit (× 8)
HYS72D32000GU-7F-B	PC2100U-20220-A1	one rank 256MB ECC-DIMM	256 Mbit (× 8)
HYS72D32000GU-7-B	PC2100U-20330-A1	one rank 256MB ECC-DIMM	256 Mbit (× 8)
HYS64D64020GU-7-B	PC2100U-20330-B1	two ranks 512MB DIMM	256 Mbit (× 8)
HYS72D64020GU-7F-B	PC2100U-20220-B1	two ranks 512MB ECC-DIMM	256 Mbit (× 8)
HYS72D64020GU-7-B	PC2100U-20330-B1	two ranks 512MB ECC-DIMM	256 Mbit (× 8)

PC1600 (CL=2)

HYS64D16301GU-8-B	PC1600U-20330-C2	one rank 128MB DIMM	256 Mbit (× 16)
HYS64D32000GU-8-B	PC1600U-20220-A1	one rank 256MB DIMM	256 Mbit (× 8)
HYS72D32000GU-8-B	PC1600U-20220-A1	one rank 256MB ECC-DIMM	256 Mbit (× 8)
HYS64D64020GU-8-B	PC1600U-20220-B1	two ranks 512MB DIMM	256 Mbit (× 8)
HYS72D64020GU-8-B	PC1600U-20220-B1	two ranks 512MB ECC-DIMM	256 Mbit (× 8)

Table 3 Lead- and Halogene-Free DIMM



Type	Compliance Code	Description	SDRAM Technology
PC2100 (CL=2)			
HYS64D32300EU-7-B	PC2100U-20330-A1	one rank 256MB DIMM	256 Mbit (× 8)

Note: All part numbers end with a place code designating the silicon-die revision. Reference information available on request. Example: HYS72D32000GU-6-B, indicating rev. B dies are used for SDRAM components. The Compliance Code is printed on the module labels describing the speed sort (for example "PC2700"), the latencies and SPD code definition (for example "20330" means CAS latency of 2.0 clocks, RCD¹⁾ latency of 3 clocks, Row Precharge latency of 3 clocks, and JEDEC SPD code definition version 0), and the Raw Card used for this module.

1) RCD: Row-Column-Delay

2 Pin Configuration

Table 4 Pin Definitions and Functions

Symbol	Type ¹⁾	Function
A0 - A12	I	Address Inputs
BA0, BA1	I	Bank Selects
DQ0 - DQ63	I/O	Data Input/Output
CB0 - CB7	I/O	Check Bits (× 72 organization only)
$\overline{\text{RAS}}$, $\overline{\text{CAS}}$, $\overline{\text{WE}}$	I	Command Inputs
CKE0 - CKE1	I	Clock Enable
DQS0 - DQS8	I/O	SDRAM low data strobes
CK0 - CK2,	I	SDRAM clock (positive lines)
$\overline{\text{CK0}}$ - $\overline{\text{CK2}}$	I	SDRAM clock (negative lines)
DM0 - DM8 DQS9 - DQS17	I I/O	SDRAM low data mask/ high data strobes
$\overline{\text{S0}}$, $\overline{\text{S1}}$	I	Chip Selects for Rank0 and Rank1
V_{DD}	PWR	Power (+2.5 V)
V_{SS}	GND	Ground
V_{DDQ}	PWR	I/O Driver power supply
V_{DDID}	PWR	VDD Identification flag
V_{REF}	AI	I/O reference supply
V_{DDSPD}	PWR	Serial EEPROM power supply
SCL	I	Serial bus clock
SDA	I/O	Serial bus data line
SA0 - SA2	I	slave address select
NC	NC	Not Connected

1) I: Input; O: Output; I/O: bidirectional In-/Output; AI: Analog Input; PWR: Power Supply; GND: Signal Ground; NC: Not Connected

Note: S1 and CKE1 are used on two rank modules only

Table 5 Pin Configuration

Frontside				Backside			
PIN#	Symbol	PIN#	Symbol	PIN#	Symbol	PIN#	Symbol
1	V_{REF}	48	A0	93	V_{SS}	140	NC / DM8/DQS17
2	DQ0	49	NC / CB2	94	DQ4	141	A10
3	V_{SS}	50	V_{SS}	95	DQ5	142	NC / CB6
4	DQ1	51	NC / CB3	96	V_{DDQD}	143	V_{DDQD}
5	DQS0	52	BA1	97	DM0/DQS9	144	NC / CB7
6	DQ2	Key		98	DQ6	Key	
7	V_{DD}			99	DQ7		
8	DQ3	53	DQ32	100	V_{SS}	145	V_{SS}
9	NC	54	V_{DDQ}	101	NC	146	DQ36
10	NC	55	DQ33	102	NC	147	DQ37
11	V_{SS}	56	DQS4	103	NC	148	V_{DD}
12	DQ8	57	DQ34	104	V_{DDQ}	149	DM4/DQS13
13	DQ9	58	V_{SS}	105	DQ12	150	DQ38
14	DQS1	59	BA0	106	DQ13	151	DQ39
15	V_{DDQ}	60	DQ35	107	DM1/DQS10	152	V_{SS}
16	CK1	61	DQ40	108	V_{DD}	153	DQ44
17	$\overline{CK1}$	62	V_{DDQ}	109	DQ14	154	\overline{RAS}
18	V_{SS}	63	\overline{WE}	110	DQ15	155	DQ45
19	DQ10	64	DQ41	111	CKE1	156	V_{DDQ}
20	DQ11	65	\overline{CAS}	112	V_{DDQ}	157	$\overline{S0}$
21	CKE0	66	V_{SS}	113	NC (BA2)	158	$\overline{S1}$
22	V_{DDQ}	67	DQS5	114	DQ20	159	DM5/DQS14
23	DQ16	68	DQ42	115	NC / A12	160	V_{SS}
24	DQ17	69	DQ43	116	V_{SS}	161	DQ46
25	DQS2	70	V_{DD}	117	DQ21	162	DQ47
26	V_{SS}	71	NC	118	A11	163	NC
27	A9	72	DQ48	119	DM2/DQS11	164	V_{DDQ}
28	DQ18	73	DQ49	120	V_{DD}	165	DQ52
29	A7	74	V_{SS}	121	DQ22	166	DQ53
30	V_{DDQ}	75	CK2	122	A8	167	NC (A13)
31	DQ19	76	$\overline{CK2}$	123	DQ23	168	V_{DD}
32	A5	77	V_{DDQ}	124	V_{SS}	169	DM6/DQS15
33	DQ24	78	DQS6	125	A6	170	DQ54
34	V_{SS}	79	DQ50	126	DQ28	171	DQ55
35	DQ25	80	DQ51	127	DQ29	172	V_{DDQ}
36	DQS3	81	V_{SS}	128	V_{DDQ}	173	NC
37	A4	82	V_{DDID}	129	DM3/DQS12	174	DQ60
38	V_{DD}	83	DQ56	130	A3	175	DQ61
39	DQ26	84	DQ57	131	DQ30	176	V_{SS}

Table 5 Pin Configuration (cont'd)

Frontside				Backside			
PIN#	Symbol	PIN#	Symbol	PIN#	Symbol	PIN#	Symbol
40	DQ27	85	V _{DD}	132	V _{SS}	177	DM7/DQS16
41	A2	86	DQS7	133	DQ31	178	DQ62
42	V _{SS}	87	DQ58	134	NC / CB4	179	DQ63
43	A1	88	DQ59	135	NC / CB5	180	V _{DDQ}
44	NC / CB0	89	V _{SS}	136	V _{DDQ}	181	SA0
45	NC / CB1	90	NC	137	CK0	182	SA1
46	V _{DD}	91	SDA	138	$\overline{\text{CK0}}$	183	SA2
47	NC / DQS8	92	SCL	139	V _{SS}	184	V _{DDSPD}

Note: Pins 44, 45, 47, 49, 51, 134, 135, 140 and 144 are NC ("not connected") on ×64 organised non-ECC modules.

Table 6 Address Format

Density	Organization	Memory Ranks	SDRAMs	# of SDRAMs	# of row/bank/ columns bits	Refresh	Period	Interval
128MB	16M × 64	1	16M × 16	4	13/2/10	8K	64 ms	7.8 μs
256MB	32M × 64	1	32M × 8	8	13/2/11	8K	64 ms	7.8 μs
256MB	32M × 72	1	32M × 8	9	13/2/11	8K	64 ms	7.8 μs
512MB	64M × 64	2	32M × 8	16	13/2/11	8K	64 ms	7.8 μs
512MB	64M × 72	2	32M × 8	18	13/2/11	8K	64 ms	7.8 μs

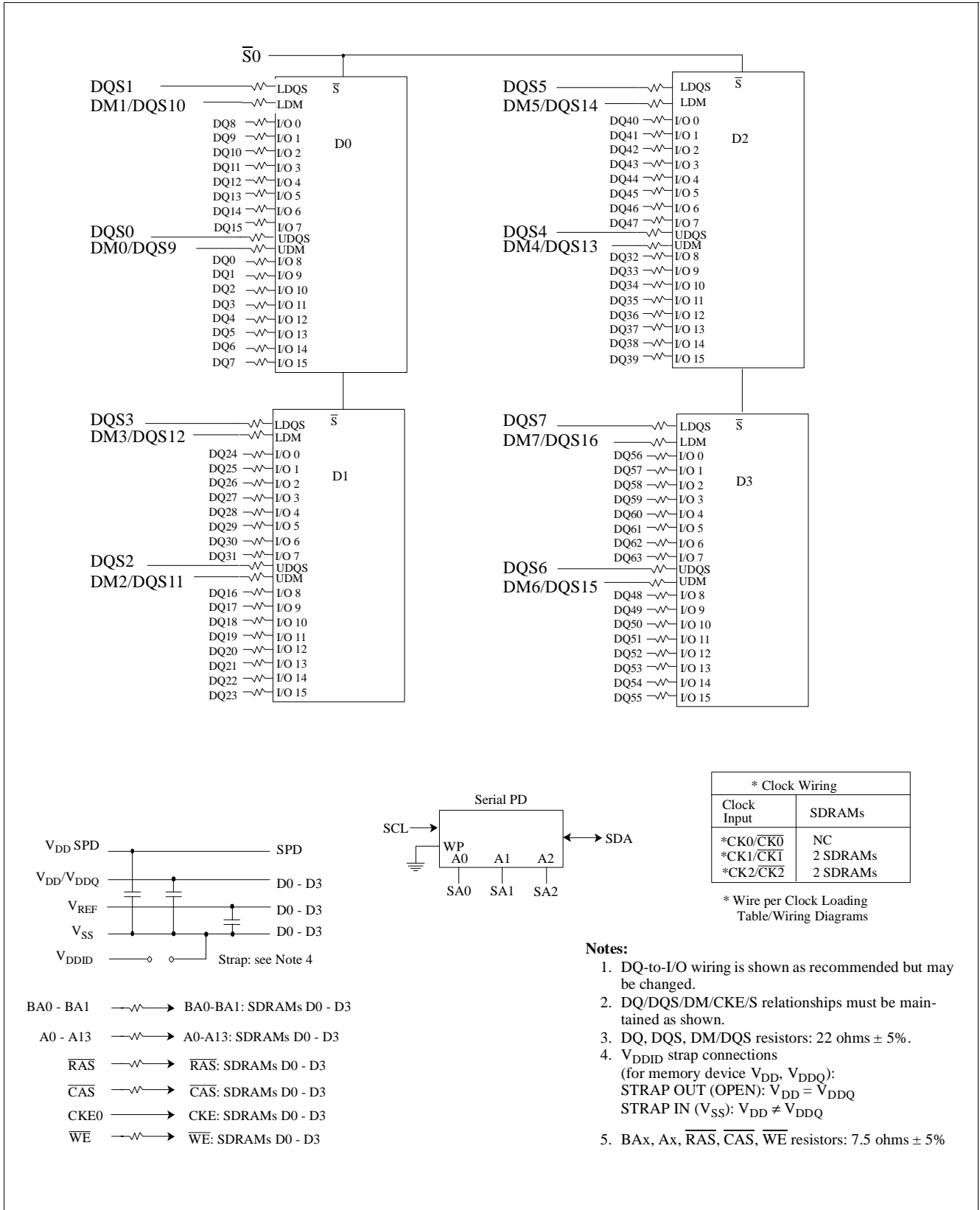


Figure 1 Block Diagram - One Rank 16M x 64 DDR SDRAM DIMM HYS64D16301GU using x 16 organized SDRAMs

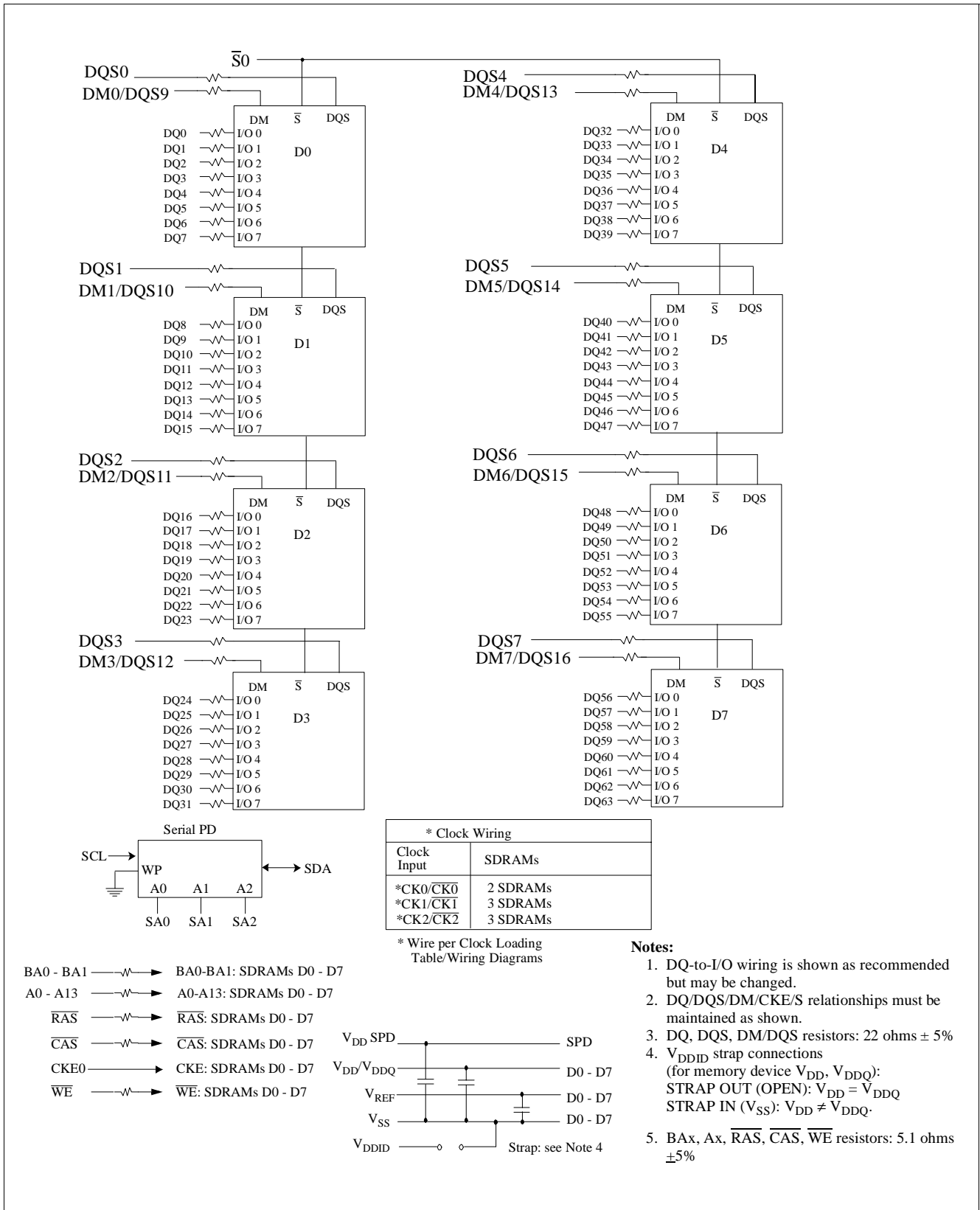


Figure 2 Block Diagram - One Rank 32M x 64 DDR-I SDRAM DIMM HYS64D32x00GU / HYS64D32300EU using x8 organized SDRAMs

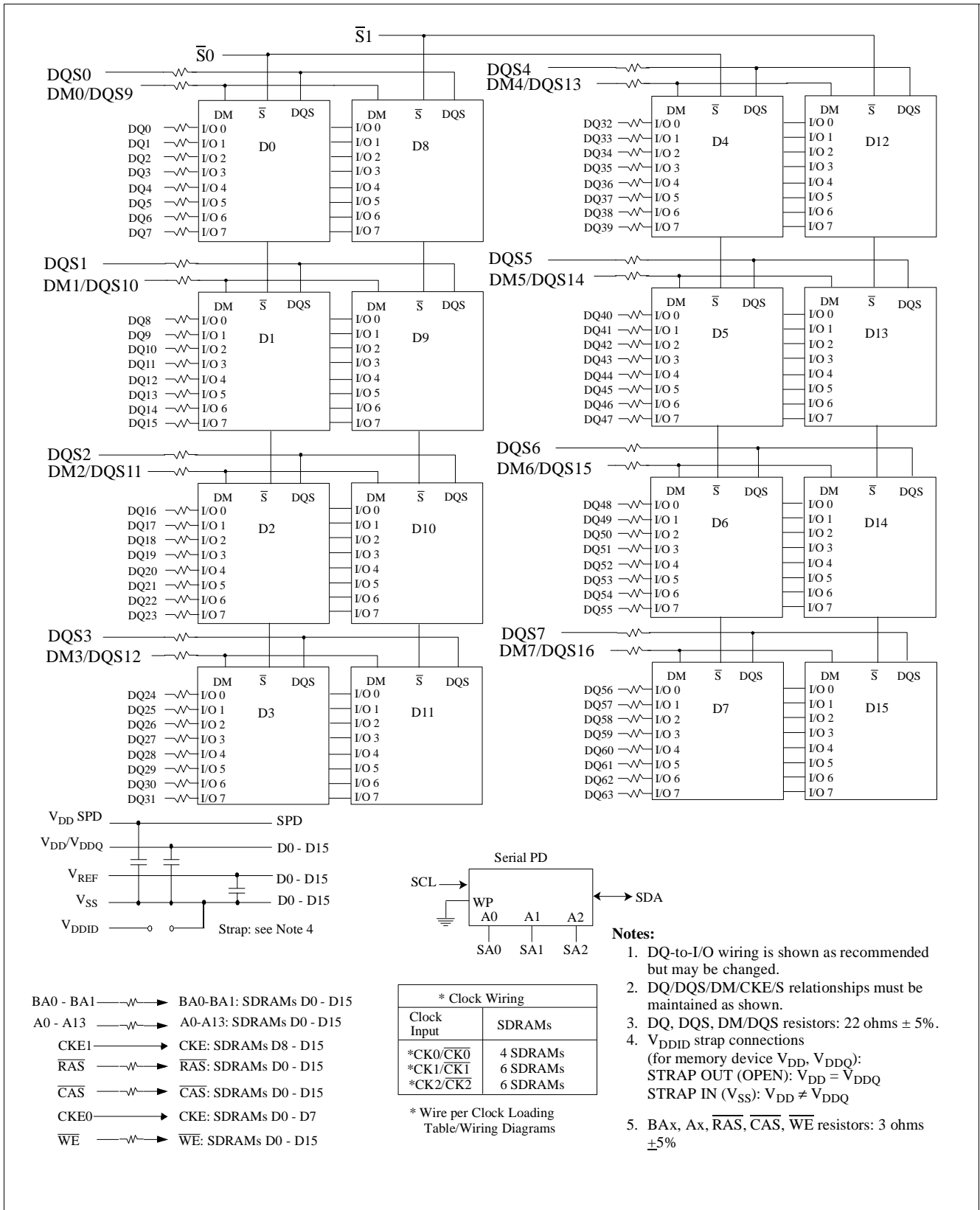
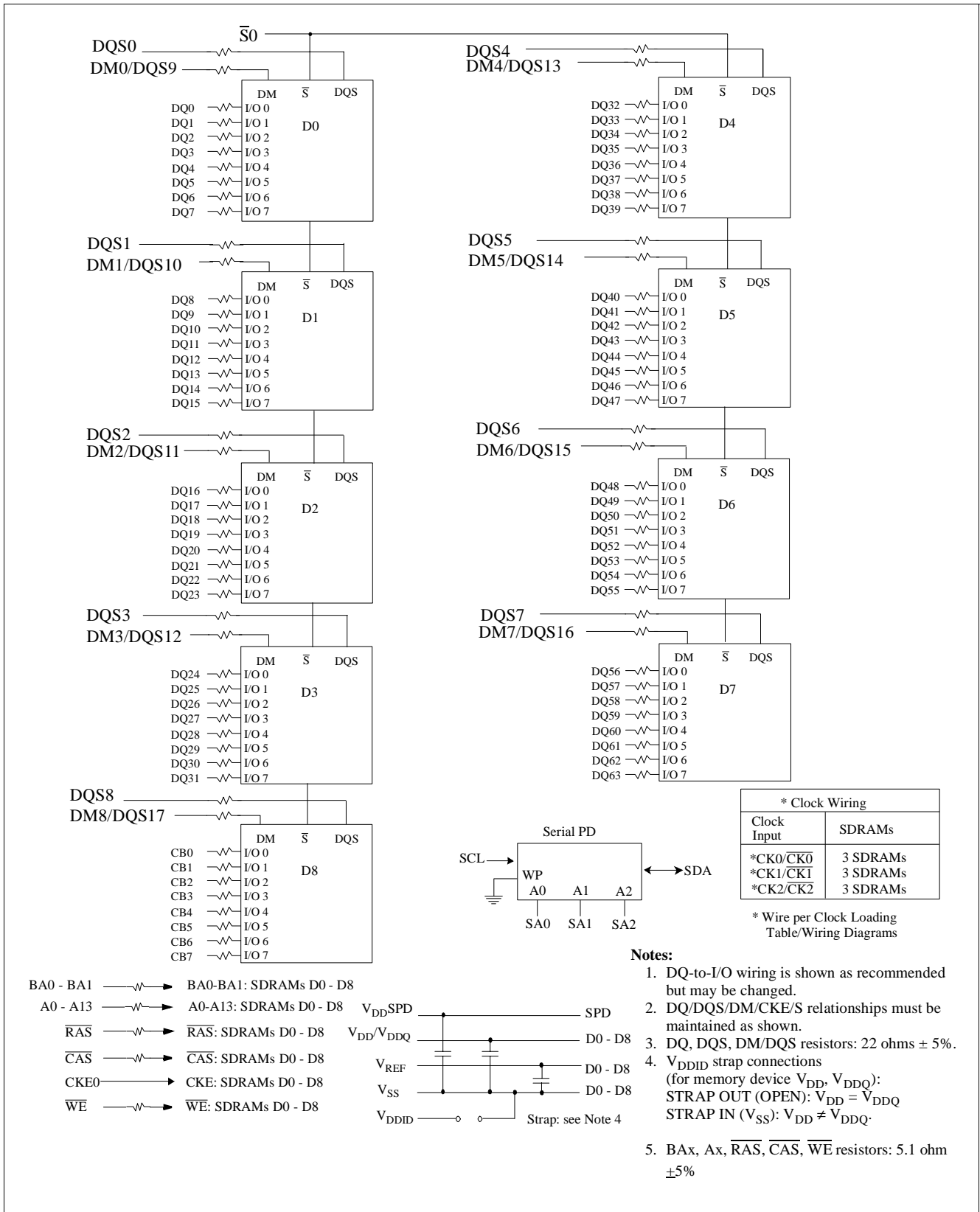


Figure 3 Block Diagram - Two Rank 64M x 64 DDR-I SDRAM DIMM HYS64D64x20GU using x8 organized SDRAMs



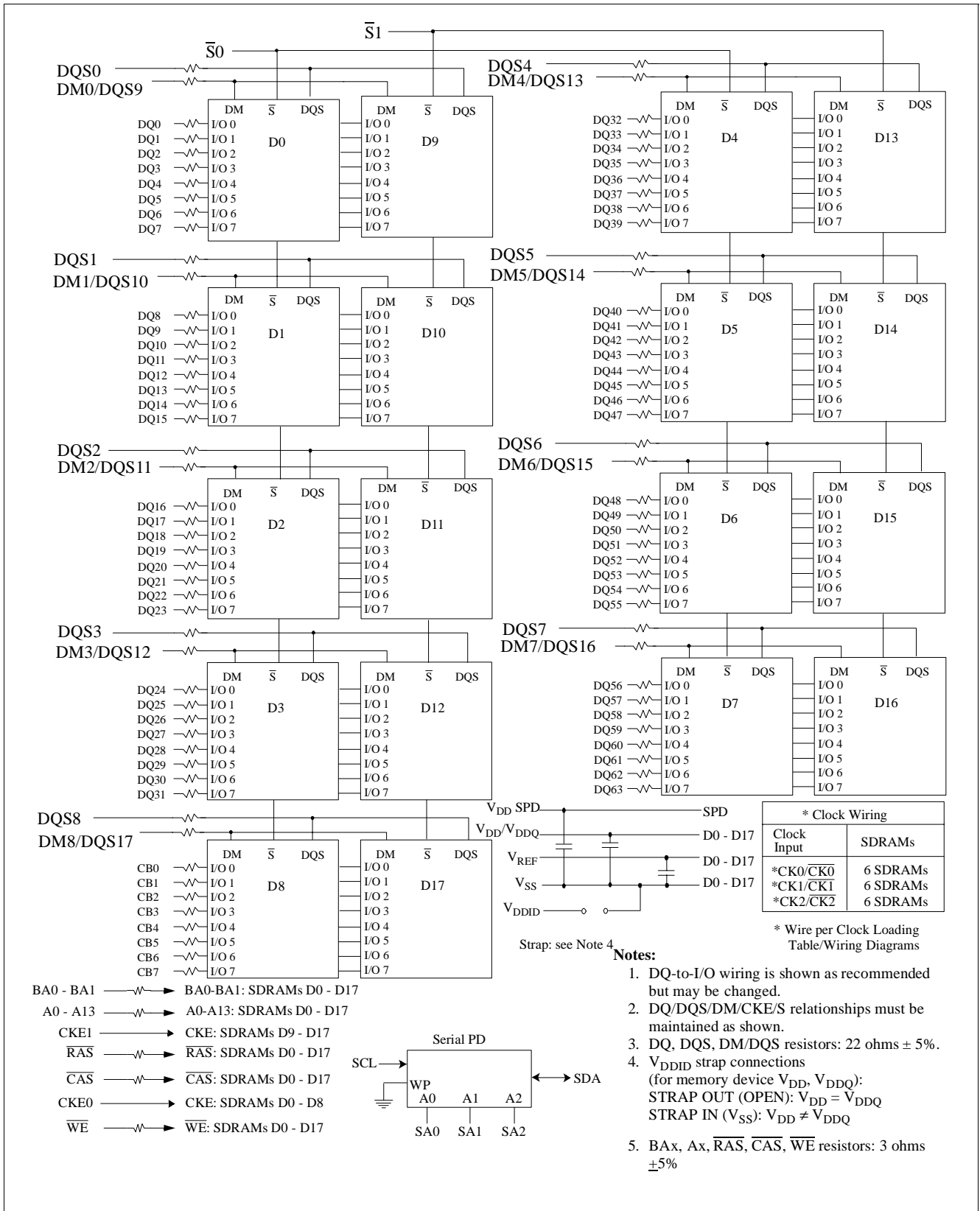


Figure 5 Block Diagram - Two Rank 64M × 72 DDR-I SDRAM DIMM HYS72D64x20GU using × 8 organized SDRAMs

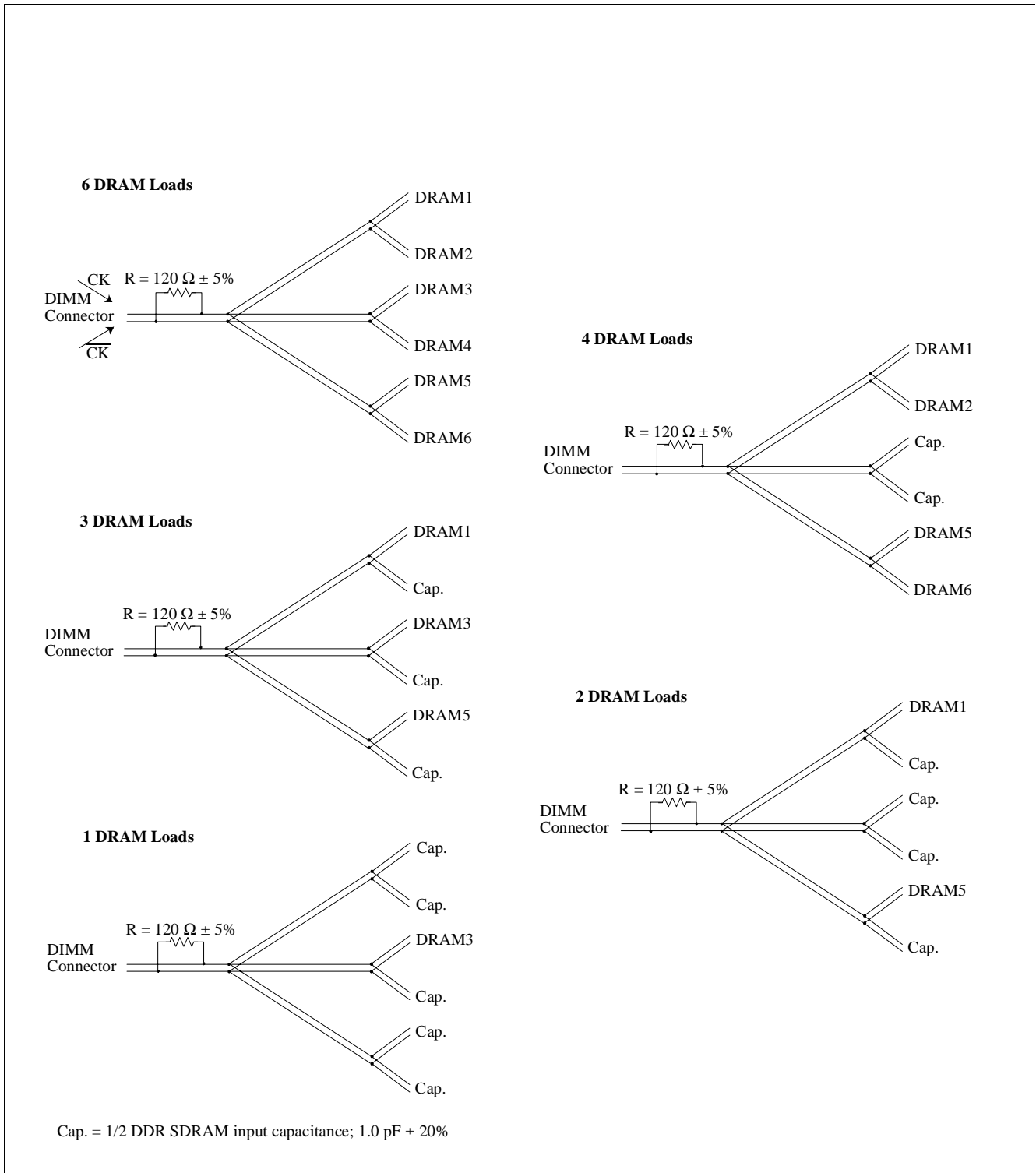


Figure 6 Clock Net Wiring

3 Electrical Characteristics

3.1 Operating Conditions

Table 7 Absolute Maximum Ratings

Parameter	Symbol	Values			Unit	Note/ Test Condition
		min.	typ.	max.		
Voltage on I/O pins relative to V_{SS}	V_{IN}, V_{OUT}	-0.5	–	$V_{DDQ} + 0.5$	V	–
Voltage on Inputs relative to V_{SS}	V_{IN}	-0.5	–	+3.6	V	–
Voltage on V_{DD} supply relative to V_{SS}	V_{DD}	-0.5	–	+3.6	V	–
Voltage on V_{DDQ} supply relative to V_{SS}	V_{DDQ}	-0.5	–	+3.6	V	–
Operating Temperature (Ambient)	T_A	0	–	+70	°C	–
Storage Temperature	T_{STG}	-55	–	+150	°C	–
Power dissipation (per SDRAM component)	P_D	–	1	–	W	–
Short Circuit Output Current	I_{OUT}	–	50	–	mA	–

Attention: Permanent device damage may occur if “Absolute Maximum Ratings” are exceeded. Functional operation should be restricted to recommended operation conditions. Exceeding only one of these values for extended periods of time affect device reliability and may cause irreversible damage to the integrated circuit.

Table 8 Supply Voltage Levels

Parameter	Symbol	Limit Values			Unit	Note/ Test Condition
		min.	nom.	max.		
Device Supply Voltage	V_{DD}	2.3	2.5	2.7	V	$f_{CK} \leq 166$ MHz
Device Supply Voltage	V_{DD}	2.5	2.6	2.7	V	$f_{CK} > 166$ MHz ¹⁾
Output Supply Voltage	V_{DDQ}	2.3	2.5	2.7	V	$f_{CK} \leq 166$ MHz ²⁾
Output Supply Voltage	V_{DDQ}	2.5	2.6	2.7	V	$f_{CK} > 166$ MHz ¹⁾²⁾
Input Reference Voltage	V_{REF}	$0.49 \times V_{DDQ}$	$0.5 \times V_{DDQ}$	$0.51 \times V_{DDQ}$	V	$f_{CK} \leq 166$ MHz ³⁾
Input Reference Voltage	V_{REF}	$V_{DDQ} / 2 - 50$ mV	$V_{DDQ} / 2$	$V_{DDQ} / 2 + 50$ mV	V	$f_{CK} > 166$ MHz ¹⁾³⁾
Termination Voltage	V_{TT}	$V_{REF} - 0.04$	V_{REF}	$V_{REF} + 0.04$	V	⁴⁾
EEPROM supply voltage	V_{DDSPD}	2.3	2.5	3.6	V	–

1) DDR400 conditions apply for all clock frequencies above 166 MHz

2) Under all conditions, V_{DDQ} must be less than or equal to V_{DD} .

3) Peak to peak AC noise on V_{REF} may not exceed $\pm 2\% V_{REF(DC)}$. V_{REF} is also expected to track noise variations in V_{DDQ} .

4) V_{TT} of the transmitting device must track V_{REF} of the receiving device.

Table 9 DC Operating Conditions (SSTL_2 Inputs)

Parameter	Symbol	Values		Unit	Note/ Test Condition ¹⁾
		min.	max.		
DC Input Logic High	$V_{IH(DC)}$	$V_{REF} + 0.15$	$V_{DDQ} + 0.3$	V	²⁾
DC Input Logic Low	$V_{IL(DC)}$	- 0.30	$V_{REF} - 0.15$	V	-
Input Leakage Current	I_{IL}	- 5	5	μA	³⁾
Output Leakage Current	I_{OL}	- 5	5	μA	³⁾

1) $V_{DDQ} = 2.5 V$, $T_A = 70^\circ C$, Voltage Referenced to V_{SS}

2) The relationship between the V_{DDQ} of the driving device and the V_{REF} of the receiving device is what determines noise margins. However, in the case of $V_{IH(max.)}$ (input overdrive), it is the V_{DDQ} of the receiving device that is referenced. In the case where a device is implemented such that it supports SSTL_2 inputs but has no SSTL_2 outputs (such as a translator), and therefore no V_{DDQ} supply voltage connection, inputs must tolerate input overdrive to 3.0 V (High corner $V_{DDQ} + 300 mV$).

3) For any pin under test input of $0 V \leq V_{IN} \leq V_{DDQ} + 0.3 V$. Values are shown per DDR SDRAM component

3.2 Current Conditions and Specification

Table 10 I_{DD} Conditions

Parameter	Symbol
Operating Current 0 one bank; active/ precharge; $t_{RC} = t_{RC,MIN}$; DQ, DM, and DQS inputs changing once per clock cycle; address and control inputs changing once every two clock cycles.	I_{DD0}
Operating Current 1 one bank; active/read/precharge; Burst Length = 4; see component data sheet.	I_{DD1}
Precharge Power-Down Standby Current all banks idle; power-down mode; $CKE \leq V_{IL,MAX}$	I_{DD2P}
Precharge Floating Standby Current $\overline{CS} \geq V_{IH,MIN}$; all banks idle; $CKE \geq V_{IH,MIN}$; address and other control inputs changing once per clock cycle; $V_{IN} = V_{REF}$ for DQ, DQS and DM.	I_{DD2F}
Precharge Quiet Standby Current $\overline{CS} \geq V_{IH,MIN}$; all banks idle; $CKE \geq V_{IH,MIN}$; address and other control inputs stable at $\geq V_{IH,MIN}$ or $\leq V_{IL,MAX}$; $V_{IN} = V_{REF}$ for DQ, DQS and DM.	I_{DD2Q}
Active Power-Down Standby Current one bank active; power-down mode; $CKE \leq V_{IL,MAX}$; $V_{IN} = V_{REF}$ for DQ, DQS and DM.	I_{DD3P}
Active Standby Current one bank active; $\overline{CS} \geq V_{IH,MIN}$; $CKE \geq V_{IH,MIN}$; $t_{RC} = t_{RAS,MAX}$; DQ, DM and DQS inputs changing twice per clock cycle; address and control inputs changing once per clock cycle.	I_{DD3N}
Operating Current Read one bank active; Burst Length = 2; reads; continuous burst; address and control inputs changing once per clock cycle; 50% of data outputs changing on every clock edge; CL = 2 for DDR266(A), CL = 3 for DDR333 and DDR400B; $I_{OUT} = 0$ mA	I_{DD4R}
Operating Current Write one bank active; Burst Length = 2; writes; continuous burst; address and control inputs changing once per clock cycle; 50% of data outputs changing on every clock edge; CL = 2 for DDR266(A), CL = 3 for DDR333 and DDR400B	I_{DD4W}
Auto-Refresh Current $t_{RC} = t_{RFCMIN}$; distributed refresh	I_{DD5}
Self-Refresh Current $CKE \leq 0.2$ V; external clock on	I_{DD6}
Operating Current 7 four bank interleaving with Burst Length = 4; see component data sheet.	I_{DD7}

Table 11 Operating, Standby and Refresh Currents (PC2100, -8)

Part Number & Organization	HYS64D16301GU-8-B		HYS64D32300GU-8-B		HYS72D32300GU-8-B		HYS64D64320GU-8-B		HYS72D64320GU-8-B		Unit	Note ¹⁾²⁾
	128MB × 64		256MB × 64		256MB × 72		512MB × 64		512MB × 72			
	1 rank		1 rank		1 rank		2 ranks		2 ranks			
Symbol	typ.	max.	typ.	max.	typ.	max.	typ.	max.	typ.	max.		
I_{DD0}	288	380	560	720	630	810	880	1080	990	1215	mA	³⁾
I_{DD1}	332	420	640	800	720	900	960	1160	1080	1305	mA	³⁾⁴⁾
I_{DD2P}	20	28	40	56	45	63	80	112	90	126	mA	⁵⁾
I_{DD2F}	120	140	240	280	270	315	480	560	540	630	mA	⁵⁾
I_{DD2Q}	72	88	144	176	162	198	288	352	324	396	mA	⁵⁾
I_{DD3P}	52	64	104	128	117	144	208	256	234	288	mA	⁵⁾
I_{DD3N}	168	200	320	360	360	405	640	720	720	810	mA	⁵⁾
I_{DD4R}	356	440	632	760	711	855	952	1120	1071	1260	mA	³⁾⁴⁾
I_{DD4W}	384	480	680	840	765	945	1000	1200	1125	1350	mA	³⁾
I_{DD5}	504.8	680	1010	1360	1136	1530	1330	1720	1496	1935	mA	³⁾
I_{DD6}	6	10	12	20	13.5	22.5	24	40	27	45	mA	⁵⁾
I_{DD7}	632	880	1200	1680	1350	1890	1520	2040	1710	2295	mA	³⁾⁴⁾

- 1) DRAM component currents only
- 2) Test condition for maximum values: $V_{DD} = 2.7 \text{ V}$, $T_A = 10 \text{ °C}$
- 3) The module I_{DDx} values are calculated from the component I_{DDx} data sheet values as:
 $m \times I_{DDx}[\text{component}] + n \times I_{DD3N}[\text{component}]$ with m and n number of components of rank 1 and 2; $n=0$ for 1 rank modules
- 4) DQ I/O (I_{DDQ}) currents are not included into calculations: module I_{DD} values will be measured differently depending on load conditions
- 5) The module I_{DDx} values are calculated from the component I_{DDx} data sheet values as: $(m + n) \times I_{DDx}[\text{component}]$

Table 12 Operating, Standby and Refresh Currents (PC2100, -7 & -7F)

Part Number & Organization	HYS64D16301GU-7-B		HYS64D32300GU-7-B HYS64D32300EU-7-B		HYS72D32300GU-7-B		HYS64D64320GU-7-B		HYS64D64320GU-7F-B		HYS72D64320GU-7-B		HYS72D64320GU-7F-B		Unit	Note 1)2)
	128MB × 64		256MB × 64		256MB × 72		512MB × 64		512MB × 72		512MB × 72		512MB × 72			
	1 rank		1 rank		1 rank		1 rank		1 rank		2 ranks		2 ranks			
Sym- bol	typ.	max.	typ.	max.	typ.	max.	typ.	max.	typ.	max.	typ.	max.	typ.	max.		
I_{DD0}	308	420	600	800	675	900	747	990	1000	1240	1125	1395	1197	1485	mA	3)
I_{DD1}	376	460	720	880	810	990	882	1080	1120	1320	1260	1485	1332	1575	mA	3)4)
I_{DD2P}	22	32	44	64	49.5	72	49.5	72	88	128	99	144	99	144	mA	5)
I_{DD2F}	140	160	280	320	315	360	315	360	560	640	630	720	630	720	mA	5)
I_{DD2Q}	80	100	160	200	180	225	180	225	320	400	360	450	360	450	mA	5)
I_{DD3P}	60	72	120	144	135	162	135	162	240	288	270	324	270	324	mA	5)
I_{DD3N}	208	240	400	440	450	495	450	495	800	880	900	990	900	990	mA	5)
I_{DD4R}	428	520	760	920	855	1035	855	1035	1160	1360	1305	1530	1305	1530	mA	3)4)
I_{DD4W}	476	560	840	1000	945	1125	945	1125	1240	1440	1395	1620	1395	1620	mA	3)
I_{DD5}	540	720	1080	1440	1215	1620	1217	1620	1480	1880	1665	2115	1667	2115	mA	3)
I_{DD6}	6	10	12	20	13.5	22.5	13.5	22.5	24	40	27	45	27	45	mA	5)
I_{DD7}	720	940	1369	1800	1540	2025	1540	2025	1769	2240	1990	2520	1990	2520	mA	3)4)

- 1) DRAM component currents only
- 2) Test condition for maximum values: $V_{DD} = 2.7 \text{ V}$, $T_A = 10 \text{ °C}$
- 3) The module I_{DDx} values are calculated from the component I_{DDx} data sheet values as:
 $m \times I_{DDx}[\text{component}] + n \times I_{DD3N}[\text{component}]$ with m and n number of components of rank 1 and 2; $n=0$ for 1 rank modules
- 4) DQ I/O (I_{DDQ}) currents are not included into calculations: module I_{DD} values will be measured differently depending on load conditions
- 5) The module I_{DDx} values are calculated from the component I_{DDx} data sheet values as: $(m + n) \times I_{DDx}[\text{component}]$

Table 13 Operating, Standby and Refresh Currents (PC2700, -6)

Part Number & Organization	HYS64D16301GU-6-B		HYS64D32300GU-6-B		HYS72D32300GU-6-B		HYS64D64320GU-6-B		HYS72D64320GU-6-B		Unit	Note 1)2)
	128MB × 64		256MB × 64		256MB × 72		512MB × 64		512MB × 72			
	1 rank		1 rank		1 rank		2 ranks		2 ranks			
Symbol	typ.	max.	typ.	max.	typ.	max.	typ.	max.	typ.	max.		
I_{DD0}	352	460	680	880	765	990	1160	1400	1305	1575	mA	3)
I_{DD1}	416	500	800	960	900	1080	1280	1480	1440	1665	mA	3)4)
I_{DD2P}	24	36	48	72	54	81	96	144	108	162	mA	5)
I_{DD2F}	180	220	360	440	405	495	720	880	810	990	mA	5)
I_{DD2Q}	98.8	112	197.6	224	222.3	252	395.2	448	444.6	504	mA	5)
I_{DD3P}	72	84	144	168	162	189	288	336	324	378	mA	5)
I_{DD3N}	252	280	480	520	540	585	960	1040	1080	1170	mA	5)
I_{DD4R}	496	640	880	1120	990	1260	1360	1640	1530	1845	mA	3)4)
I_{DD4W}	564	660	1000	1160	1125	1305	1480	1680	1665	1890	mA	3)
I_{DD5}	574	760	1148	1520	1292	1710	1628	2040	1832	2295	mA	3)
I_{DD6}	6	10	12	20	13.5	22.5	24	40	27	45	mA	5)
I_{DD7}	872	1140	1662	2160	1870	2430	2142	2680	2410	3015	mA	3)4)

- 1) DRAM component currents only
- 2) Test condition for maximum values: $V_{DD} = 2.7 \text{ V}$, $T_A = 10 \text{ °C}$
- 3) The module I_{DDx} values are calculated from the component I_{DDx} data sheet values as:
 $m \times I_{DDx}[\text{component}] + n \times I_{DD3N}[\text{component}]$ with m and n number of components of rank 1 and 2; $n=0$ for 1 rank modules
- 4) DQ I/O (I_{DDQ}) currents are not included into calculations: module I_{DD} values will be measured differently depending on load conditions
- 5) The module I_{DDx} values are calculated from the component I_{DDx} data sheet values as: $(m + n) \times I_{DDx}[\text{component}]$

Table 14 Operating, Standby and Refresh Currents (PC3200, -5)

Part Number & Organization	HYS64D16301GU-5-B		HYS64D32300GU-5-B		HYS72D32300GU-5-B		HYS64D64320GU-5-B		HYS72D64320GU-5-B		Unit	Note ¹⁾²⁾
	128MB × 64		256MB × 64		256MB × 72		512MB × 64		512MB × 72			
	1 rank		1 rank		1 rank		2 ranks		2 ranks			
Symbol	typ.	max.	typ.	max.	typ.	max.	typ.	max.	typ.	max.		
I_{DD0}	400	480	720	920	810	1035	1176	1472	132	1656	mA	³⁾
I_{DD1}	460	540	840	1000	945	1125	1296	1552	1458	1746	mA	³⁾⁴⁾
I_{DD2P}	24	36	48	72	54	81	96	144	108	162	mA	⁵⁾
I_{DD2F}	184	224	368	448	414	504	736	896	828	1008	mA	⁵⁾
I_{DD2Q}	96	136	192	272	216	306	384	544	432	612	mA	⁵⁾
I_{DD3P}	68	96	136	192	153	216	272	384	306	432	mA	⁵⁾
I_{DD3N}	240	296	456	552	513	621	912	1104	1026	1242	mA	⁵⁾
I_{DD4R}	560	700	920	1160	1035	1305	1376	1712	1548	1926	mA	³⁾⁴⁾
I_{DD4W}	600	720	1000	1200	1125	1350	1456	1752	1638	1971	mA	³⁾
I_{DD5}	620	780	1240	1560	1395	1755	1696	2112	1908	2376	mA	³⁾
I_{DD6}	6.4	10.4	12.8	20.8	14.4	23.4	25.6	41.6	28.8	46.8	mA	⁵⁾
I_{DD7}	1040	1240	1920	2240	2160	2520	2376	2792	2673	3141	mA	³⁾⁴⁾

1) DRAM component currents only

2) Test condition for maximum values: $V_{DD} = 2.7 \text{ V}$, $T_A = 10 \text{ °C}$

3) The module I_{DDx} values are calculated from the component I_{DDx} data sheet values as:

$m \times I_{DDx}[\text{component}] + n \times I_{DD3N}[\text{component}]$ with m and n number of components of rank 1 and 2; $n=0$ for 1 rank modules

4) DQ I/O (I_{DDQ}) currents are not included into calculations: module I_{DD} values will be measured differently depending on load conditions

5) The module I_{DDx} values are calculated from the component I_{DDx} data sheet values as: $(m + n) \times I_{DDx}[\text{component}]$

3.3 AC Characteristics

Table 15 AC Timing - Absolute Specifications –8/–7/–7F

Parameter	Symbol	–8		–7		–7F		Unit	Note/ Test Condition ¹⁾
		DDR200		DDR266A		DDR266			
		Min.	Max.	Min.	Max.	Min.	Max.		
DQ output access time from CK/ $\overline{\text{CK}}$	t_{AC}	–0.8	+0.8	–0.75	+0.75	–0.75	+0.75	ns	2)3)4)5)
DQS output access time from CK/ $\overline{\text{CK}}$	t_{DQSK}	–0.8	+0.8	–0.75	+0.75	–0.75	+0.75	ns	2)3)4)5)
CK high-level width	t_{CH}	0.45	0.55	0.45	0.55	0.45	0.55	t_{CK}	2)3)4)5)
CK low-level width	t_{CL}	0.45	0.55	0.45	0.55	0.45	0.55	t_{CK}	2)3)4)5)
Clock Half Period	t_{HP}	min. (t_{CL} , t_{CH})		min. (t_{CL} , t_{CH})		min. (t_{CL} , t_{CH})		ns	2)3)4)5)
Clock cycle time	t_{CK3}	8	12	7	12	7	12	ns	CL = 3.0 ²⁾³⁾⁴⁾⁵⁾
	$t_{CK2.5}$	8	12	7	12	7	12	ns	CL = 2.5 ²⁾³⁾⁴⁾⁵⁾
	t_{CK2}	10	12	7.5	12	7.5	12	ns	CL = 2.0 ²⁾³⁾⁴⁾⁵⁾
	$t_{CK1.5}$	10	12	—	—	—	—	ns	CL = 1.5 ²⁾³⁾⁴⁾⁵⁾
DQ and DM input hold time	t_{DH}	0.6	—	0.5	—	0.5	—	ns	2)3)4)5)
DQ and DM input setup time	t_{DS}	0.6	—	0.5	—	0.5	—	ns	2)3)4)5)
Control and Addr. input pulse width (each input)	t_{IPW}	2.5	—	2.2	—	2.2	—	ns	2)3)4)5)6)
DQ and DM input pulse width (each input)	t_{DIPW}	2.0	—	1.75	—	1.75	—	ns	2)3)4)5)6)
Data-out high-impedance time from CK/ $\overline{\text{CK}}$	t_{HZ}	–0.8	+0.8	–0.75	+0.75	–0.75	+0.75	ns	2)3)4)5)7)
Data-out low-impedance time from CK/ $\overline{\text{CK}}$	t_{LZ}	–0.8	+0.8	–0.75	+0.75	–0.75	+0.75	ns	2)3)4)5)7)
Write command to 1 st DQS latching transition	t_{DQSS}	0.75	1.25	0.75	1.25	0.75	1.25	t_{CK}	2)3)4)5)
DQS-DQ skew (DQS and associated DQ signals)	t_{DQSQ}	—	+0.6	—	+0.5	—	+0.5	ns	2)3)4)5)
Data hold skew factor	t_{QHS}	—	1.0	—	0.75	—	0.75	ns	2)3)4)5)
DQ/DQS output hold time	t_{QH}	$t_{HP} - t_{QHS}$	—	$t_{HP} - t_{QHS}$	—	$t_{HP} - t_{QHS}$	—	ns	2)3)4)5)
DQS input low (high) pulse width (write cycle)	$t_{DQSL,H}$	0.35	—	0.35	—	0.35	—	t_{CK}	2)3)4)5)
DQS falling edge to CK setup time (write cycle)	t_{DSS}	0.2	—	0.2	—	0.2	—	t_{CK}	2)3)4)5)
DQS falling edge hold time from CK (write cycle)	t_{DSH}	0.2	—	0.2	—	0.2	—	t_{CK}	2)3)4)5)
Mode register set command cycle time	t_{MRD}	2	—	2	—	2	—	t_{CK}	2)3)4)5)
Write preamble setup time	t_{WPRES}	0	—	0	—	0	—	ns	2)3)4)5)8)
Write postamble	t_{WPST}	0.40	0.60	0.40	0.60	0.40	0.60	t_{CK}	2)3)4)5)9)
Write preamble	t_{WPRE}	0.25	—	0.25	—	0.25	—	t_{CK}	2)3)4)5)

Electrical Characteristics

Table 15 AC Timing - Absolute Specifications –8/–7/–7F (cont'd)

Parameter	Symbol	–8		–7		–7F		Unit	Note/ Test Condition ¹⁾
		DDR200		DDR266A		DDR266			
		Min.	Max.	Min.	Max.	Min.	Max.		
Address and control input setup time	t_{IS}	1.1	—	0.9	—	0.9	—	ns	fast slew rate 3)4)5)6)10)
		1.1	—	1.0	—	1.0	—	ns	slow slew rate 3)4)5)6)10)
Address and control input hold time	t_{IH}	1.1	—	0.9	—	0.9	—	ns	fast slew rate 3)4)5)6)10)
		1.1	—	1.0	—	1.0	—	ns	slow slew rate 3)4)5)6)10)
Read preamble	t_{RPRE}	0.9	1.1	0.9	1.1	0.9	1.1	t_{CK}	CL > 1.5 ²⁾³⁾⁴⁾⁵⁾
	$t_{RPRE1.5}$	0.9	1.1	NA		NA		t_{CK}	CL = 1.5 ²⁾³⁾⁴⁾⁵⁾¹¹⁾
Read preamble setup time	t_{RPRES}	1.5	—	NA		NA		ns	²⁾³⁾⁴⁾⁵⁾¹²⁾
Read postamble	t_{RPST}	0.40	0.60	0.40	0.60	0.40	0.60	t_{CK}	²⁾³⁾⁴⁾⁵⁾
Active to Precharge command	t_{RAS}	50	120 E+3	45	120 E+3	45	120 E+3	ns	²⁾³⁾⁴⁾⁵⁾
Active to Active/Auto-refresh command period	t_{RC}	70	—	65	—	60	—	ns	²⁾³⁾⁴⁾⁵⁾
Auto-refresh to Active/Auto-refresh command period	t_{RFC}	80	—	75	—	75	—	ns	²⁾³⁾⁴⁾⁵⁾
Active to Read or Write delay	t_{RCD}	20	—	20	—	15	—	ns	²⁾³⁾⁴⁾⁵⁾
Precharge command period	t_{RP}	20	—	20	—	15	—	ns	²⁾³⁾⁴⁾⁵⁾
Active to Autoprecharge delay	t_{RAP}	20	—	20	—	15	—	ns	²⁾³⁾⁴⁾⁵⁾
Active bank A to Active bank B command	t_{RRD}	15	—	15	—	15	—	ns	²⁾³⁾⁴⁾⁵⁾
Write recovery time	t_{WR}	15	—	15	—	15	—	ns	²⁾³⁾⁴⁾⁵⁾
Auto precharge write recovery + precharge time	t_{DAL}	$(t_{wr}/t_{CK}) + (t_{rp}/t_{CK})$						t_{CK}	²⁾³⁾⁴⁾⁵⁾¹³⁾
Internal write to read command delay	t_{WTR}	1	—	1	—	1	—	t_{CK}	CL > 1.5 ²⁾³⁾⁴⁾⁵⁾
	$t_{WTR1.5}$	2	—	—	—	—	—	t_{CK}	CL = 1.5 ²⁾³⁾⁴⁾⁵⁾
Exit self-refresh to non-read command	t_{XSNR}	80	—	75	—	75	—	ns	²⁾³⁾⁴⁾⁵⁾
Exit self-refresh to read command	t_{XSRD}	200	—	200	—	200	—	t_{CK}	²⁾³⁾⁴⁾⁵⁾
Average Periodic Refresh Interval	t_{REFI}	—	7.8	—	7.8	—	7.8	μs	²⁾³⁾⁴⁾⁵⁾¹⁴⁾

1) $0\text{ }^{\circ}\text{C} \leq T_A \leq 70\text{ }^{\circ}\text{C}$; $V_{DDQ} = 2.5\text{ V} \pm 0.2\text{ V}$, $V_{DD} = +2.5\text{ V} \pm 0.2\text{ V}$

2) Input slew rate $\geq 1\text{ V/ns}$ for DDR400, DDR333, DDR266, and $= 1\text{ V/ns}$ for DDR200

3) The CK/ $\overline{\text{CK}}$ input reference level (for timing reference to CK/ $\overline{\text{CK}}$) is the point at which CK and $\overline{\text{CK}}$ cross: the input reference level for signals other than CK/ $\overline{\text{CK}}$, is V_{REF} . CK/ $\overline{\text{CK}}$ slew rate are $\geq 1.0\text{ V/ns}$.

4) Inputs are not recognized as valid until V_{REF} stabilizes.

5) The Output timing reference level, as measured at the timing reference point indicated in AC Characteristics (note 3) is V_{TT} .

6) These parameters guarantee device timing, but they are not necessarily tested on each device.

Electrical Characteristics

- 7) t_{HZ} and t_{LZ} transitions occur in the same access time windows as valid data transitions. These parameters are not referred to a specific voltage level, but specify when the device is no longer driving (HZ), or begins driving (LZ).
- 8) The specific requirement is that DQS be valid (HIGH, LOW, or some point on a valid transition) on or before this CK edge. A valid transition is defined as monotonic and meeting the input slew rate specifications of the device. When no writes were previously in progress on the bus, DQS will be transitioning from Hi-Z to logic LOW. If a previous write was in progress, DQS could be HIGH, LOW, or transitioning from HIGH to LOW at this time, depending on t_{DQSS} .
- 9) The maximum limit for this parameter is not a device limit. The device operates with a greater value for this parameter, but system performance (bus turnaround) degrades accordingly.
- 10) Fast slew rate ≥ 1.0 V/ns, slow slew rate ≥ 0.5 V/ns and < 1 V/ns for command/address and CK & \overline{CK} slew rate > 1.0 V/ns, measured between $V_{OH(ac)}$ and $V_{OL(ac)}$.
- 11) CAS Latency 1.5 operation is supported on DDR200 devices only
- 12) t_{RPRES} is defined for CL = 1.5 operation only
- 13) For each of the terms, if not already an integer, round to the next highest integer. t_{CK} is equal to the actual system clock cycle time.
- 14) A maximum of eight Autorefresh commands can be posted to any given DDR SDRAM device.

Table 16 AC Timing - Absolute Specifications -6/-5

Parameter	Symbol	-6		-5		Unit	Note/ Test Condition ¹⁾
		DDR333		DDR400B			
		Min.	Max.	Min.	Max.		
DQ output access time from CK/ \overline{CK}	t_{AC}	-0.7	+0.7	-0.6	+0.6	ns	2)3)4)5)
DQS output access time from CK/ \overline{CK}	t_{DQSK}	-0.6	+0.6	-0.5	+0.5	ns	2)3)4)5)
CK high-level width	t_{CH}	0.45	0.55	0.45	0.55	t_{CK}	2)3)4)5)
CK low-level width	t_{CL}	0.45	0.55	0.45	0.55	t_{CK}	2)3)4)5)
Clock Half Period	t_{HP}	min. (t_{CL} , t_{CH})		min. (t_{CL} , t_{CH})		ns	2)3)4)5)
Clock cycle time	t_{CK}	6	12	5	12	ns	CL = 3.0 ²⁾³⁾⁴⁾⁵⁾
		6	12	6	12	ns	CL = 2.5 ²⁾³⁾⁴⁾⁵⁾
		7.5	12	7.5	12	ns	CL = 2.0 ²⁾³⁾⁴⁾⁵⁾
DQ and DM input hold time	t_{DH}	0.45	—	0.4	—	ns	2)3)4)5)
DQ and DM input setup time	t_{DS}	0.45	—	0.4	—	ns	2)3)4)5)
Control and Addr. input pulse width (each input)	t_{IPW}	2.2	—	tbd	—	ns	2)3)4)5)6)
DQ and DM input pulse width (each input)	t_{DIPW}	1.75	—	tbd	—	ns	2)3)4)5)6)
Data-out high-impedance time from CK/ \overline{CK}	t_{HZ}	-0.7	+0.7	-0.6	+0.6	ns	2)3)4)5)7)
Data-out low-impedance time from CK/ \overline{CK}	t_{LZ}	-0.7	+0.7	-0.6	+0.6	ns	2)3)4)5)7)
Write command to 1 st DQS latching transition	t_{DQSS}	0.75	1.25	0.75	1.25	t_{CK}	2)3)4)5)
DQS-DQ skew (DQS and associated DQ signals)	t_{DQSQ}	—	+0.40	—	+0.40	ns	TFBGA ²⁾³⁾⁴⁾⁵⁾
		—	+0.45	—	+0.40	ns	TSOPII ²⁾³⁾⁴⁾⁵⁾
Data hold skew factor	t_{QHS}	—	+0.50	—	+0.50	ns	TFBGA ²⁾³⁾⁴⁾⁵⁾
		—	+0.55	—	+0.50	ns	TSOPII ²⁾³⁾⁴⁾⁵⁾
DQ/DQS output hold time	t_{QH}	$t_{HP} - t_{QHS}$	—	$t_{HP} - t_{QHS}$	—	ns	2)3)4)5)
DQS input low (high) pulse width (write cycle)	$t_{DQSL,H}$	0.35	—	0.35	—	t_{CK}	2)3)4)5)

Electrical Characteristics

Table 16 AC Timing - Absolute Specifications –6/–5 (cont'd)

Parameter	Symbol	–6		–5		Unit	Note/ Test Condition ¹⁾
		DDR333		DDR400B			
		Min.	Max.	Min.	Max.		
DQS falling edge to CK setup time (write cycle)	t_{DSS}	0.2	—	0.2	—	t_{CK}	2)3)4)5)
DQS falling edge hold time from CK (write cycle)	t_{DSH}	0.2	—	0.2	—	t_{CK}	2)3)4)5)
Mode register set command cycle time	t_{MRD}	2	—	2	—	t_{CK}	2)3)4)5)
Write preamble setup time	t_{WPRES}	0	—	0	—	ns	2)3)4)5)8)
Write postamble	t_{WPST}	0.40	0.60	0.40	0.60	t_{CK}	2)3)4)5)9)
Write preamble	t_{WPRES}	0.25	—	0.25	—	t_{CK}	2)3)4)5)
Address and control input setup time	t_{IS}	0.75	—	0.6	—	ns	fast slew rate 3)4)5)6)10)
		0.8	—	NA	—	ns	slow slew rate 3)4)5)6)10)
Address and control input hold time	t_{IH}	0.75	—	0.6	—	ns	fast slew rate 3)4)5)6)10)
		0.8	—	NA	—	ns	slow slew rate 3)4)5)6)10)
Read preamble	t_{RPRE}	0.9	1.1	0.9	1.1	t_{CK}	2)3)4)5)
Read postamble	t_{RPST}	0.40	0.60	0.40	0.60	t_{CK}	2)3)4)5)
Active to Precharge command	t_{RAS}	42	70E+3	40	70E+3	ns	2)3)4)5)
Active to Active/Auto-refresh command period	t_{RC}	60	—	55	—	ns	2)3)4)5)
Auto-refresh to Active/Auto-refresh command period	t_{RFC}	72	—	65	—	ns	2)3)4)5)
Active to Read or Write delay	t_{RCD}	18	—	15	—	ns	2)3)4)5)
Precharge command period	t_{RP}	18	—	15	—	ns	2)3)4)5)
Active to Autoprecharge delay	t_{RAP}	18	—	15	—	ns	2)3)4)5)
Active bank A to Active bank B command	t_{RRD}	12	—	10	—	ns	2)3)4)5)
Write recovery time	t_{WR}	15	—	15	—	ns	2)3)4)5)
Auto precharge write recovery + precharge time	t_{DAL}					t_{CK}	2)3)4)5)11)
Internal write to read command delay	t_{WTR}	1	—	1	—	t_{CK}	2)3)4)5)
Exit self-refresh to non-read command	t_{XSNR}	75	—	75	—	ns	2)3)4)5)
Exit self-refresh to read command	t_{XSRD}	200	—	200	—	t_{CK}	2)3)4)5)
Average Periodic Refresh Interval	t_{REFI}	—	7.8	—	7.8	μ s	2)3)4)5)12)

- 1) $0^\circ\text{C} \leq T_A \leq 70^\circ\text{C}$; $V_{DDQ} = 2.5\text{V} \pm 0.2\text{V}$, $V_{DD} = +2.5\text{V} \pm 0.2\text{V}$ (DDR333); $V_{DDQ} = 2.6\text{V} \pm 0.1\text{V}$, $V_{DD} = +2.6\text{V} \pm 0.1\text{V}$ (DDR400)
- 2) Input slew rate $\geq 1\text{V/ns}$ for DDR400, DDR333
- 3) The CK/ $\overline{\text{CK}}$ input reference level (for timing reference to CK/ $\overline{\text{CK}}$) is the point at which CK and $\overline{\text{CK}}$ cross: the input reference level for signals other than CK/ $\overline{\text{CK}}$, is V_{REF} . CK/ $\overline{\text{CK}}$ slew rate are $\geq 1.0\text{V/ns}$.
- 4) Inputs are not recognized as valid until V_{REF} stabilizes.
- 5) The Output timing reference level, as measured at the timing reference point indicated in AC Characteristics (note 3) is V_{TT} .
- 6) These parameters guarantee device timing, but they are not necessarily tested on each device.

Electrical Characteristics

- 7) t_{HZ} and t_{LZ} transitions occur in the same access time windows as valid data transitions. These parameters are not referred to a specific voltage level, but specify when the device is no longer driving (HZ), or begins driving (LZ).
- 8) The specific requirement is that DQS be valid (HIGH, LOW, or some point on a valid transition) on or before this CK edge. A valid transition is defined as monotonic and meeting the input slew rate specifications of the device. When no writes were previously in progress on the bus, DQS will be transitioning from Hi-Z to logic LOW. If a previous write was in progress, DQS could be HIGH, LOW, or transitioning from HIGH to LOW at this time, depending on t_{DQSS} .
- 9) The maximum limit for this parameter is not a device limit. The device operates with a greater value for this parameter, but system performance (bus turnaround) degrades accordingly.
- 10) Fast slew rate ≥ 1.0 V/ns, slow slew rate ≥ 0.5 V/ns and < 1 V/ns for command/address and CK & \overline{CK} slew rate > 1.0 V/ns, measured between $V_{OH(ac)}$ and $V_{OL(ac)}$.
- 11) For each of the terms, if not already an integer, round to the next highest integer. t_{CK} is equal to the actual system clock cycle time.
- 12) A maximum of eight Autorefresh commands can be posted to any given DDR SDRAM device.

4 SPD Contents

Table 17 Operating, Standby and Refresh Currents (PC1600, -8)

Byte	Description	Part Number & Organization	HYS64D16301GU-8-B	HYS64D32300GU-8-B	HYS72D32300GU-8-B	HYS64D64320GU-8-B	HYS72D64320GU-8-B
			128MB	256MB	256MB	512MB	512MB
			× 64	× 64	× 72	× 64	× 72
			1 rank	1 rank	1 rank	2 ranks	2 ranks
HEX	HEX	HEX	HEX	HEX			
0	Number of SPD Bytes	128	80	80	80	80	80
1	Total Bytes in Serial PD	256	08	08	08	08	08
2	Memory Type	DDR-SDRAM	07	07	07	07	07
3	Number of Row Addresses	13	0D	0D	0D	0D	0D
4	Number of Column Addresses	9/10	09	0A	0A	0A	0A
5	Number of DIMM Banks	1/2	01	01	01	02	01
6	Module Data Width	× 64/× 72	40	40	48	40	48
7	Module Data Width (cont'd)	0	00	00	00	00	00
8	Module Interface Levels	SSTL_2.5	04	04	04	04	04
9	SDRAM Cycle Time at CL = 2.5	8 ns	80	80	80	80	80
10	Access Time from Clock at CL = 2.5	0.8 ns	80	80	80	80	80
11	DIMM config	non-ECC/ECC	00	00	02	00	02
12	Refresh Rate/Type	Self-Refresh 7.8 μs	82	82	82	82	82
13	SDRAM Width, Primary	× 16/× 8	10	08	08	08	08
14	Error Checking SDRAM Data Width	na/× 8	00	00	08	00	08
15	Minimum Clock Delay for Back-to-Back Random Column Address	$t_{CCD} = 1 \text{ CLK}$	01	01	01	01	01
16	Burst Length Supported	2, 4 & 8	0E	0E	0E	0E	0E

Table 17 Operating, Standby and Refresh Currents (PC1600, -8) (cont'd)

Byte	Description	Part Number & Organization	HYS64D16301GU-8-B	HYS64D32300GU-8-B	HYS72D32300GU-8-B	HYS64D64320GU-8-B	HYS72D64320GU-8-B
			128MB × 64 1 rank	256MB × 64 1 rank	256MB × 72 1 rank	512MB × 64 2 ranks	512MB × 72 2 ranks
			HEX	HEX	HEX	HEX	HEX
17	Number of SDRAM Banks	4	04	04	04	04	04
18	Supported CAS Latencies	CAS latency = 2 & 2.5	0C	0C	0C	0C	0C
19	CS Latencies	CS latency = 0	01	01	01	01	01
20	WE Latencies	Write latency = 1	02	02	02	02	02
21	SDRAM DIMM Module Attributes	unbuffered	20	20	20	20	20
22	SDRAM Device Attributes: General	–	C0	C0	C0	C0	C0
23	Min. Clock Cycle Time at CAS Latency = 2	10 ns	A0	A0	A0	A0	A0
24	Access Time from Clock for CL = 2	0.8 ns	80	80	80	80	80
25	Minimum Clock Cycle Time for CL = 1.5	not supported	00	00	00	00	00
26	Access Time from Clock at CL = 1.5	not supported	00	00	00	00	00
27	Minimum Row Precharge Time	20 ns	50	50	50	50	50
28	Minimum Row Act. to Row Act. Delay t_{RRD}	15 ns	3C	3C	3C	3C	3C
29	Minimum RAS to CAS Delay t_{RCD}	20 ns	50	50	50	50	50
30	Minimum RAS Pulse Width t_{RAS}	50 ns	32	32	32	32	32
31	Module Bank Density (per Bank)	256 MByte	20	40	40	40	40
32	Addr. and Command Setup Time	1.1 ns	B0	B0	B0	B0	B0
33	Addr. and Command Hold Time	1.1 ns	B0	B0	B0	B0	B0

Table 17 Operating, Standby and Refresh Currents (PC1600, -8) (cont'd)

		Part Number & Organization	HYS64D16301GU-8-B	HYS64D32300GU-8-B	HYS72D32300GU-8-B	HYS64D64320GU-8-B	HYS72D64320GU-8-B
			128MB	256MB	256MB	512MB	512MB
			× 64	× 64	× 72	× 64	× 72
			1 rank	1 rank	1 rank	2 ranks	2 ranks
Byte	Description		HEX	HEX	HEX	HEX	HEX
34	Data Input Setup Time	0.6 ns	60	60	60	60	60
35	Data Input Hold Time	0.6 ns	60	60	60	60	60
36 to 40	Superset Information	–	00	00	00	00	00
41	Minimum Core Cycle Time t_{RC}	70 ns	46	46	46	46	46
42	Min. Auto Refresh Cmd Cycle Time t_{FRC}	80 ns	50	50	50	48	50
43	Maximum Clock Cycle Time t_{CK}	12 ns	30	30	30	30	30
44	Max. DQS-DQ Skew t_{DQSQ}	0.6 ns	3C	3C	3C	3C	3C
45	X-Factor tQHS	1.0 ns	A0	A0	A0	A0	A0
46 to 61	Superset Information	–	00	00	00	00	00
62	SPD Revision	Revision 0.0	00	00	00	00	00
63	Checksum for Bytes 0 - 62	–	E8	A7	B9	A8	B9
64	Manufacturers JEDEC ID Codes	–	C1	C1	C1	C1	C1
65 to 71	Manufacturer	–	Infineon	Infineon	Infineon	Infineon	Infineon
72	Module Assembly Location	–	–	–	–	–	–
73 to 90	Module Part Number	–	–	–	–	–	–
91 to 92	Module Revision Code	–	–	–	–	–	–
93 to 94	Module Manufacturing Date	–	–	–	–	–	–
95 to 98	Module Serial Number	–	–	–	–	–	–
99 to 127	–	–	–	–	–	–	–
128 to 255	open for Customer use	–	–	–	–	–	–

Table 18 SPD Codes for PC2100 Modules “-7”

Byte	Description	Part Number & Organization	HYS64D16301GU-7-B	HYS64D32300GU-7-B HYS64D32300EU-7-B	HYS72D32300GU-7-B	HYS64D64320GU-7-B	HYS72D64320GU-7-B
			128MB × 64 1 rank	256MB × 64 1 rank	256MB × 72 1 rank	512MB × 64 2 ranks	512MB × 72 2 ranks
			HEX	HEX	HEX	HEX	HEX
0	Number of SPD Bytes	128	80	80	80	80	80
1	Total Bytes in Serial PD	256	08	08	08	08	08
2	Memory Type	DDR-SDRAM	07	07	07	07	07
3	Number of Row Addresses	13	0D	0D	0D	0D	0D
4	Number of Column Addresses	9/10	09	0A	0A	0A	0A
5	Number of DIMM Banks	1/2	01	01	01	02	01
6	Module Data Width	× 64/× 72	40	40	48	40	48
7	Module Data Width (cont'd)	0	00	00	00	00	00
8	Module Interface Levels	SSTL_2.5	04	04	04	04	04
9	SDRAM Cycle Time at CL = 2.5	7 ns	70	70	70	70	70
10	Access Time from Clock at CL = 2.5	0.75 ns	75	75	75	75	75
11	DIMM config	non-ECC/ECC	00	00	02	00	02
12	Refresh Rate/Type	Self-Refresh 7.8 μs	82	82	82	82	82
13	SDRAM Width, Primary	× 16/ × 8	10	08	08	08	08
14	Error Checking SDRAM Data Width	na/ × 8	00	00	08	00	08
15	Minimum Clock Delay for Back-to-Back Random Column Address	$t_{CCD} = 1 \text{ CLK}$	01	01	01	01	01
16	Burst Length Supported	2, 4 & 8	0E	0E	0E	0E	0E
17	Number of SDRAM Banks	4	04	04	04	04	04

Table 18 SPD Codes for PC2100 Modules “-7” (cont'd)

Byte	Description	Part Number & Organization	HYS64D16301GU-7-B	HYS64D32300GU-7-B HYS64D32300EU-7-B	HYS72D32300GU-7-B	HYS64D64320GU-7-B	HYS72D64320GU-7-B
			128MB × 64 1 rank	256MB × 64 1 rank	256MB × 72 1 rank	512MB × 64 2 ranks	512MB × 72 2 ranks
			HEX	HEX	HEX	HEX	HEX
18	Supported CAS Latencies	CAS latency = 2 & 2.5	0C	0C	0C	0C	0C
19	CS Latencies	CS latency = 0	01	01	01	01	01
20	WE Latencies	Write latency = 1	02	02	02	02	02
21	SDRAM DIMM Module Attributes	unbuffered	20	20	20	20	20
22	SDRAM Device Attributes: General	–	C0	C0	C0	C0	C0
23	Min. Clock Cycle Time at CAS Latency = 2	7.5 ns	75	75	75	75	75
24	Access Time from Clock for CL = 2	0.75 ns	75	75	75	75	75
25	Minimum Clock Cycle Time for CL = 1.5	not supported	00	00	00	00	00
26	Access Time from Clock at CL = 1.5	not supported	00	00	00	00	00
27	Minimum Row Precharge Time	20 ns	50	50	50	50	50
28	Minimum Row Act. to Row Act. Delay t_{RRD}	15 ns	3C	3C	3C	3C	3C
29	Minimum RAS to CAS Delay t_{RCD}	20 ns	50	50	50	50	50
30	Minimum RAS Pulse Width t_{RAS}	45 ns	2D	2D	2D	2D	2D
31	Module Bank Density (per Bank)	128 MByte/256 MByte	20	40	40	40	40
32	Addr. and Command Setup Time	0.9 ns	90	90	90	90	90
33	Addr. and Command Hold Time	0.9 ns	90	90	90	90	90
34	Data Input Setup Time	0.5 ns	50	50	50	50	50
35	Data Input Hold Time	0.5 ns	50	50	50	50	50

Table 18 SPD Codes for PC2100 Modules “-7” (cont'd)

Byte	Description	Part Number & Organization	HYS64D16301GU-7-B	HYS64D32300GU-7-B HYS64D32300EU-7-B	HYS72D32300GU-7-B	HYS64D64320GU-7-B	HYS72D64320GU-7-B
			128MB × 64 1 rank	256MB × 64 1 rank	256MB × 72 1 rank	512MB × 64 2 ranks	512MB × 72 2 ranks
			HEX	HEX	HEX	HEX	HEX
36 to 40	Superset Information	–	00	00	00	00	00
41	Minimum Core Cycle Time t_{RC}	65 ns	41	41	41	41	41
42	Min. Auto Refresh Cmd Cycle Time t_{FRC}	75 ns	4B	4B	4B	4B	4B
43	Maximum Clock Cycle Time t_{CK}	12 ns	30	30	30	30	30
44	Max. DQS-DQ Skew t_{DQSQ}	0.5 ns	32	32	32	32	32
45	X-Factor tQHS	0.75 ns	75	75	75	75	75
46 to 61	Superset Information	–	00	00	00	00	00
62	SPD Revision	Revision 0.0	00	00	00	00	00
63	Checksum for Bytes 0 - 62	–	99	B2	C4	B3	C4
64	Manufacturers JEDEC ID Codes	–	C1	C1	C1	C1	C1
65 to 71	Manufacturer	–	Infineon	Infineon	Infineon	Infineon	Infineon
72	Module Assembly Location	–	–	–	–	–	–
73 to 90	Module Part Number	–	–	–	–	–	–
91 to 92	Module Revision Code	–	–	–	–	–	–
93 to 94	Module Manufacturing Date	–	–	–	–	–	–
95 to 98	Module Serial Number	–	–	–	–	–	–
99 to 127	–	–	–	–	–	–	–
128 to 255	open for Customer use	–	–	–	–	–	–

Table 19 SPD Codes for PC2100 Modules “-7F”

		Part Number & Organization	HYS72D32300GU-7F-B	HYS64D64320GU-7F-B
			256MB	512MB
			× 72	× 72
			1 rank	1 rank
Byte	Description		HEX	HEX
0	Number of SPD Bytes	128	80	80
1	Total Bytes in Serial PD	256	08	08
2	Memory Type	DDR-SDRAM	07	07
3	Number of Row Addresses	13	0D	0D
4	Number of Column Addresses	9/10	0A	0A
5	Number of DIMM Banks	1/2	01	02
6	Module Data Width	× 64/× 72	48	48
7	Module Data Width (cont'd)	0	00	00
8	Module Interface Levels	SSTL_2.5	04	04
9	SDRAM Cycle Time at CL = 2.5	7 ns	70	70
10	Access Time from Clock at CL = 2.5	0.75 ns	75	75
11	DIMM config	non-ECC/ECC	02	02
12	Refresh Rate/Type	Self-Refresh 7.8 μs	82	82
13	SDRAM Width, Primary	× 16/ × 8	08	08
14	Error Checking SDRAM Data Width	na/ × 8	08	08
15	Minimum Clock Delay for Back-to-Back Random Column Address	$t_{CCD} = 1 \text{ CLK}$	01	01
16	Burst Length Supported	2, 4 & 8	0E	0E
17	Number of SDRAM Banks	4	04	04
18	Supported CAS Latencies	CAS latency = 2 & 2.5	0C	0C
19	CS Latencies	CS latency = 0	01	01
20	WE Latencies	Write latency = 1	02	02
21	SDRAM DIMM Module Attributes	unbuffered	20	20
22	SDRAM Device Attributes: General	–	C0	C0

Table 19 SPD Codes for PC2100 Modules “-7F” (cont'd)

Byte	Description	Part Number & Organization	HYS72D32300GU-7F-B	HYS64D64320GU-7F-B
			256MB ×72 1 rank	512MB ×72 1 rank
			HEX	HEX
23	Min. Clock Cycle Time at CAS Latency = 2	7.5 ns	75	75
24	Access Time from Clock for CL = 2	0.75 ns	75	75
25	Minimum Clock Cycle Time for CL = 1.5	not supported	00	00
26	Access Time from Clock at CL = 1.5	not supported	00	00
27	Minimum Row Precharge Time	15 ns	3C	3C
28	Minimum Row Act. to Row Act. Delay t_{RRD}	15 ns	3C	3C
29	Minimum RAS to CAS Delay t_{RCD}	15 ns	3C	3C
30	Minimum RAS Pulse Width t_{RAS}	45 ns	2D	2D
31	Module Bank Density (per Bank)	128 MByte/256 MByte	40	40
32	Addr. and Command Setup Time	0.9 ns	90	90
33	Addr. and Command Hold Time	0.9 ns	90	90
34	Data Input Setup Time	0.5 ns	50	50
35	Data Input Hold Time	0.5 ns	50	50
36 to 40	Superset Information	–	00	00
41	Minimum Core Cycle Time t_{RC}	60 ns	3C	3C
42	Min. Auto Refresh Cmd Cycle Time t_{FRC}	75 ns	4B	4B
43	Maximum Clock Cycle Time t_{CK}	12 ns	30	30
44	Max. DQS-DQ Skew t_{DQSQ}	0.5 ns	32	32
45	X-Factor tQHS	0.75 ns	75	75

Table 19 SPD Codes for PC2100 Modules “-7F” (cont'd)

Byte	Description	Part Number & Organization	HYS72D32300GU-7F-B	HYS64D64320GU-7F-B
			256MB	512MB
			×72	×72
			1 rank	1 rank
			HEX	HEX
46 to 61	Superset Information	–	00	00
62	SPD Revision	Revision 0.0	00	00
63	Checksum for Bytes 0 - 62	–	97	98
64	Manufactures JEDEC ID Codes	–	C1	C1
65 to 71	Manufacturer	–	Infineon	Infineon
72	Module Assembly Location	–	–	–
73 to 90	Module Part Number	–	–	–
91 to 92	Module Revision Code	–	–	–
93 to 94	Module Manufacturing Date	–	–	–
95 to 98	Module Serial Number	–	–	–
99 to 127	–	–	–	–
128 to 255	open for Customer use	–	–	–

Table 20 SPD Codes for PC2700 Modules “-6”

Byte	Description	Part Number & Organization	HYS64D16301GU-6-B	HYS64D32300GU-6-B	HYS72D32300GU-6-B	HYS64D64320GU-6-B	HYS72D64320GU-6-B
			128MB × 64 1 rank	256MB × 64 1 rank	256MB × 72 1 rank	512MB × 64 2 ranks	512MB × 72 2 ranks
			HEX	HEX	HEX	HEX	HEX
0	Number of SPD Bytes	128	80	80	80	80	80
1	Total Bytes in Serial PD	256	08	08	08	08	08
2	Memory Type	DDR-SDRAM	07	07	07	07	07
3	Number of Row Addresses	13	0D	0D	0D	0D	0D
4	Number of Column Addresses	9/10	09	0A	0A	0A	0A
5	Number of DIMM Banks	1/2	01	01	01	02	01
6	Module Data Width	× 64/× 72	40	40	48	40	48
7	Module Data Width (cont'd)	0	00	00	00	00	00
8	Module Interface Levels	SSTL_2.5	04	04	04	04	04
9	SDRAM Cycle Time at CL = 2.5	6 ns	60	60	60	60	60
10	Access Time from Clock at CL = 2.5	0.75 ns	70	70	70	70	70
11	DIMM config	non-ECC/ECC	00	00	02	00	02
12	Refresh Rate/Type	Self-Refresh 7.8 μs	82	82	82	82	82
13	SDRAM Width, Primary	× 16/ × 8	10	08	08	08	08
14	Error Checking SDRAM Data Width	na/ × 8	00	00	08	00	08
15	Minimum Clock Delay for Back-to-Back Random Column Address	$t_{CCD} = 1 \text{ CLK}$	01	01	01	01	01
16	Burst Length Supported	2, 4 & 8	0E	0E	0E	0E	0E
17	Number of SDRAM Banks	4	04	04	04	04	04

Table 20 SPD Codes for PC2700 Modules “-6” (cont'd)

Byte	Description	Part Number & Organization	HYS64D16301GU-6-B	HYS64D32300GU-6-B	HYS72D32300GU-6-B	HYS64D64320GU-6-B	HYS72D64320GU-6-B
			128MB × 64 1 rank	256MB × 64 1 rank	256MB × 72 1 rank	512MB × 64 2 ranks	512MB × 72 2 ranks
			HEX	HEX	HEX	HEX	HEX
18	Supported CAS Latencies	CAS latency = 2 & 2.5	0C	0C	0C	0C	0C
19	CS Latencies	CS latency = 0	01	01	01	01	01
20	WE Latencies	Write latency = 1	02	02	02	02	02
21	SDRAM DIMM Module Attributes	unbuffered	20	20	20	20	20
22	SDRAM Device Attributes: General	–	C0	C0	C0	C0	C0
23	Min. Clock Cycle Time at CAS Latency = 2	7.5 ns	75	75	75	75	75
24	Access Time from Clock for CL = 2	0.70 ns	70	70	70	70	70
25	Minimum Clock Cycle Time for CL = 1.5	not supported	00	00	00	00	00
26	Access Time from Clock at CL = 1.5	not supported	00	00	00	00	00
27	Minimum Row Precharge Time	18 ns	48	48	48	48	48
28	Minimum Row Act. to Row Act. Delay t_{RRD}	12 ns	30	30	30	30	30
29	Minimum RAS to CAS Delay t_{RCD}	18 ns	48	48	48	48	48
30	Minimum RAS Pulse Width t_{RAS}	42 ns	2A	2A	2A	2A	2A
31	Module Bank Density (per Bank)	128 MByte/256 MByte	20	40	40	40	40
32	Addr. and Command Setup Time	0.75 ns	75	75	75	75	75
33	Addr. and Command Hold Time	0.75 ns	75	75	75	75	75
34	Data Input Setup Time	0.45 ns	45	45	45	45	45
35	Data Input Hold Time	0.45 ns	45	45	45	45	45

Table 20 SPD Codes for PC2700 Modules “-6” (cont'd)

		Part Number & Organization	HYS64D16301GU-6-B	HYS64D32300GU-6-B	HYS72D32300GU-6-B	HYS64D64320GU-6-B	HYS72D64320GU-6-B
			128MB	256MB	256MB	512MB	512MB
			× 64	× 64	× 72	× 64	× 72
			1 rank	1 rank	1 rank	2 ranks	2 ranks
Byte	Description		HEX	HEX	HEX	HEX	HEX
36 to 40	Superset Information	–	00	00	00	00	00
41	Minimum Core Cycle Time t_{RC}	60 ns	3C	3C	3C	3C	3C
42	Min. Auto Refresh Cmd Cycle Time t_{FRC}	72 ns	48	48	48	48	48
43	Maximum Clock Cycle Time t_{CK}	12 ns	30	30	30	30	30
44	Max. DQS-DQ Skew t_{DQSQ}	0.45 ns	2D	2D	2D	2D	2D
45	X-Factor tQHS	0.55 ns	55	55	55	55	55
46 to 61	Superset Information	–	00	00	00	00	00
62	SPD Revision	Revision 0.0	00	00	00	00	00
63	Checksum for Bytes 0 - 62	–	E7	00	12	01	12
64	Manufacturers JEDEC ID Codes	–	C1	C1	C1	C1	C1
65 to 71	Manufacturer	–	Infineon	Infineon	Infineon	Infineon	Infineon
72	Module Assembly Location	–	–	–	–	–	–
73 to 90	Module Part Number	–	–	–	–	–	–
91 to 92	Module Revision Code	–	–	–	–	–	–
93 to 94	Module Manufacturing Date	–	–	–	–	–	–
95 to 98	Module Serial Number	–	–	–	–	–	–
99 to 127	–	–	–	–	–	–	–
128 to 255	open for Customer use	–	–	–	–	–	–

Table 21 SPD Codes for PC3200 Modules “-5”

Byte	Description	Part Number & Organization	HYS64D16301GU-5-B	HYS64D32300GU-5-B	HYS72D32300GU-5-B	HYS64D64320GU-5-B	HYS72D64320GU-5-B
			128MB × 64 1 rank	256MB × 64 1 rank	256MB × 72 1 rank	512MB × 64 2 ranks	512MB × 72 2 ranks
			HEX	HEX	HEX	HEX	HEX
0	Programmed SPD Bytes in E2PROM	128	80	80	80	80	80
1	Total number of Bytes in E2PROM	256	08	08	08	08	08
2	Memory Type DDR-I = 07h	DDR-SDRAM	07	07	07	07	07
3	# of Row Addresses	13	0D	0D	0D	0D	0D
4	# Number of Column Addresses	9/10	09	0A	0A	0A	0A
5	# of DIMM Banks	1/2	01	01	01	02	02
6	Data Width (LSB)	× 64/× 72	40	40	48	40	48
7	Data Width (MSB)	0	00	00	00	00	00
8	Interface Voltage Levels	SSTL_2.5	04	04	04	04	04
9	tCK @ CLmax (Byte 18) [ns]	5 ns	50	50	50	50	50
10	tAC SDRAM @ CLmax (Byte 18) [ns]	0.50 ns	50	50	50	50	50
11	DIMM Configuration Type (non- / ECC)	non-ECC/ECC	00	00	02	00	02
12	Refresh Rate	Self-Refresh 7.8 μs	82	82	82	82	82
13	Primary SDRAM width	× 16/× 8	10	08	08	08	08
14	Error Checking SDRAM width	na/× 8	00	00	08	00	08
15	tCCD [cycles]	t _{CCD} = 1 CLK	01	01	01	01	01
16	Burst Length Supported	2, 4 & 8	0E	0E	0E	0E	0E
17	Number of Banks on SDRAM	4	04	04	04	04	04
18	CAS Latency	CAS latency = 2, 2.5, 3	1C	1C	1C	1C	1C
19	CS Latency	CS latency = 0	01	01	01	01	01
20	WE (Write) Latency	Write latency = 1	02	02	02	02	02
21	DIMM Attributes	unbuffered	20	20	20	20	20
22	Component Attributes	–	C1	C1	C1	C1	C1
23	tCK @ CLmax -0.5 (Byte 18) [ns]	6.0 ns	60	60	60	60	60
24	tAC SDRAM @ CLmax -0.5 [ns]	0.50 ns	50	50	50	50	50
25	tCK @ CLmax -1 (Byte 18) [ns]	7.5 ns	75	75	75	75	75
26	tAC SDRAM @ CLmax -1 [ns]	not supported	50	50	50	50	50
27	tRPmin (ns)	15 ns	3C	3C	3C	3C	3C
28	tRRDmin [ns]	10 ns	28	28	28	28	28

Table 21 SPD Codes for PC3200 Modules “-5” (cont'd)

Byte	Description	Part Number & Organization	HYS64D16301GU-5-B	HYS64D32300GU-5-B	HYS72D32300GU-5-B	HYS64D64320GU-5-B	HYS72D64320GU-5-B
			128MB × 64 1 rank	256MB × 64 1 rank	256MB × 72 1 rank	512MB × 64 2 ranks	512MB × 72 2 ranks
			HEX	HEX	HEX	HEX	HEX
29	tRCDmin [ns]	15 ns	3C	3C	3C	3C	3C
30	tRASmin [ns]	40 ns	28	28	28	28	28
31	Module Density per Bank	128 MByte/ 256 MByte	20	40	40	40	40
32	tAS, tCS [ns]	0.60 ns	60	60	60	60	60
33	tAH, TCH [ns]	0.60 ns	60	60	60	60	60
34	tDS [ns]	0.40 ns	40	40	40	40	40
35	tDH [ns]	0.40 ns	40	40	40	40	40
36 - 40	not used	–	00	00	00	00	00
41	tRCmin [ns]	55 ns	37	37	37	37	37
42	tRFCmin [ns]	65 ns	41	41	41	41	41
43	tCKmax [ns]	10 ns	28	28	28	28	28
44	tDQSQmax [ns]	0.40 ns	28	28	28	28	28
45	tQHSmax [ns]	0.50 ns	50	50	50	50	50
46 - 61	not used	–	00	00	00	00	00
62	SPD Revision	Revision 0.0	00	00	00	00	00
63	Checksum of Byte 0-62 (LSB only)	–	E4	FD	0F	FE	10
64	JEDEC ID Code for Infineon	–	C1	C1	C1	C1	C1
65	JEDEC ID Code for Infineon	“I”	49	49	49	49	49
66	JEDEC ID Code for Infineon	“N”	4E	4E	4E	4E	4E
67	JEDEC ID Code for Infineon	“F”	46	46	46	46	46
68	JEDEC ID Code for Infineon	“I”	49	49	49	49	49
69	JEDEC ID Code for Infineon	“N”	4E	4E	4E	4E	4E
70	JEDEC ID Code for Infineon	“E”	45	45	45	45	45
71	JEDEC ID Code for Infineon	“O”	4F	4F	4F	4F	4F
72	Module Manufacturer Location	–	xx	xx	xx	xx	xx
73	Module Part Number, Char 1	–	36	36	37	36	37
74	Module Part Number, Char 2	–	34	34	32	34	32
75	Module Part Number, Char 3	–	44	44	44	44	44

Table 21 SPD Codes for PC3200 Modules “-5” (cont'd)

Byte	Description	Part Number & Organization	HYS64D16301GU-5-B	HYS64D32300GU-5-B	HYS72D32300GU-5-B	HYS64D64320GU-5-B	HYS72D64320GU-5-B
			128MB × 64 1 rank	256MB × 64 1 rank	256MB × 72 1 rank	512MB × 64 2 ranks	512MB × 72 2 ranks
			HEX	HEX	HEX	HEX	HEX
76	Module Part Number, Char 4	-	31	33	33	36	36
77	Module Part Number, Char 5	-	36	32	32	34	34
78	Module Part Number, Char 6	-	33	33	33	33	33
79	Module Part Number, Char 7	-	30	30	30	32	32
80	Module Part Number, Char 8	-	31	30	30	30	30
81	Module Part Number, Char 9	-	47	47	47	47	47
82	Module Part Number, Char 10	-	55	55	55	55	55
83	Module Part Number, Char 11	-	35	35	35	35	35
84	Module Part Number, Char 12	-	42	42	42	42	42
85	Module Part Number, Char 13	-	20	20	20	20	20
86	Module Part Number, Char 14	-	20	20	20	20	20
87	Module Part Number, Char 15	-	20	20	20	20	20
88	Module Part Number, Char 16	-	20	20	20	20	20
89	Module Part Number, Char 17	-	20	20	20	20	20
90	Module Part Number, Char 18	-	20	20	20	20	20
91	Module Revision Code	-	xx	xx	xx	xx	xx
92	Test Program Revision Code	-	xx	xx	xx	xx	xx
93	Module Manufacturing Date Year	-	xx	xx	xx	xx	xx
94	Module Manufacturing Date Week	-	xx	xx	xx	xx	xx
95	Module Serial Number	-	xx	xx	xx	xx	xx
96	Module Serial Number	-	xx	xx	xx	xx	xx
97	Module Serial Number	-	xx	xx	xx	xx	xx
98	Module Serial Number	-	xx	xx	xx	xx	xx
99 - 127	not used	-	00	00	00	00	00

5 Package Outlines

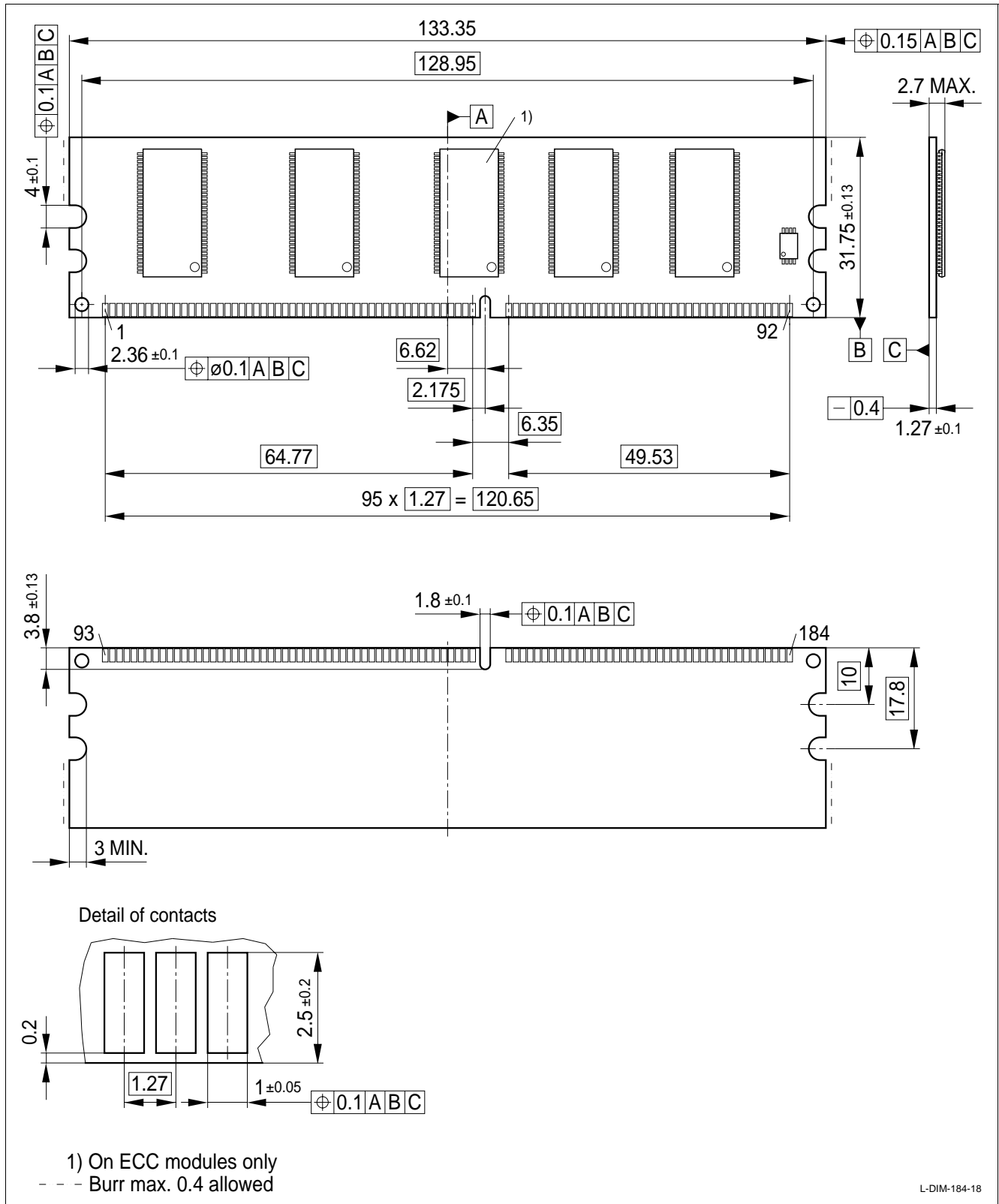


Figure 7 Package Outline - Raw Card C (128 MByte, 1 Rank Module)

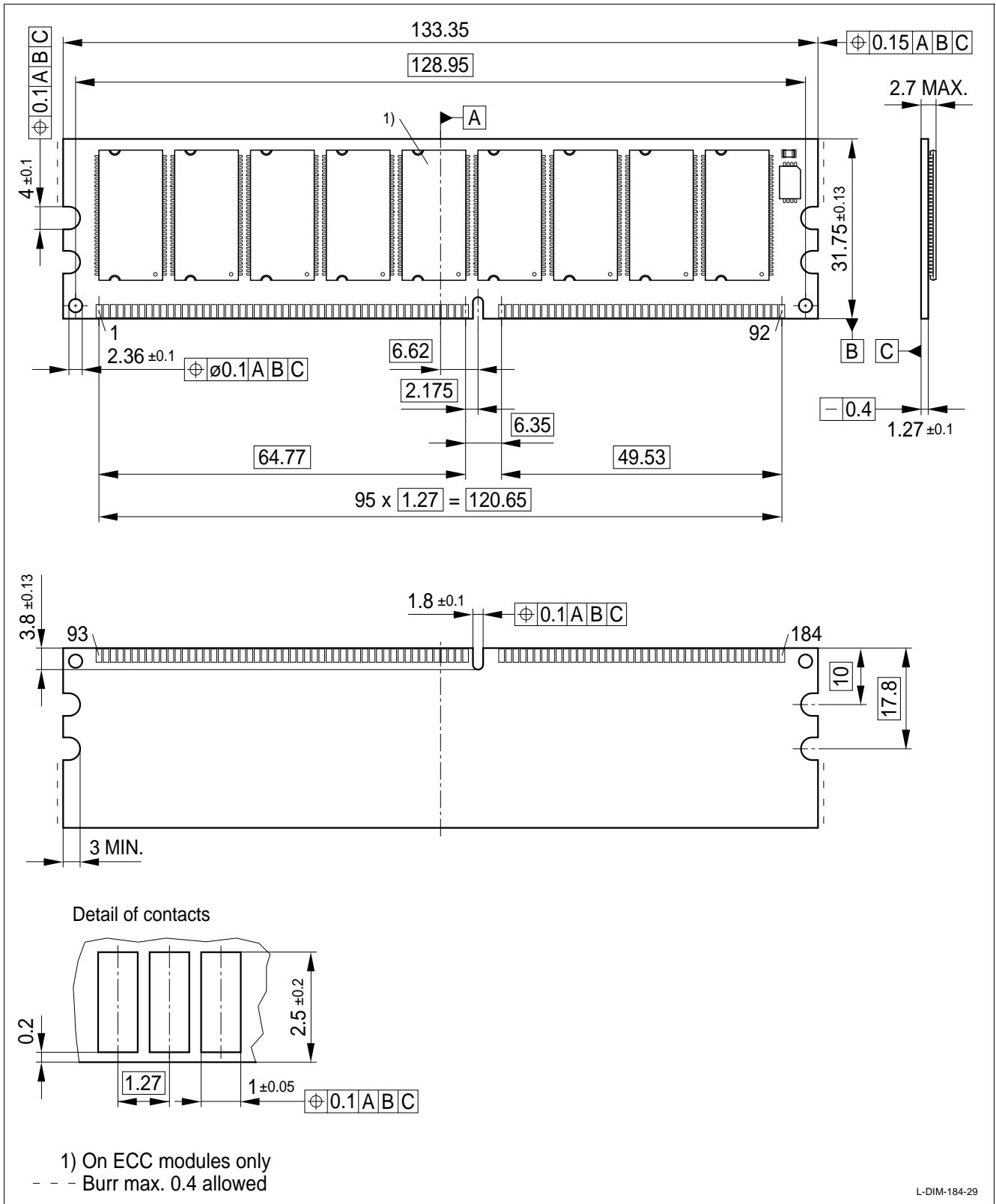


Figure 8 Package Outline - Raw Card A (256 MByte, 1 Rank Module, -7 and -8)

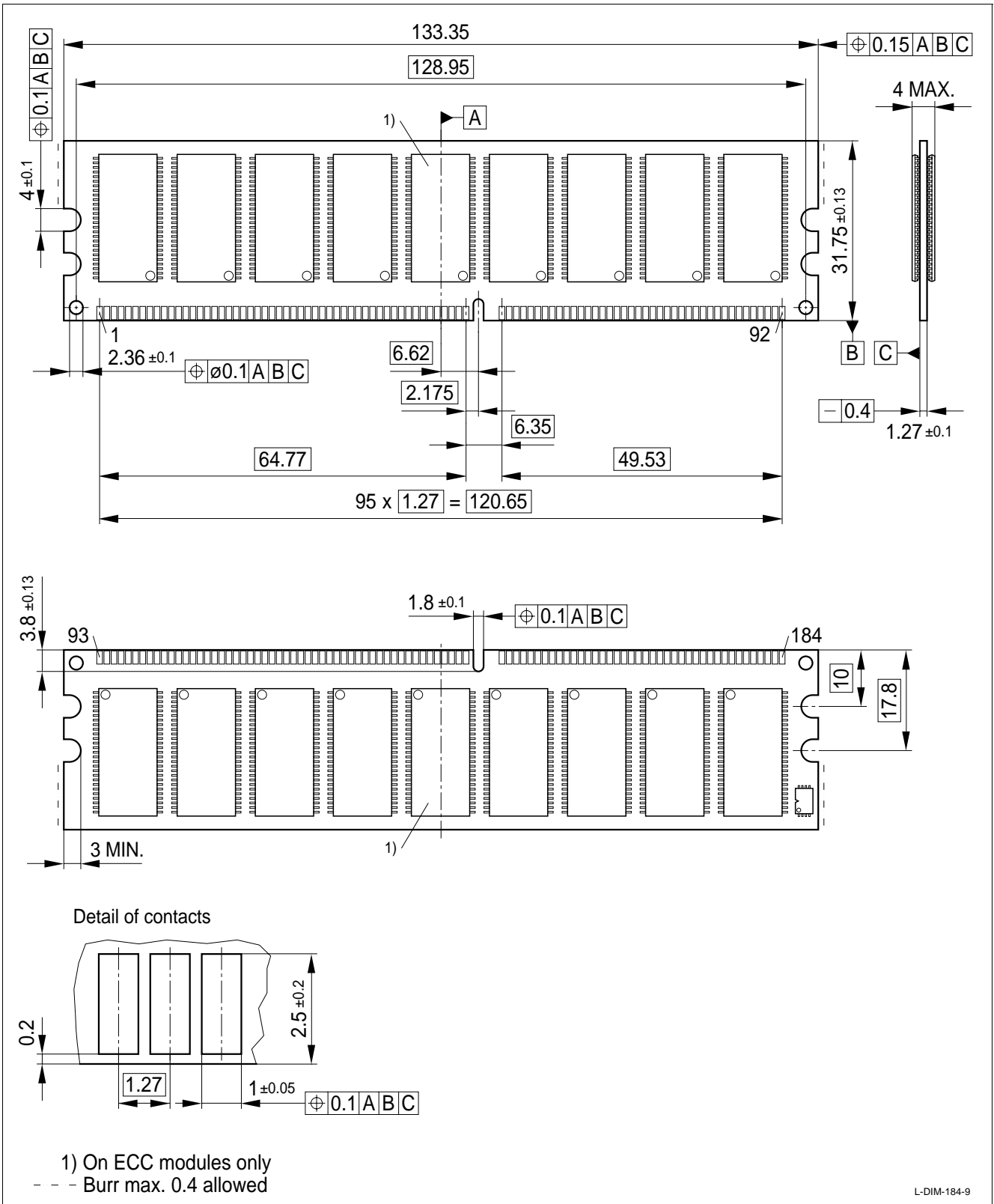


Figure 9 Package Outline - Raw Card B (512 MByte, 2 Rank Module, -7 and -8)

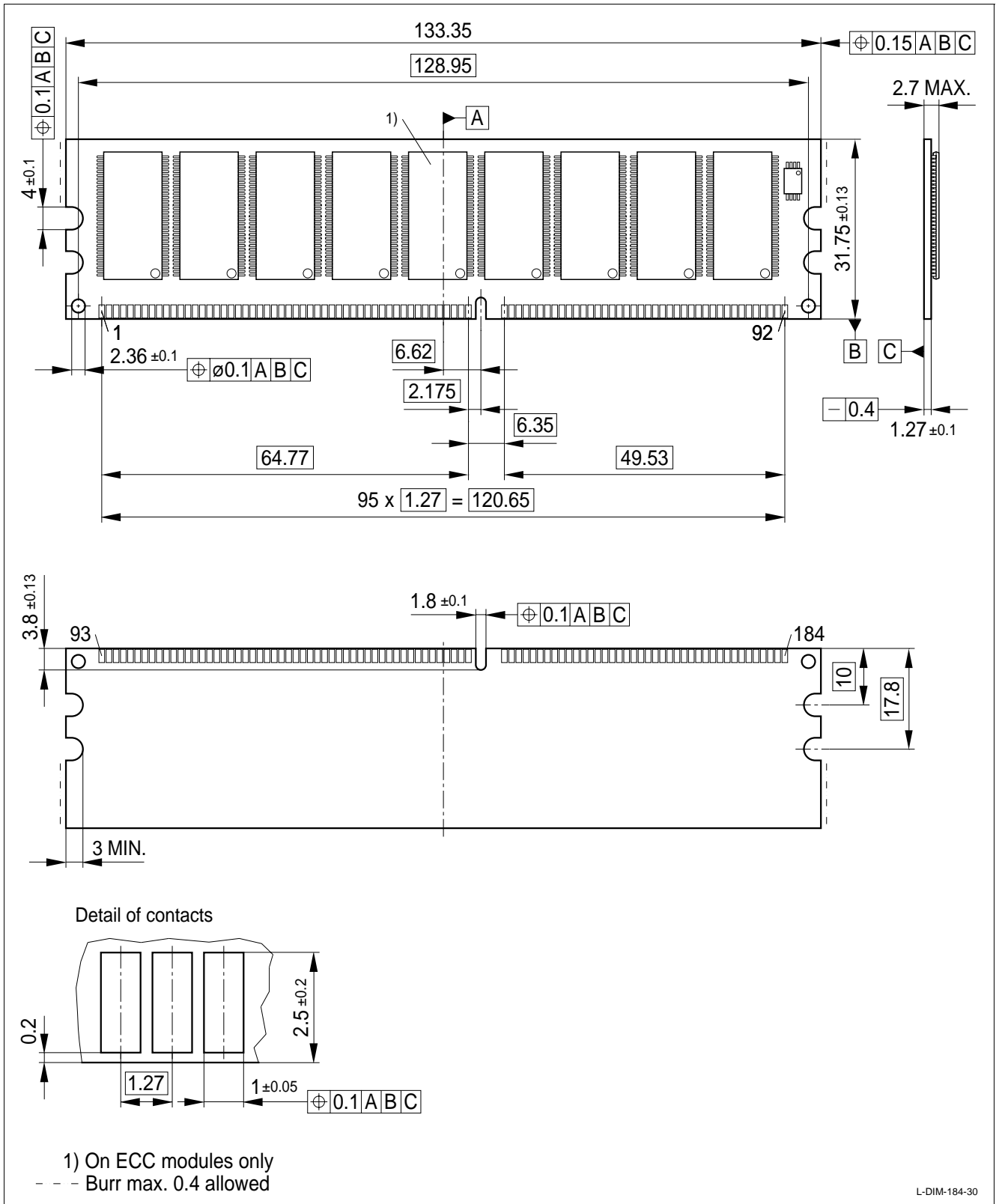


Figure 10 Package Outline - Raw Card A (256 MByte, 1 Rank Module, -5 and -6, ECC)

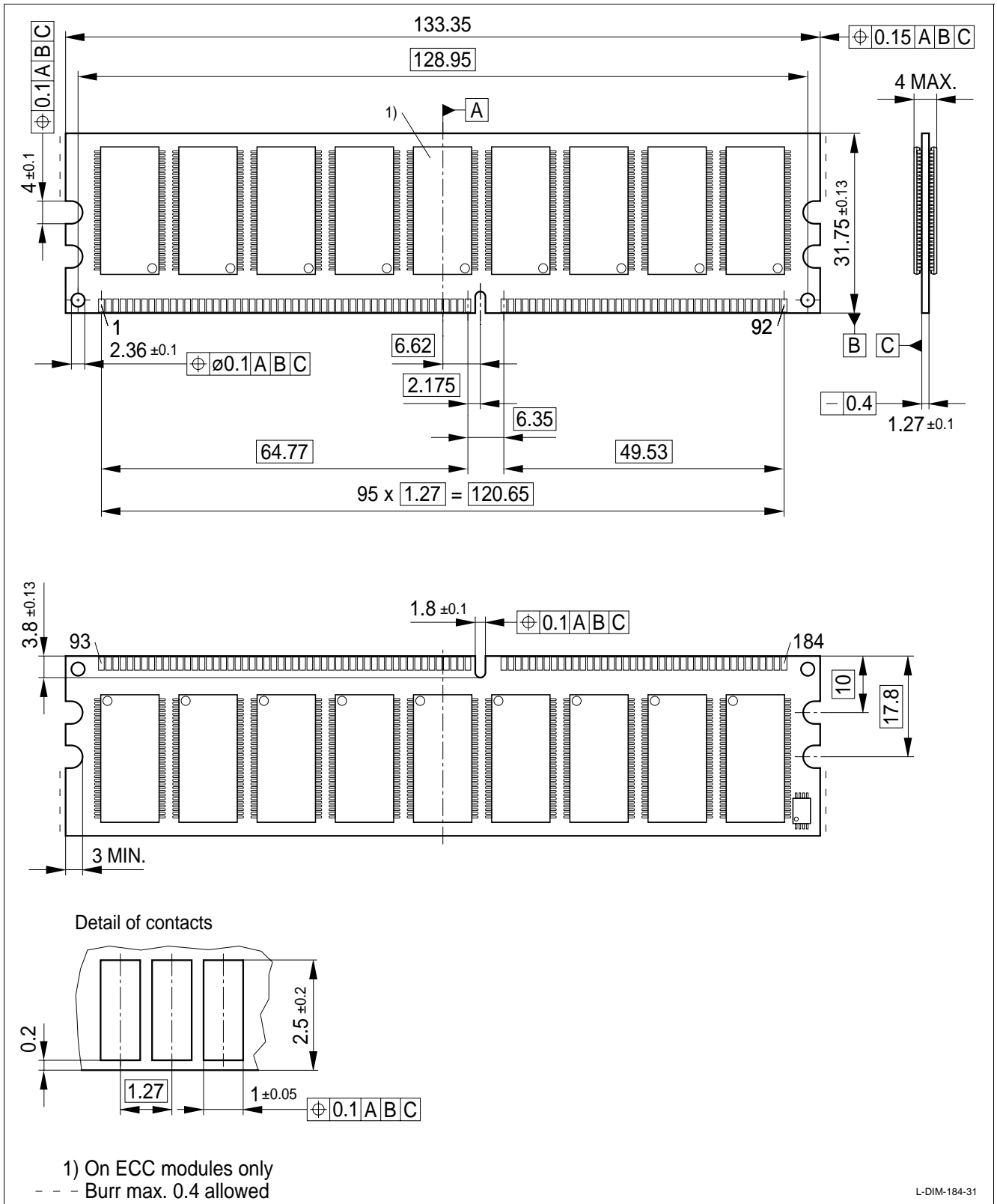


Figure 11 Package Outline - Raw Card B (512 MByte, 2 Rank Module, -5 and -6, ECC)

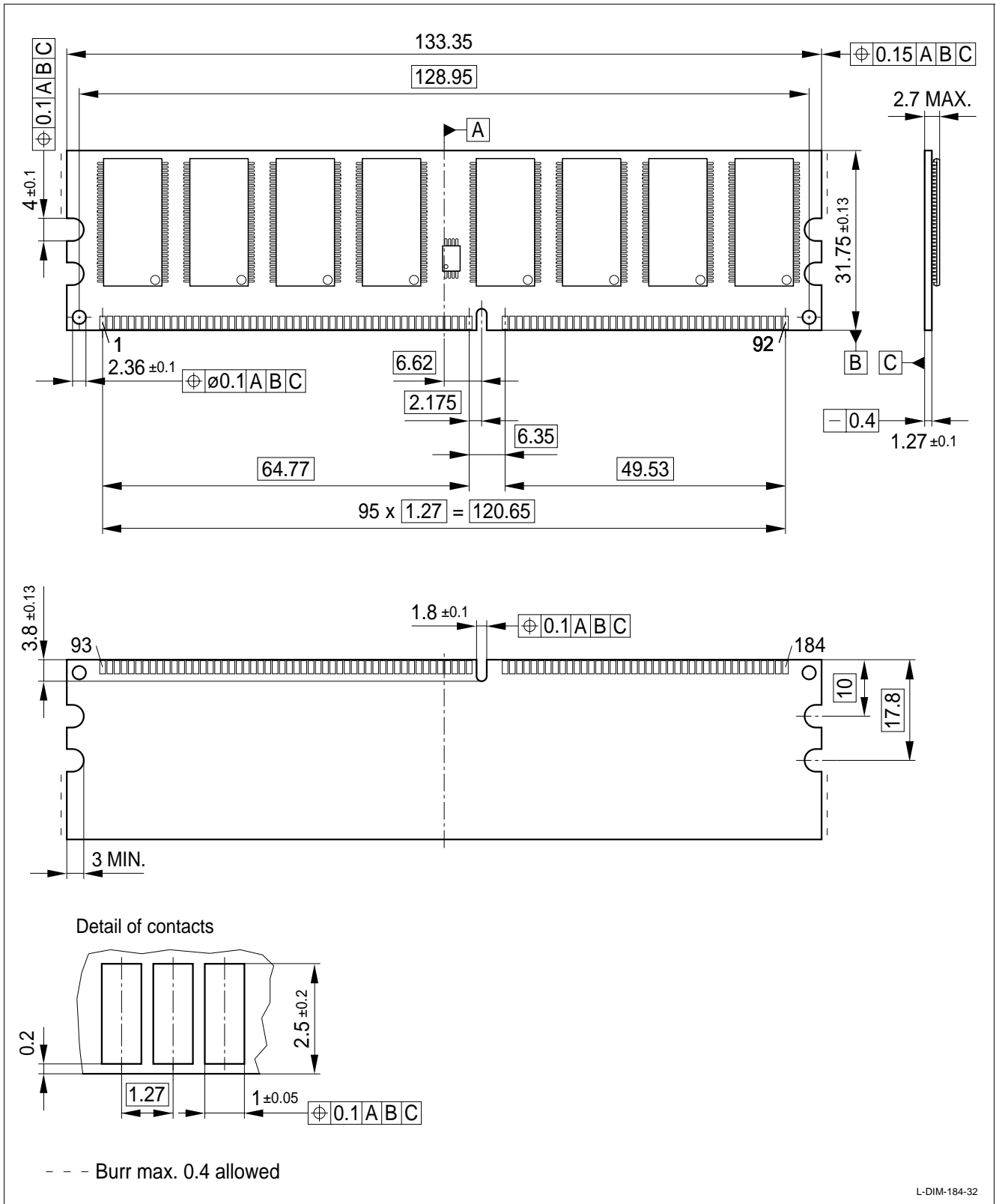


Figure 12 Package Outline - Raw Card A (256 MByte, 1 Rank Module, -5 and -6, Non ECC)

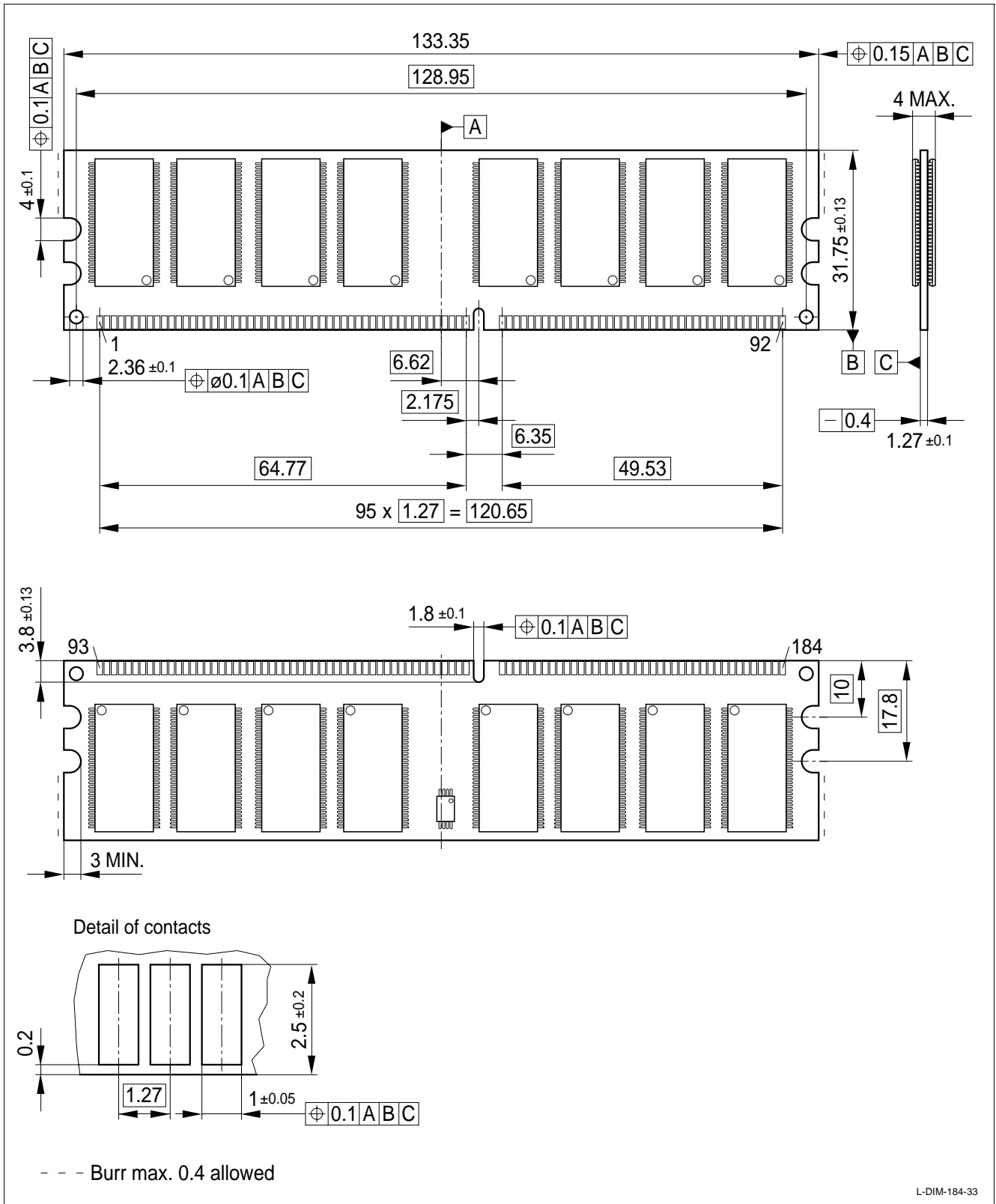


Figure 13 Package Outline - Raw Card B (512 MByte, 2 Rank Module, -5 and -6, Non ECC)

www.infineon.com

Published by Infineon Technologies AG