

### Features

- Wide supply voltage range: 2.4V~5.5V
- Low power consumption
- 16-bit dynamic range
- Low total harmonic distortion
- Stereo audio outputs
- Data in 2's complement format, TTL
- Minimum number of external components is required
- Low clock jitter sensitivity
- Built-in highly efficient earphone driver
- 16-pin NSOP package

### Applications

- MP3 player
- CD/VCD ROM and player
- Satellite/cable STB
- Digital portable audio/video equipment

### General Description

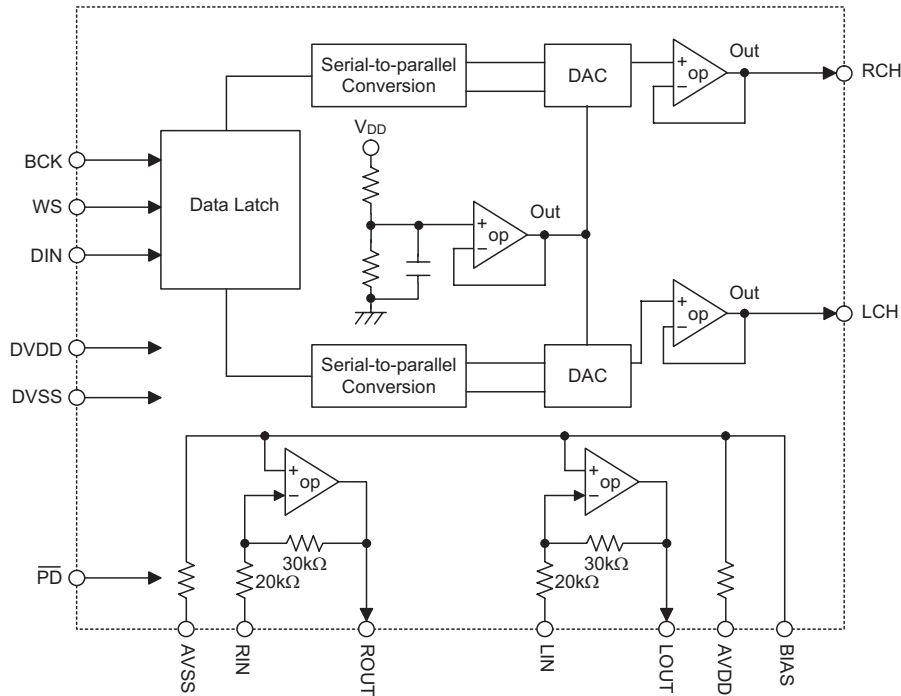
HT82V737 is a low power consumption stereo DAC with an integrated earphone driver. The device utilizes CMOS technology specially for portable MP3 players, VCD and CD machines.

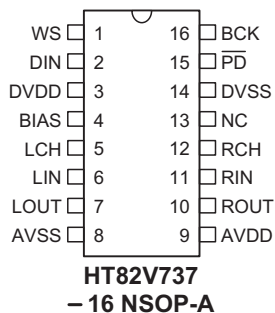
It converts the 16 bits serial data into an analog output voltage by high precision D/A converter. It can be used with the Japanese input format: time multiplexed, two's complement, MSB first TTL level serial input. With its excellent frequency response characteristics, the

HT82V737 provides users a low cost means of implementing high quality audio voltage outputs. It also builds in a class AB stereo driver and some application circuits, thus, requires minimal external components.

The HT82V737 can support low voltage operation at 2.4V so it is very suitable for portable battery powered audio device. A low supply in power down mode current reduces power consumption. It is available in small 16-pin NSOP package.

### Block Diagram



**Pin Assignment**

**Pin Description**

Pin No.	Pin Name	I/O	Description
1	WS	I	Word select input
2	DIN	I	Data input
3	DVDD	—	Digital positive power supply
4	BIAS	—	Connect a capacitor to ground to increase half-supply stability
5	LCH	O	Left DAC analog output
6	LIN	I	Left inverting output
7	LOUT	O	Left earphone driver analog output
8	AVSS	—	Analog negative power supply, ground
9	AVDD	—	Analog positive power supply
10	ROUT	O	Right earphone driver analog output
11	RIN	I	Right inverting input
12	RCH	O	Right DAC analog output
13	NC	—	No connection
14	DVSS	—	Digital negative power supply, ground
15	$\overline{\text{PD}}$	I	When low, the HT82V737 is powered down
16	BCK	I	Bit serial clock input

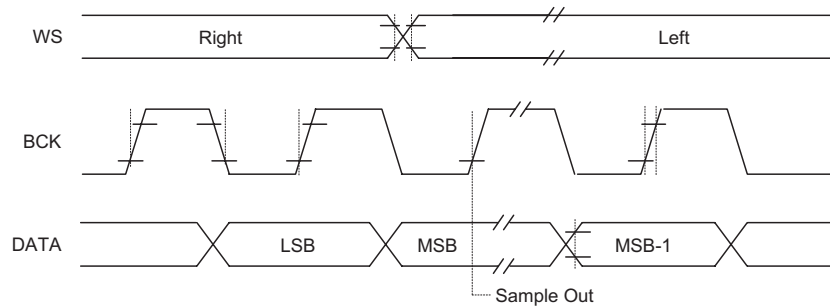
**Absolute Maximum Ratings**

Supply Voltage ..... $V_{SS}-0.3V$  to  $V_{SS}+5.5V$       Storage Temperature ..... $-50^{\circ}\text{C}$  to  $125^{\circ}\text{C}$   
 Input Voltage ..... $V_{SS}-0.3V$  to  $V_{DD}+0.3V$       Operating Temperature ..... $-20^{\circ}\text{C}$  to  $70^{\circ}\text{C}$

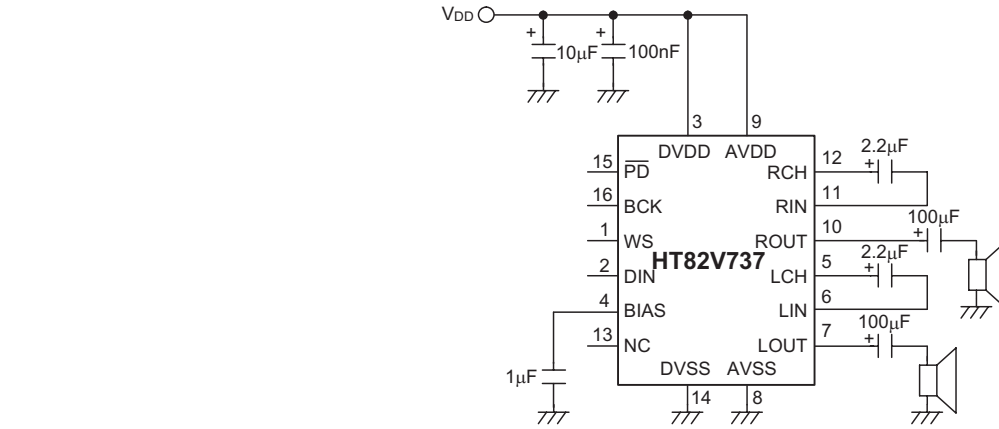
Note: These are stress ratings only. Stresses exceeding the range specified under "Absolute Maximum Ratings" may cause substantial damage to the device. Functional operation of this device at other conditions beyond those listed in the specification is not implied and prolonged exposure to extreme conditions may affect device reliability.

**Electrical Characteristics**
 $V_{SS}=0V$ ;  $f_i=1kHz$ ;  $R_L=32\Omega$ ;  $T_a=25^\circ C$ 

Symbol	Parameter	Test Conditions		Min.	Typ.	Max.	Unit
		V <sub>DD</sub>	Conditions				
<b>Supplies</b>							
DV <sub>DD</sub>	Digital Supply Voltage	—	—	2.4	—	5.5	V
AV <sub>DD</sub>	Analog Supply Voltage	—	—	2.4	—	5.5	V
I <sub>DD</sub>	Supply Current	3.3V	No load	—	5	7	mA
I <sub>PD</sub>	Power-down Current	3.3V	Power-down; $\overline{PD}=0V$	—	1	—	$\mu A$
P <sub>tot</sub>	Total Power dissipation	3.3V	No load	—	17	—	mW
<b>D.C. Characteristics</b>							
I <sub>O</sub>	Maximum Output Current	3.3V	(THD+N)/S<0.1%	—	20	—	mA
V <sub>O</sub>	Output Voltage Swing	3.3V	R <sub>L</sub> =32 $\Omega$	0.35	—	3	V
			R <sub>L</sub> =16 $\Omega$	0.17	—	3.15	V
			R <sub>L</sub> =5k $\Omega$	0.5	—	3.29	V
X <sub>TALK</sub>	Channel Separation	3.3V	P <sub>O</sub> =200mW, R <sub>L</sub> =8 $\Omega$ , 32 $\Omega$	—	85	—	V
<b>A.C. Characteristics</b>							
(THD+N)/S	Total Harmonic Distortion	3.3V	P <sub>O</sub> =30mW, 32 $\Omega$ , 1kHz, 0dB	—	0.1	—	%
S/N	Signal to Noise Ratio	3.3V	Weighed at code =0000H	—	95	—	dB
ATT	Power-down Attenuation	3.3V	1kHz, 0dB	—	110	—	dB

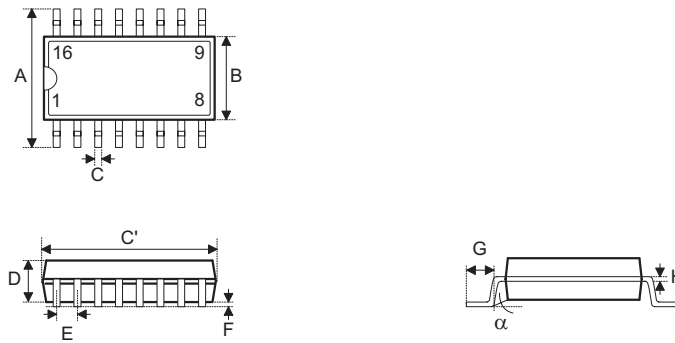
**Timing Diagrams**

**Timing and Input Signals**

Application Circuits



**Package Information**

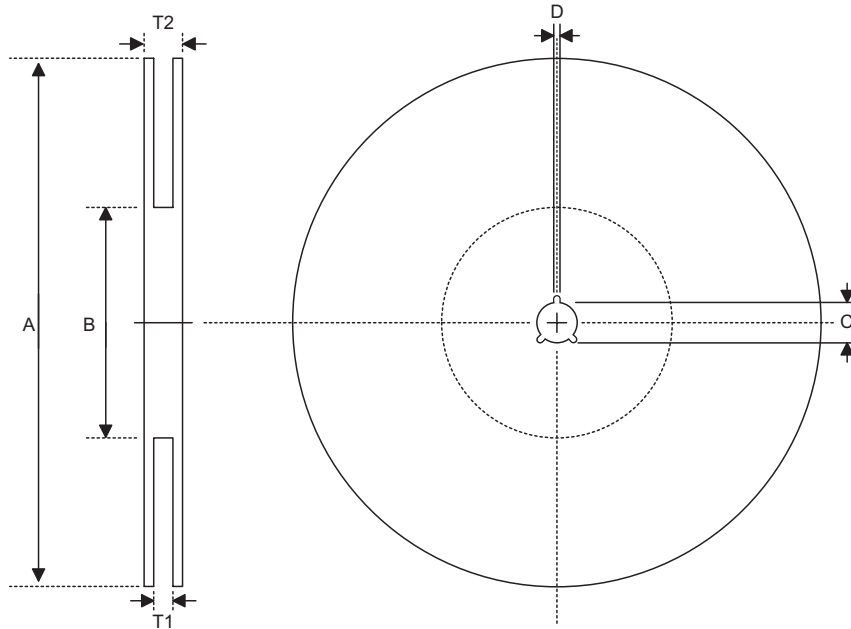
**16-pin NSOP (150mil) Outline Dimensions**



Symbol	Dimensions in mil		
	Min.	Nom.	Max.
A	228	—	244
B	149	—	157
C	14	—	20
C'	386	—	394
D	53	—	69
E	—	50	—
F	4	—	10
G	22	—	28
H	4	—	12
$\alpha$	0°	—	10°

**Product Tape and Reel Specifications**

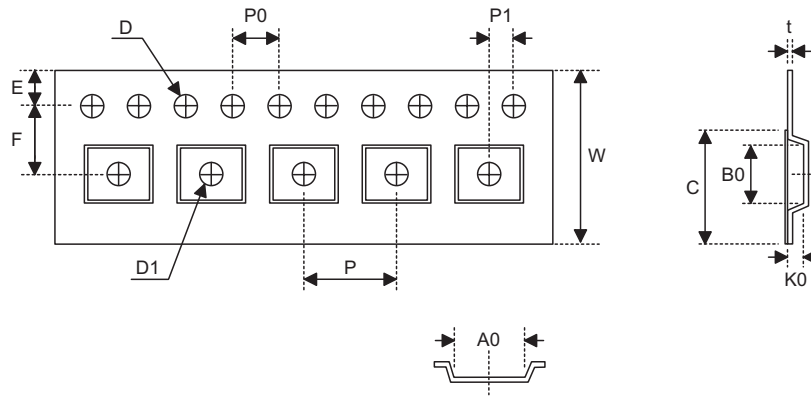
**Reel Dimensions**



SOP 16N (150mil)

Symbol	Description	Dimensions in mm
A	Reel Outer Diameter	330±1.0
B	Reel Inner Diameter	62±1.5
C	Spindle Hole Diameter	13.0+0.5 -0.2
D	Key Slit Width	2.0±0.5
T1	Space Between Flange	16.8+0.3 -0.2
T2	Reel Thickness	22.2±0.2

**Carrier Tape Dimensions**



SOP 16N (150mil)

Symbol	Description	Dimensions in mm
W	Carrier Tape Width	16.0±0.3
P	Cavity Pitch	8.0±0.1
E	Perforation Position	1.75±0.1
F	Cavity to Perforation (Width Direction)	7.5±0.1
D	Perforation Diameter	1.55±0.1
D1	Cavity Hole Diameter	1.5±0.25
P0	Perforation Pitch	4.0±0.1
P1	Cavity to Perforation (Length Direction)	2.0±0.1
A0	Cavity Length	6.5±0.1
B0	Cavity Width	10.3±0.1
K0	Cavity Depth	2.1±0.1
t	Carrier Tape Thickness	0.3±0.05
C	Cover Tape Width	13.3

**Holtek Semiconductor Inc. (Headquarters)**

No.3, Creation Rd. II, Science Park, Hsinchu, Taiwan  
Tel: 886-3-563-1999  
Fax: 886-3-563-1189  
<http://www.holtek.com.tw>

**Holtek Semiconductor Inc. (Taipei Sales Office)**

4F-2, No. 3-2, YuanQu St., Nankang Software Park, Taipei 115, Taiwan  
Tel: 886-2-2655-7070  
Fax: 886-2-2655-7373  
Fax: 886-2-2655-7383 (International sales hotline)

**Holtek Semiconductor Inc. (Shanghai Sales Office)**

7th Floor, Building 2, No.889, Yi Shan Rd., Shanghai, China 200233  
Tel: 021-6485-5560  
Fax: 021-6485-0313  
<http://www.holtek.com.cn>

**Holtek Semiconductor Inc. (Shenzhen Sales Office)**

43F, SEG Plaza, Shen Nan Zhong Road, Shenzhen, China 518031  
Tel: 0755-8346-5589  
Fax: 0755-8346-5590  
ISDN: 0755-8346-5591

**Holtek Semiconductor Inc. (Beijing Sales Office)**

Suite 1721, Jinyu Tower, A129 West Xuan Wu Men Street, Xicheng District, Beijing, China 100031  
Tel: 010-6641-0030, 6641-7751, 6641-7752  
Fax: 010-6641-0125

**Holmate Semiconductor, Inc. (North America Sales Office)**

46712 Fremont Blvd., Fremont, CA 94538  
Tel: 510-252-9880  
Fax: 510-252-9885  
<http://www.holmate.com>

Copyright © 2003 by HOLTEK SEMICONDUCTOR INC.

The information appearing in this Data Sheet is believed to be accurate at the time of publication. However, Holtek assumes no responsibility arising from the use of the specifications described. The applications mentioned herein are used solely for the purpose of illustration and Holtek makes no warranty or representation that such applications will be suitable without further modification, nor recommends the use of its products for application that may present a risk to human life due to malfunction or otherwise. Holtek's products are not authorized for use as critical components in life support devices or systems. Holtek reserves the right to alter its products without prior notification. For the most up-to-date information, please visit our web site at <http://www.holtek.com.tw>.