

GERMANIUM POWER TRANSISTORS

PRO ELECTRON TYPES

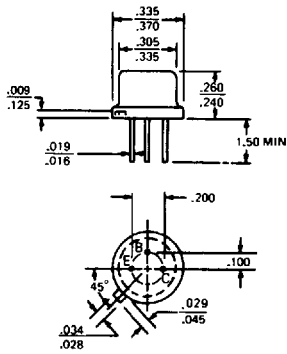
Type Number	V_{CB0} V max	V_{CE0} V max	V_{EB0} V max	I_C A max	CURRENT GAIN at			f_r MHz	$R_{\theta j-c}$ °C/W max	Outlines	NOTES
					h_{FE} min-max	V_{CE} V	I_C A				
AD130	32	30	10	3	20-40	1	1	0.35	1.5	127	AD130—III
	32	30	10	3	30-60	1	1	0.35	1.5	127	—IV
	32	30	10	3	50-100	1	1	0.35	1.5	127	—V
AD131	64	45	20	3	20-40	1	1	0.35	1.5	127	AD131—III
	64	45	20	3	30-60	1	1	0.35	1.5	127	—IV
	64	45	20	3	50-100	1	1	0.35	1.5	127	—V
AD132	80	60	20	3	30-60	1	1	0.35	1.5	127	AD132—IV
	80	60	20	3	50-100	1	1	0.35	1.5	127	—V
AD133	50	32	10	15	20-40	0.5	5	0.3	1.5	128	AD133—III
	50	32	10	15	30-60	0.5	5	0.3	1.5	128	—IV
	50	32	10	15	50-100	0.5	5	0.3	1.5	128	—V
AD136	40	22	10	10	30-60	0.5	5	0.3	5	129	AD136—IV
	40	22	10	10	50-100	0.5	5	0.3	5	129	—V
	40	22	10	10	75-150	0.5	5	0.3	5	129	—VI
AD140	55	55		3	30-100	1	1		1.5	127	
AD142	80	50		10	30-200	2	1	0.45	1.5	127	
AD143	40	35	10	10	30-200	2	1	0.45	1.5	127	
AD148	32	26	10	3.5	30-60	1	1	0.45	4	127	AD148—IV
	32	26	10	3.5	50-100	1	1	0.45	4	127	—V
AD149	50	30	20	3.5	30-60	1	1	0.3	2	127	AD149—IV
	50	30	20	3.5	50-100	1	1	0.3	2	127	—V
AD150	32	30	10	3.5	30-60	1	1	0.45	2	127	AD150—IV
	32	30	10	3.5	50-100	1	1	0.45	2	127	—V
AD163	100	80	20	3	12.5-25	1	1	0.35	1.5	127	AD163—II
	100	80	20	3	20-40	1	1	0.35	1.5	127	—III
	100	80	20	3	30-60	1	1	0.35	1.5	127	—IV
ADY10	32	30	16		40-70	0.3	0.05	0.35	5	129	
ADY11	60	45	16	0.6	30-50	0.3	0.05	0.35	5	129	
ADY12	32	30	16	0.6	60-100	0.3	0.05	0.35	5	129	
ADY13	60	45	16	0.6	40-70	0.3	0.05	0.35	5	129	
ADY20	60	45	16	0.6	60-100	0.3	0.05	0.35	5	129	
ADY26	80	60	40	25	15	0	25	0.1	0.8	131	
ADY27	32	30	10	3.5	30-60	1	1	0.45	2	127	ADY27—IV
	32	30	10	3.5	50-100	1	1	0.45	2	127	ADY27—V
ADZ11	50	40	30	20	40-120	0	1.2		0.8	131	
ADZ12	80	60	50	20	40-120	0	1.2		0.8	131	
AL100	130	60	2	10	40-250	2.0	1.0	4.0	1.5	127	
AL102	130	60	2	6	40-250	2.0	1.0	4.0	1.5	127	
AL103	100	40	1.5	6	40-250	2.0	1.0	3.0	1.5	127	
ASZ15	100	60	40	8	20-55	1	1	0.2		127	
ASZ16	60	32	20	8	45-130	1	1	0.25		127	
ASZ17	60	32	20	8	25-75	1	1	0.22		127	
ASZ18	100	32	40	8	30-110	1	1	0.22		127	
ASZ1015	80	60	40	6	15-30	1	6	0.2	2	127	
ASZ1016	60	32	20	6	35-80	1	6	0.25	2	127	
ASZ1017	60	32	20	6	20-45	1	6	0.22	2	127	
ASZ1018	80	32	40	6	20-65	1	6	0.22	2	127	
AU106	320		2	10	15-80	1.3	6.0	2.0	1.5	127	
AU107	200		2	10	35-120	2.0	0.7	2.0	1.5	127	
AU108	100		2	10	35-200	2.0	0.7		1.5	127	
AU110	160		2	10	20-90	2.0	1.0		1.5	127	
AU111	320		2	10	15-80	1.3	6.0	2.0	1.5	127	
AU112	320		2	10	15-40	1.3	6.0	2.0	1.5	127	
AU113	250		2	10	15-80	1.3	6.0		1.5	127	
AUY18	64	45	20	8	30-60	0.5	5	0.3	5	129	—IV
	64	45	20	8	50-100	0.5	5	0.3	5	129	—V
AUY19	64	45	20	3	20-40	1	1	0.35	1.5	127	—III
	64	45	20	3	30-60	1	1	0.35	1.5	127	—IV
	64	45	20	3	50-100	1	1	0.35	1.5	127	—V
AUY20	80	60	20	3	20-40	1	1	0.35	1.5	127	—III
	80	60	20	3	30-60	1	1	0.35	1.5	127	—IV
	80	60	20	3	50-100	1	1	0.35	1.5	127	—V
AUY21	65	45	20	10	12.5-25	0.5	5	0.3	1.5	128	—II
	65	45	20	10	20-40	0.5	5	0.3	1.5	128	—III
	65	45	20	10	30-60	0.5	5	0.3	1.5	128	—IV

Outline numbers refer to Pro-Electron designations.

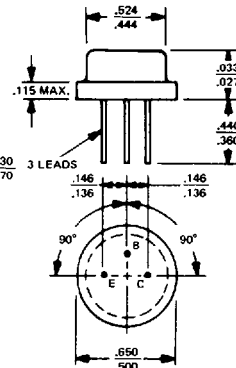
GERMANIUM POWER TRANSISTORS

CASE OUTLINE DRAWINGS & DIMENSIONS

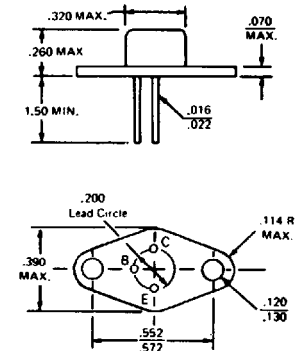
TO-5



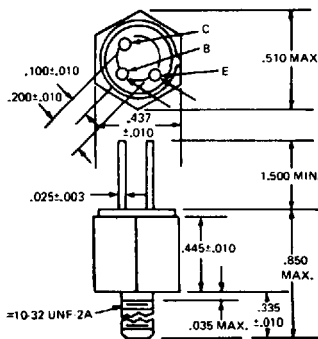
TO-8



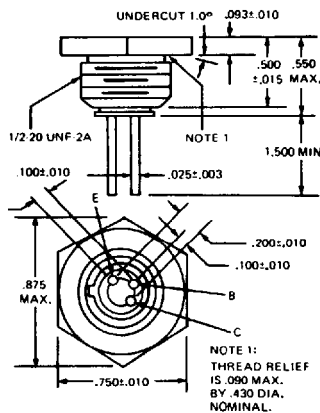
TO-37



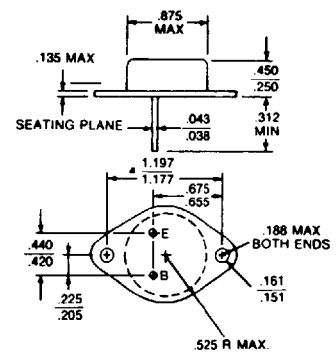
MT-27



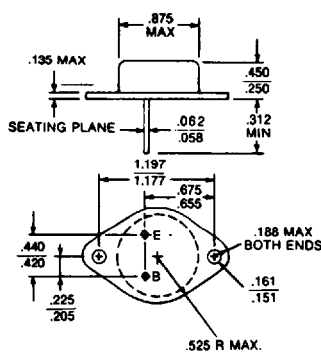
MT-28



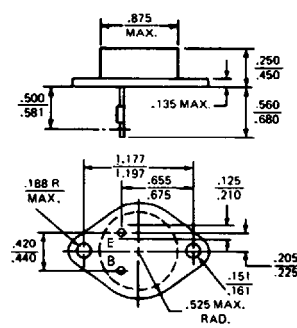
TO-3



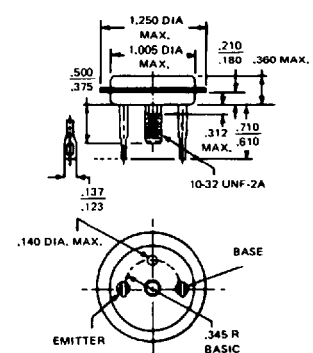
MODIFIED TO-3
(60 mil pins)



TO-41



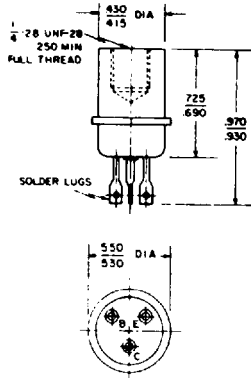
TO-36



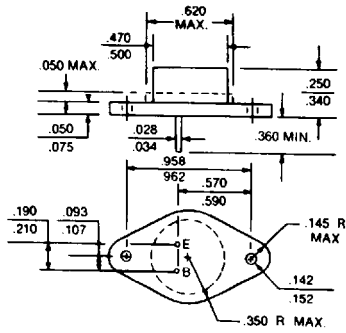
GERMANIUM POWER TRANSISTORS

CASE OUTLINE DRAWINGS & DIMENSIONS

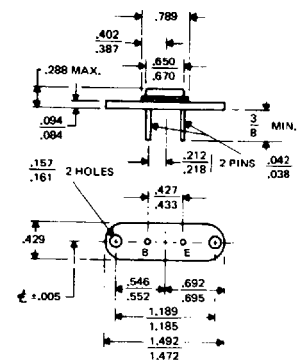
TO-13



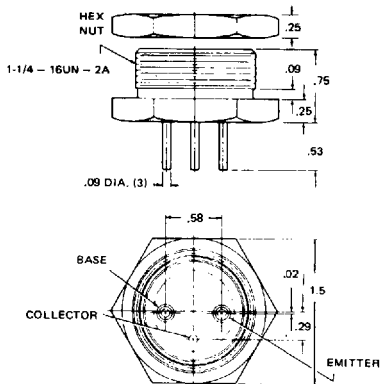
TO-66



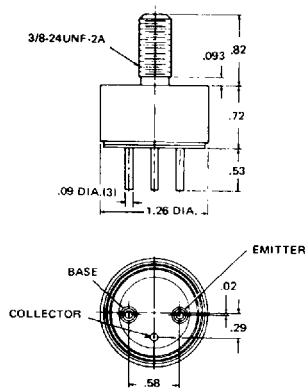
MS-7



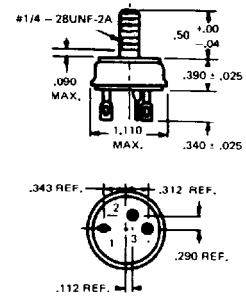
MT-22



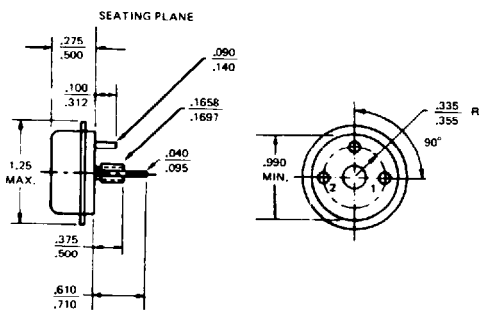
MT-23



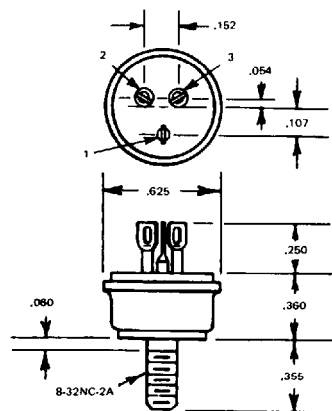
MT-7



TO-68



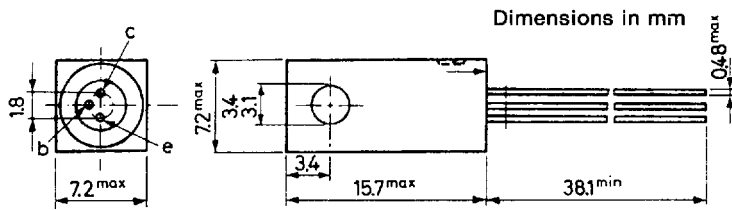
MT-36



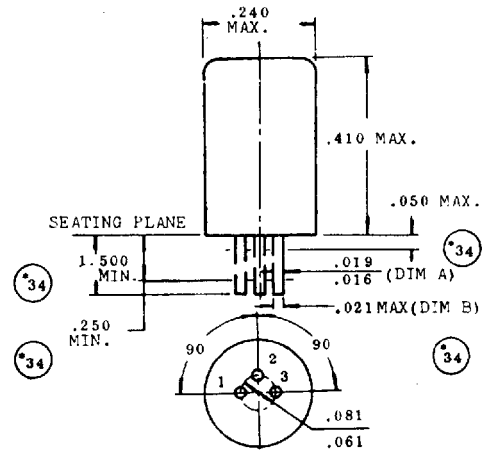
GERMANIUM POWER TRANSISTORS

CASE OUTLINE DRAWINGS & DIMENSIONS

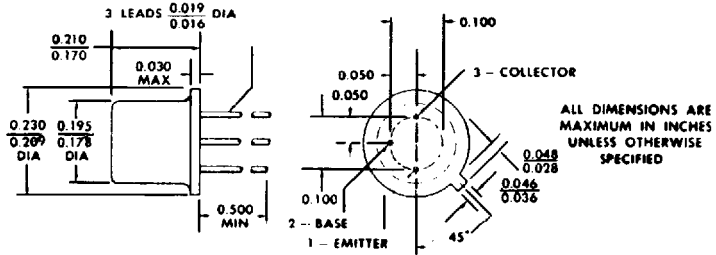
NS257



TO-1



TO-18



THE COLLECTOR IS ELECTRICAL CONTACT WITH THE CASE.

ALL JEDEC TO-18 DIMENSIONS AND NOTES ARE APPLICABLE.



GERMANIUM POWER DEVICES CORP.

300 Brickstone Square · York Street · P.O. Box 3065
Shawsheen Village Station · Andover, Massachusetts 01810
Telephone (508) 475-5982 · FAX (508) 470-1512

26

Printed in U.S.A.

■ 3947375 0000689 52T ■

54134