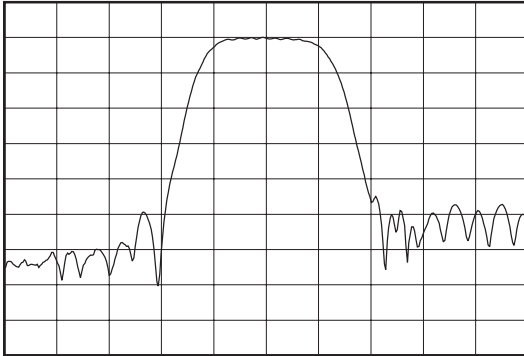
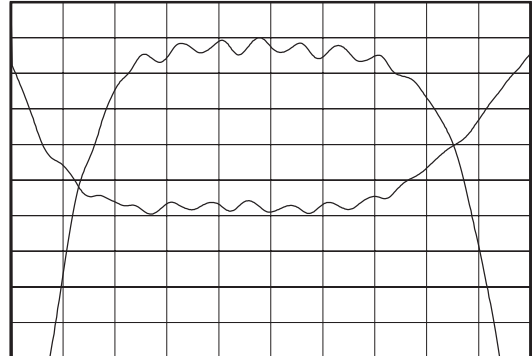


Data Sheet

Typical Performance



Horizontal: 1 MHz/Div
Vertical: 10 dB/Div

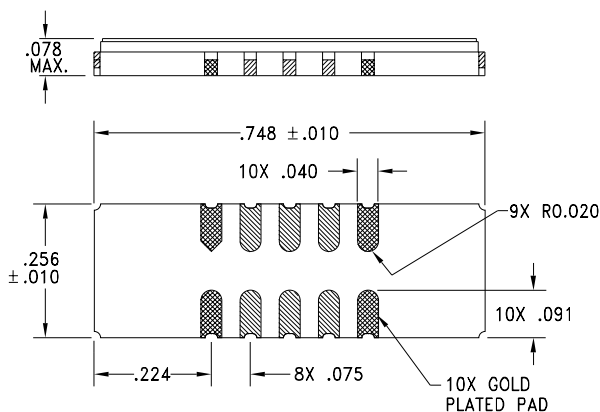


Horizontal: 300 kHz/Div
Vertical: 1 dB/Div
Vertical: 10 degrees/Div

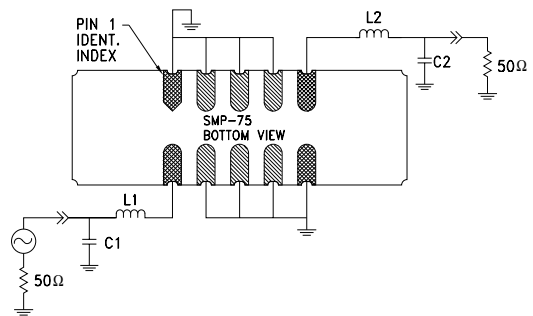
Specifications

Parameter	Unit	Minimum	Typical	Maximum
Center Frequency	MHz	69.92	70	70.08
Insertion Loss at F_o	dB	-	7.85	8.25
1 dB Bandwidth	MHz	1.3	1.7	-
3 dB Bandwidth	MHz	2	2.1	-
40 dB Bandwidth	MHz	-	3.85	4.25
Passband Ripple	dB	-	0.6	1
Phase Linearity (70% of 3 dB Bandwidth)	deg	-	5	8
Group Delay Variation (70% of 3 dB Bandwidth)	nsec	-	250	340
Absolute Delay	μ sec	-	2.19	-
Substrate Material	-	-	LiTaO ₃	-
Temperature Coefficient	ppm/ $^{\circ}$ C	-	-23	-
Ambient Temperature	$^{\circ}$ C	-	25	-

Package Outline



Matching Configuration



L1 = 150 nH, L2 = 150 nH
C1 = 56 pf, C2 = 56 pf
Nominal Source/Load Impedance = 50 Ω
Package Style SMP-75

6/2/00