

RS232-to-Wiegand Bidirectional Dual Wiegand Port Converter (MA1505)

MaCaPS MA1505 is a RS232-to-Wiegand Bidirectional Dual Wiegand Port converter. The converter can automatically convert Wiegand input from 3-bit up to 42-bit to a formatted ASCII string. When the formatted ASCII string is used as input to the RS232 port of another MA1405 unit, the formatted ASCII string is reconverted to Wiegand format output.



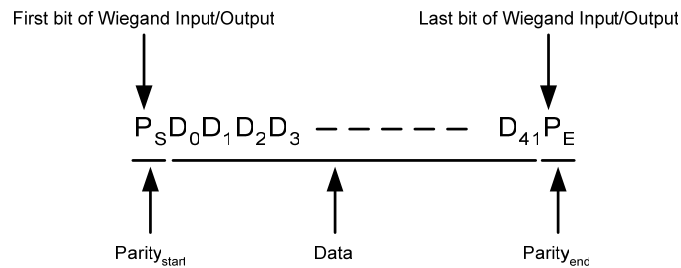
1 Specification:

1.1 Communications:

9600 BPS ASYNC, 8 bits, 1 Stop, No Parity.

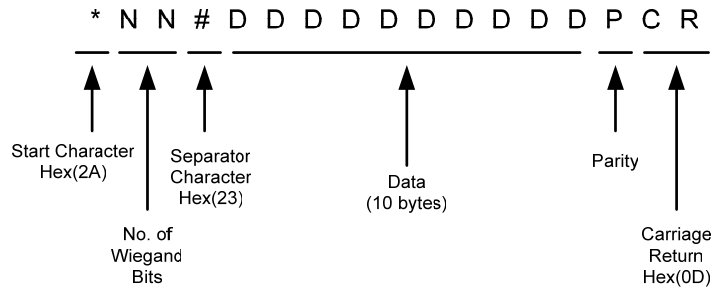
1.2 Wiegand Input/Output Format

The format of the Wiegand bit stream is shown as follows:



1.3 RS232 Input/Output Format

The format of the RS232 is in the form of 16-byte ASCII string (In Hex format) as follow:

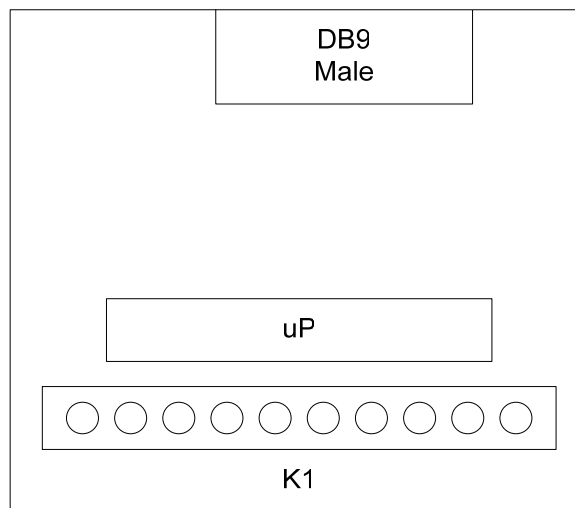


The **Parity Character P** is decoded as follows:

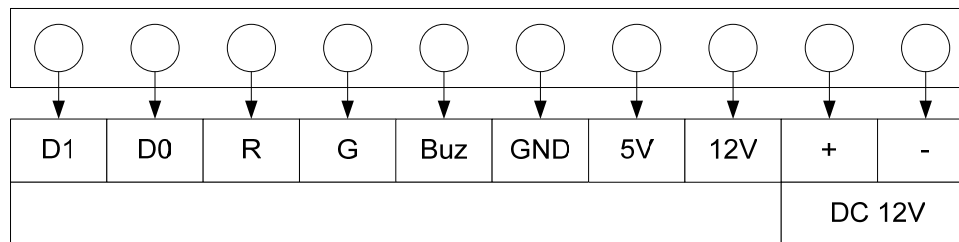
RS232 Side	Wiegand Side	
P	P _S	P _E
0	0	0
1	0	1
2	1	0
3	1	1

2 Pin Connectors:

The schematic of the MA1405 is shown in the following figure.



2.1 Connector K1



- D1: Wiegand Data 1 (Wiegand In Port)
- D0: Wiegand Data 0 (Wiegand In Port)
- R: Wiegand Data 1 (Wiegand Out Port)
- G: Wiegand Data 0 (Wiegand Out Port)
- GND: Ground
- 5V: 5V DC output
- 12V: 12V DC output
- +: Power Supply +12V In
- : Power Supply Ground

2.2 DB 9 Male

1. DCD Unused
2. TX data from converter
3. RX data from terminal
4. DTR Unused
5. Ground
6. DSR Unused
7. RTS Unused
8. CTS Unused

