

SCHOTTKY BARRIER DIODE

Features

- (1) Small surface mounting type SC-76/SOD323
- (2) Low reverse current and low forward voltage.
- (3) High reliability

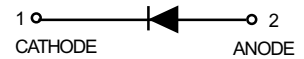
Construction

silicon epitaxial planar

LRB751S-40T1



SC-79/SOD-523



MAXIMUM RATINGS ($T_A = 25^\circ\text{C}$)

Parameter	Symbol	Limits	Unit
Peak reverse voltage	V_{RM}	40	V
DC reverse voltage	V_R	30	V
Mean rectifying current	I_O	30	mA
Peak forward surge current	I_{FSM}	200	mA
Junction temperature	T_j	125	$^\circ\text{C}$
Storage temperature	T_{stg}	-40~+125	$^\circ\text{C}$

DEVICE MARKING

LRB751S-40T1= 5

ELECTRICAL CHARACTERISTICS ($T_A = 25^\circ\text{C}$)

Parameter	Symbol	Min.	Typ	Max.	Unit	Conditions
Forward voltage	V_F	-	-	0.37	V	$I_F = 1\text{mA}$
Reverse current	I_R	-	-	0.5	μA	$V_R = 30\text{V}$
Capacitance between terminals	C_T	-	2.0	-	pF	$V_R = 1\text{V}, f = 1\text{MHz}$

Electrical characteristic curves ($T_A = 25^\circ\text{C}$)

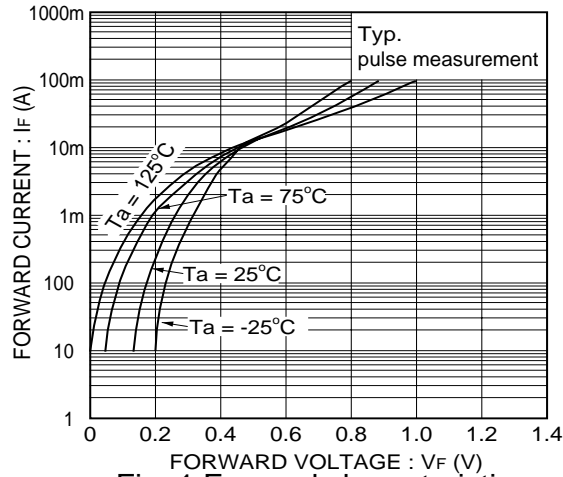


Fig. 1 Forward characteristics

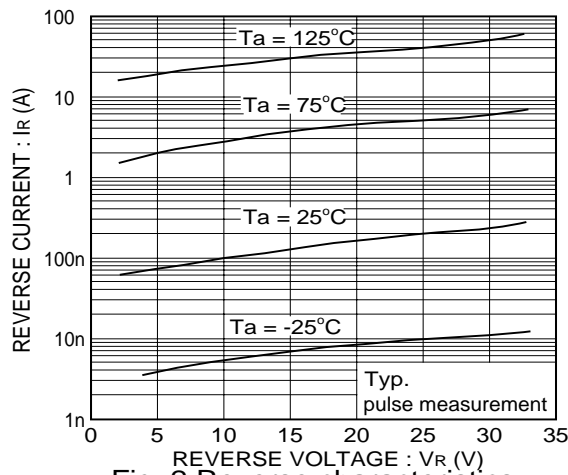


Fig. 2 Reverse characteristics

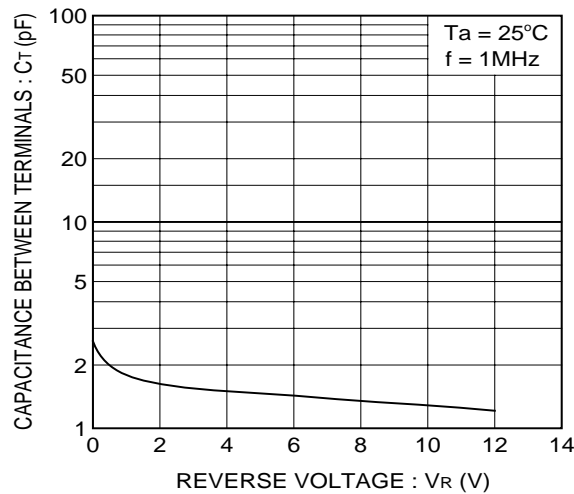
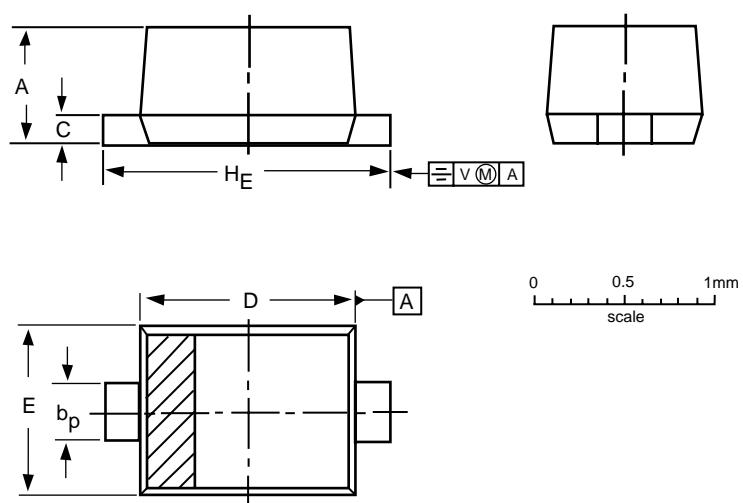



Fig. 3 Capacitance between terminals characteristics

LRB751S-40T1
SC-79/SOD-523

DIMENSIONS (mm are the original dimensions)

UNIT	A	b_p	c	D	E	H_E	V
mm	0.7	0.35	0.2	1.3	0.9	1.7	0.15
	0.5	0.25	0.1	1.1	0.7	1.5	

Note

1. The marking bar indicates the cathode.

OUTLINE VERSION	REFERENCES			EUROPEAN PROJECTION	ISSUE DATE
	IEC	JEDEC	EIAJ		
SOD523			SC-79		98-11-25