

FEATURES

- Temperature-Compensated: 50ppm/°C
- Trimmed 1% Bandgap Reference
- Internal Amplifier with 150mA Capability
- Nominal Temperature Range Extended to 105°C
- Low Frequency Dynamic Output Impedance: < 150m
- Low Output Noise

DESCRIPTION

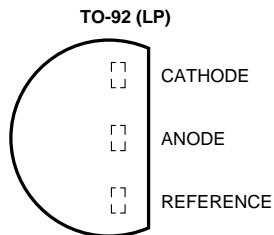
Calogic's CL432A is a 3-terminal Adjustable Shunt Regulator highly accurate 1.25V bandgap reference with a 1% tolerance. The device offers thermal stability, wide operating current (100mA) and an extended temperature range of 0° to 105°C for operation in power supply applications. The CL432A offers a wide operating voltage range of up to 10V and is an excellent choice for voltage reference requirements in an isolated feedback circuit for 3.0V to 3.3V switching mode power supplies. The tight tolerance guarantees a lower design cost for the power supply manufacturer by virtually eliminating the need for an extra power supply manufacturing process of the power supply.

The device is housed in several package options to meet the designers criteria.

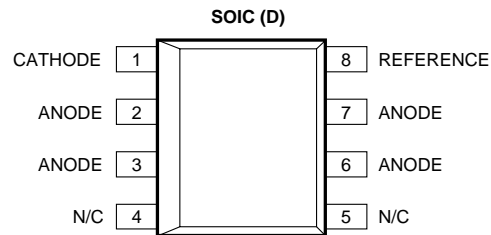
ORDERING INFORMATION

Part	Package	Temperature Range
CL432ALP	TO-92	0 to 105°C
CL432AD	8-Pin Plastic SOIC	0 to 105°C
CL432AVS	SOT-23	0 to 105°C
CL432AS	SOT-89	0 to 105°C

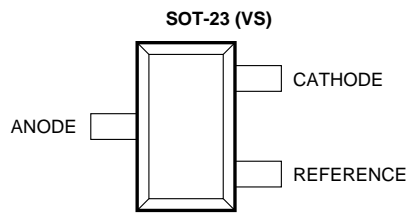
PIN CONFIGURATION (Top View)



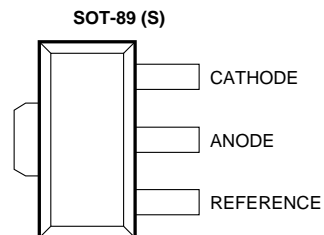
1G-33



1G-34



1J-22



1G-35

ABSOLUTE MAXIMUM RATINGS

SYMBOL	PARAMETER	RATING	UNITS
V_{KA}	Cathode-Anode Reverse Breakdown	10	V
I_{AK}	Anode-Cathode Forward Current	1	A
I_{KA}	Operating Cathode Current	100	mA
I_{REF}	Reference Input Current	1	mA
P_D	Continuous Power at 25°C		
	TO-92	775	mW
	8L SOIC	750	mW
	SOT-23	1000	mW
	SOT-89	200	mW
T_J	Junction Temperature	150	°C
T_{STG}	Storage Temperature	-65 to 150	°C
T_L	Lead Temperature, Soldering 10 Seconds	300	°C

Stresses greater than those listed under ABSOLUTE MAXIMUM RATINGS may cause permanent damage to the device. This is a stress rating only and functional operation of the device at these or any other conditions above those indicated in the operational sections of this specification is not implied. Exposure to absolute maximum rating conditions for extended periods may affect reliability.

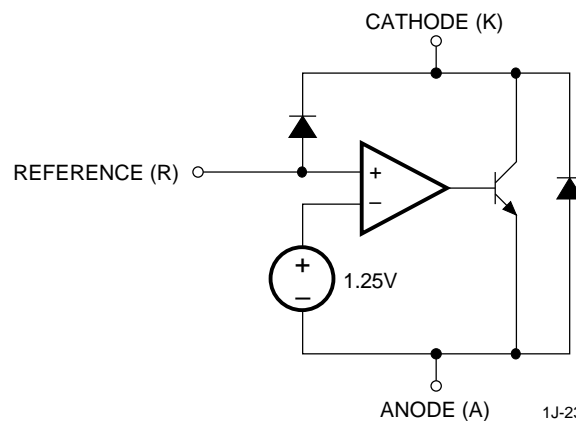
RECOMMENDED CONDITIONS

SYMBOL	PARAMETER	RATING	UNIT
V_{KA}	Cathode Voltage	V_{REF} to 10	V
I_K	Cathode Current	10	mA

TYPICAL THERMAL RESISTANCES

PACKAGE	θ_{JA}	θ_{JC}	TYPICAL DERATING
TO-92	160°C/W	80°C/W	6.3mW/°C
SOIC	175°C/W	45°C/W	5.7mW/°C
SOT-23	575°C/W	150°C/W	1.7mW/°C
SOT-89	110°C/W	8°C/W	9.1mW/°C

FUNCTIONAL BLOCK DIAGRAM



ELECTRICAL CHARACTERISTICS

Electrical characteristics are guaranteed over full junction temperature range (0 to 105°C). Ambient temperature must be derated based on power dissipation and package thermal characteristics. The conditions are: $V_{KA} = V_{REF}$ and $I_K = 10\text{mA}$ unless otherwise stated.

SYMBOL	PARAMETER	MIN	TYP	MAX	UNIT	TEST CONDITION
V_{REF}	Output Voltage	1.237	1.250	1.263	V	$I_K = 10\text{mA}$, $T_J = 25^\circ\text{C}$, $V_K = V_{REF}$
V_{REF}	Line Regulation		10	15	mV	$V_K = 1.25$ to 10V
V_{REF}	Load Regulation		3	6	mV	$I_K = 1$ to 100mA
V_{REF}	Temperature Deviation		2	6	mV	$0 < T_J < 105^\circ\text{C}$
I_{REF}	Reference Input Current		3	6	μA	
I_{REF}	Reference Input Current Temperature Coefficient		0.3	0.6	μA	$0 < T_J < 105^\circ\text{C}$
$I_{K(MIN)}$	Min. Cathode Current for Regulation		0.6	1	mA	
$I_{K(MIN)}$	Off State Leakage		0.04	500	nA	$V_{REF} = 0\text{V}$, $V_{KA} = 10\text{V}$

*Temperature deviation is defined as the maximum deviation of the reference over the given temperature range and does not imply an incremental deviation at any given temperature.

TYPICAL PERFORMANCE CURVES (Not available at time of publishing)