

FEATURES AND SPECIFICATIONS

Features and Benefits

- Sizes 7 to 30 circuits
- For 0.30mm thick FFC/FPC
- Metal solder tabs provide PCB hold-down and strain relief for SMT tails

Reference Information

Packaging: Embossed tape
 UL File No.: E29179
 CSA File No.: LR19980
 Designed In: Millimeters

Electrical

Voltage: 50V
 Current: 0.5A
 Contact Resistance: 20mΩ max.
 Dielectric Withstanding Voltage: 500V AC/1 min.
 Insulation Resistance: 100 MΩ min.

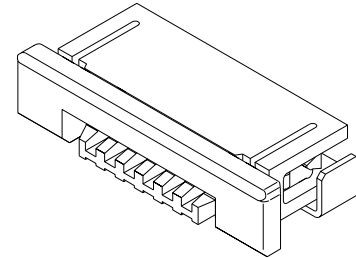
Physical

Housing: 4/6 nylon, UL 94V-0
 Actuator: PPS, UL 94V-0
 Contact: Phosphor Bronze
 Plating: Tin
 Solder Tabs: Copper Alloy, Tin plating
 Temperature: -20 to +85°C

molex® 1.00mm (.039") Pitch FFC/FPC Connector

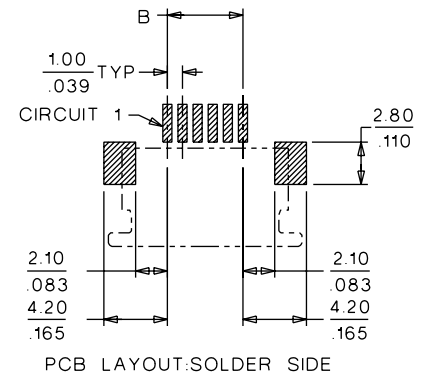
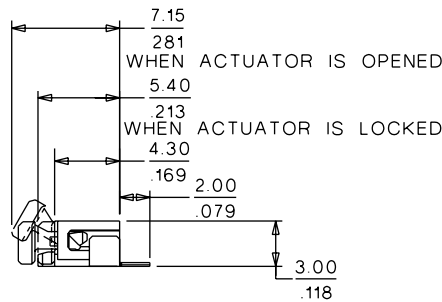
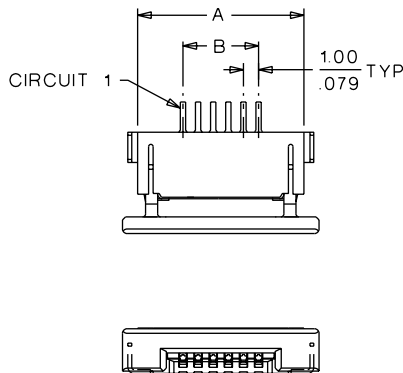
52271

Right Angle, SMT, ZIF Bottom Contact Style



FFC/FPC Connectors

F



ORDERING INFORMATION AND DIMENSIONS

Circuits	Order No.	Dimension		Carrier Tape Width
		A	B	
7	52271-0790	12.00 (.472)	6.00 (.236)	24.00 (.945)
8	52271-0890	13.00 (.511)	7.00 (.275)	24.00 (.945)
9	52271-0990	14.00 (.551)	8.00 (.314)	24.00 (.945)
10	52271-1090	15.00 (.590)	9.00 (.354)	24.00 (.945)
11	52271-1190	16.00 (.629)	10.00 (.393)	24.00 (.945)
12	52271-1290	17.00 (.669)	11.00 (.433)	32.00 (1.260)
13	52271-1390	18.00 (.708)	12.00 (.472)	32.00 (1.260)
14	52271-1490	19.00 (.748)	13.00 (.511)	32.00 (1.260)
15	52271-1590	20.00 (.787)	14.00 (.551)	32.00 (1.260)
16	52271-1690	21.00 (.826)	15.00 (.590)	32.00 (1.260)
17	52271-1790	22.00 (.866)	16.00 (.629)	44.00 (1.732)

Circuits	Order No.	Dimension		Carrier Tape Width
		A	B	
18	52271-1890	23.00 (.905)	17.00 (.669)	44.00 (1.732)
19	52271-1990	24.00 (.944)	18.00 (.708)	44.00 (1.732)
20	52271-2090	25.00 (.984)	19.00 (.748)	44.00 (1.732)
22	52271-2290	27.00 (1.062)	21.00 (.827)	44.00 (1.732)
23	52271-2390	28.00 (1.102)	22.00 (.866)	44.00 (1.732)
24	52271-2490	29.00 (1.141)	23.00 (.906)	44.00 (1.732)
25	52271-2590	30.00 (1.181)	24.00 (.945)	44.00 (1.732)
26	52271-2690	31.00 (1.220)	25.00 (.984)	44.00 (1.732)
27	52271-2790	32.00 (1.259)	26.00 (1.020)	44.00 (1.732)
28	52271-2890	33.00 (1.299)	27.00 (1.060)	56.00 (2.205)
30	52271-3090	35.00 (1.377)	29.00 (1.140)	56.00 (2.205)

Note: For cable specification dimensions, see cable pages at end of section