

# INTEGRATED CONNECTOR MODULES

## 0862-1J1T-43-F Gigabit Ethernet MagJack® Combo with LEDs



LED1 POLARITY			LED2 POLARITY			
PIN 11	PIN 12	COLOR	PIN 15	PIN 14	PIN 13	COLOR
-	+	YELLOW	-	+	— / —	ORANGE
— / —	— / —	— / —	— / —	+	-	GREEN
— / —	— / —	— / —	-	+	-	MIXED YELLOW

### ELECTRICAL CHARACTERISTICS @ 25°C

**URNS RATIO**

TP1 1CT : 1CT ±2%  
 TP2 1CT : 1CT ±2%  
 TP3 1CT : 1CT ±2%  
 TP4 1CT : 1CT ±2%

**DCL @ 100kHz/100mVRMS**  
 8mA DC BIAS 350µH MIN.

**INS. LOSS**  
 1MHz TO 100MHz -1.2 dB MAX

**RET. LOSS (MIN) @ 100ΩHMS ±15%**  
 0.5MHz-40MHz -18 dB  
 40MHz-100MHz -12+20LOG(F/80MHz) dB

**Cross Talk**  
 Ch1-Ch2, Ch2-Ch3, Ch3-Ch4, Ch4-Ch1, Ch2-Ch4, Ch3-Ch1  
 1MHz - 30MHz -35dB MIN  
 30MHz - 80MHz -24dB MIN  
 80MHz - 100MHz -25dB MIN

**CM TO CM REJ**  
 100kHz - 100MHz -30 dB MIN

**CM TO DM REJ**  
 100kHz - 100MHz -35 dB MIN

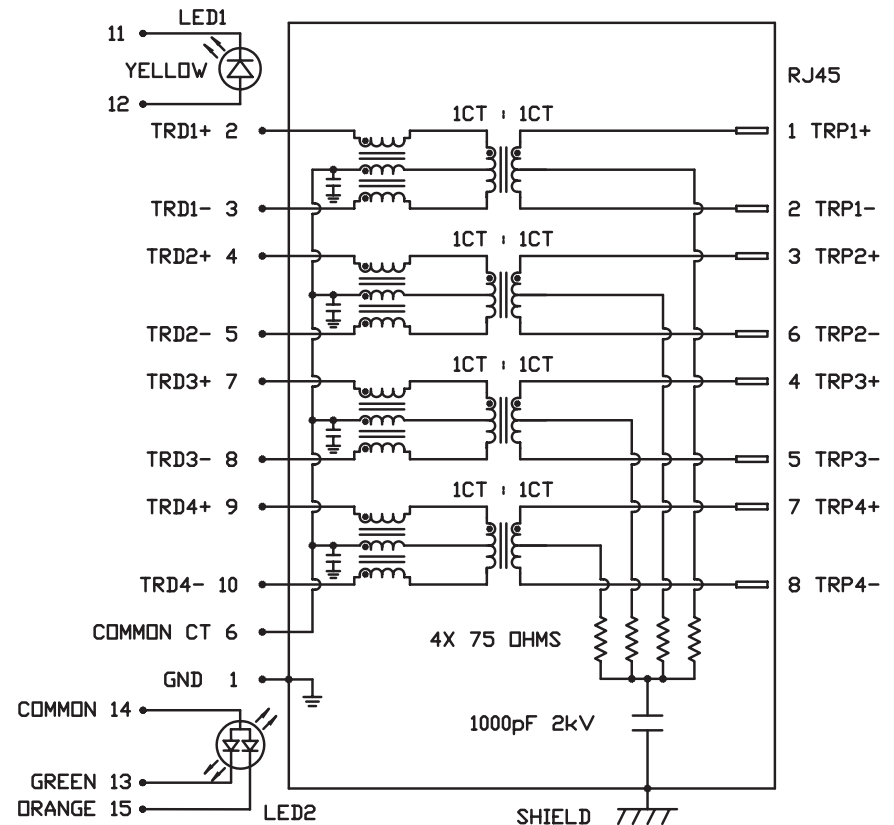
**HIPOT (Isolation Voltage)** 1500 Vrms or 2250 VDC  
 100% OF PRODUCT TESTED IN PRODUCTION

**LED 1**  
 VF (FORWARD VOLTAGE) IF=20mA YELLOW 2.1V TYP.  
 λD (DOMINANT WAVELENGTH) IF=20mA YELLOW 590nm TYP.

**LED 2**  
 VF (FORWARD VOLTAGE) IF=20mA YELLOW GREEN 2.2V TYP.  
 AMBER 2.1V TYP.  
 λD (DOMINANT WAVELENGTH) IF=20mA YELLOW GREEN 570nm TYP.  
 AMBER 607nm TYP.

MIXED YELLOW DOES NOT HAVE SPECIFIC WAVELENGTH.

**USB ELECTRICAL:**  
 INSULATION RESISTANCE: 1000 MEGA Ω (MIN)  
 CONTACT RESISTANCE: 25 MILLI Ω (MAX)  
 DIELECTRIC WITHSTANDING: 750 VAC

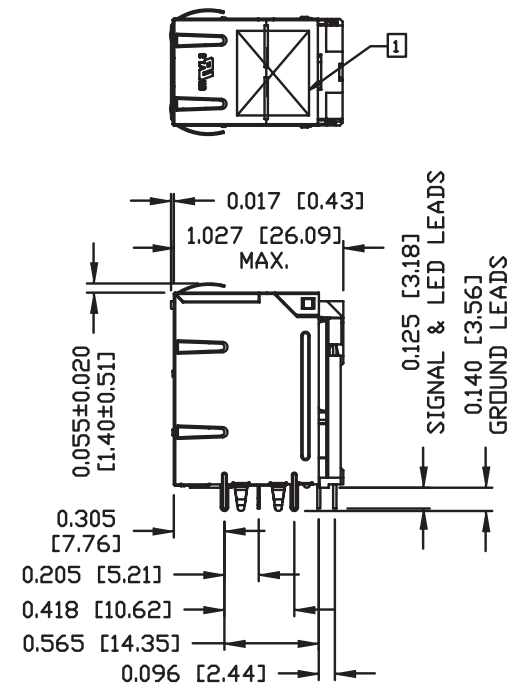
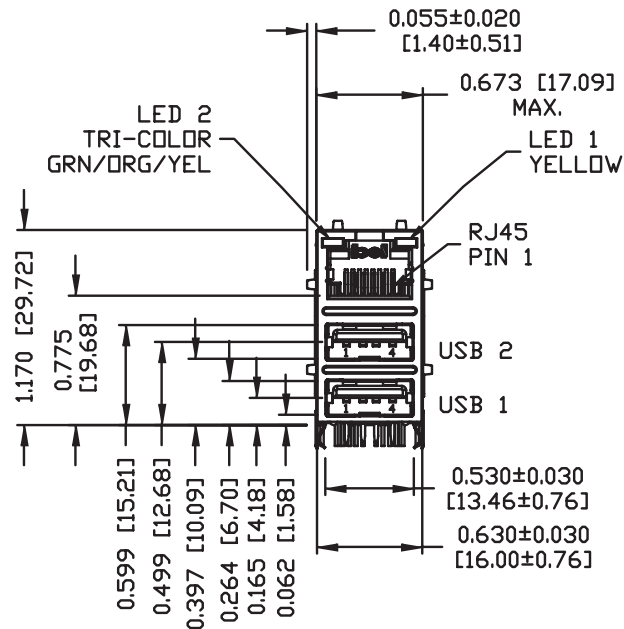


# INTEGRATED CONNECTOR MODULES

## 0862-1J1T-43-F Gigabit Ethernet MagJack® Combo with LEDs



### MECHANICAL SPECIFICATION



RJ45 MECHCNICAL:

PLASTIC HOUSING: THERMOPLASTIC PBT

FLAMMABILITY RATING UL 94V-0

CONTACT PLATING: 30 MICRO-INCH HARD GOLD PLATING

PINS: TIN-COATED COPPER WIRE, DIA 0.018 INCH.

METAL SHIELD: NICKEL PLATED ON COPPER ALLOY.

(ALL GROUND LEADS ARE SOLDER DIPPED)

1. MARK PART WITH MFG LOGO, MFG NAME, PART NUMBER, AND DATE CODE.

2. RoHS COMPLIANCE, PER EU DIRECTIVE 2002/95/EC.

UL RECOGNIZED - FILE #E196366 AND E169987.

USB MECHANICAL:

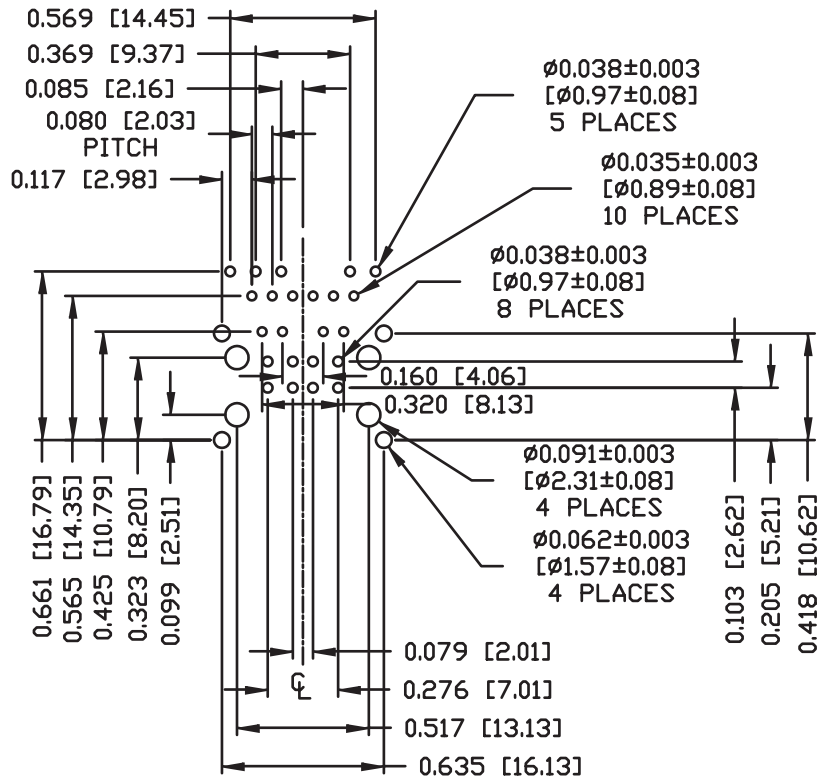
MATING FORCE: 35 NEWTONS MAXIMUM

UNMATING FORCE: 10 NEWTONS MINIMUM

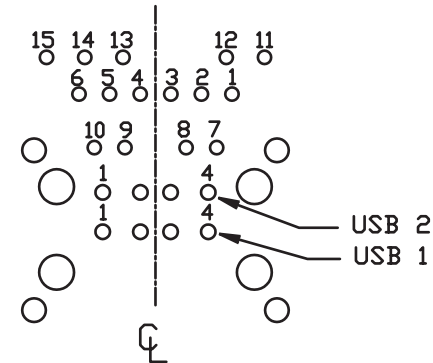
CONTACT: PROSPER BRONZE,  
30 MICRO-INCH GOLD PLATING  
ON CONTACT AREA AND LEAD-FREE  
TIN ON SOLDER TAIL.

# INTEGRATED CONNECTOR MODULES

## 0862-1J1T-43-F Gigabit Ethernet MagJack® Combo with LEDs



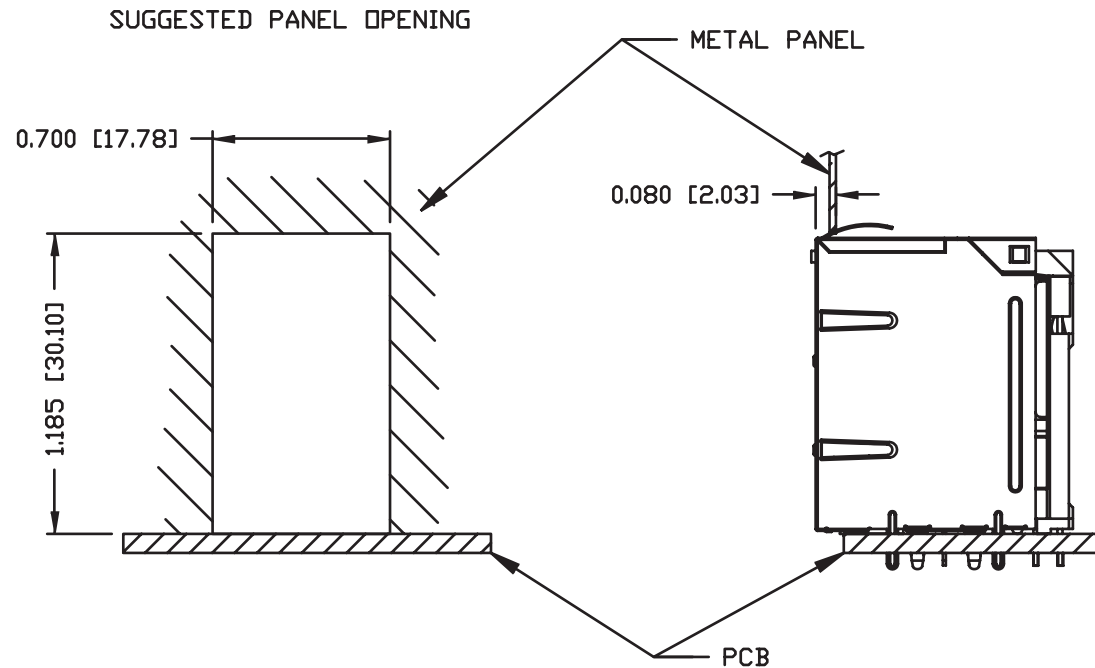
RECOMMENDED PCB FOOTPRINT  
 COMPONENT SIDE VIEW



PIN ASSIGNMENT  
 SCALE 3:2

## INTEGRATED CONNECTOR MODULES

### 0862-1J1T-43-F Gigabit Ethernet MagJack® Combo with LEDs



**NOTE:**

THE DISTANCE OF PANEL INSIDE SURFACE RELATIVE TO FRONT SURFACE OF PART IS ONLY A SUGGESTION. IN CASE THIS DISTANCE IS DIFFERENT, THE REQUIRED PANEL OPENING DIMENSIONS CHANGE ACCORDINGLY.

**PACKING INFORMATION**

PACKING TRAY : 0200-9999-A3

PACKING QUANTITY : 42 PCS FINISHED GOODS PER TRAY

10 TRAYS (420PCS FINISHED GOODS) PER CARTON BOX

NOTE : CARDBOARDS ARE PLACED BETWEEN LAYERS OF PACKING TRAY INSIDE CARTON BOX  
(INCLUDE THE UPPERMOST AND LOWERMOST TRAY)