


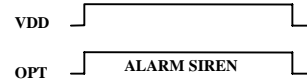
VDD CONTROL
ALARM SOUND

電源控制
警報聲 IC

SIREN	
M3764	

.FEATURES 功能敘述

- Alarm siren sound.
- Minimum external compoment.
- OPT : OPEN = 6 sound
VDD = 6 sound with soft chirp
Soft chirp =200ms



APPLICATION 產品應用

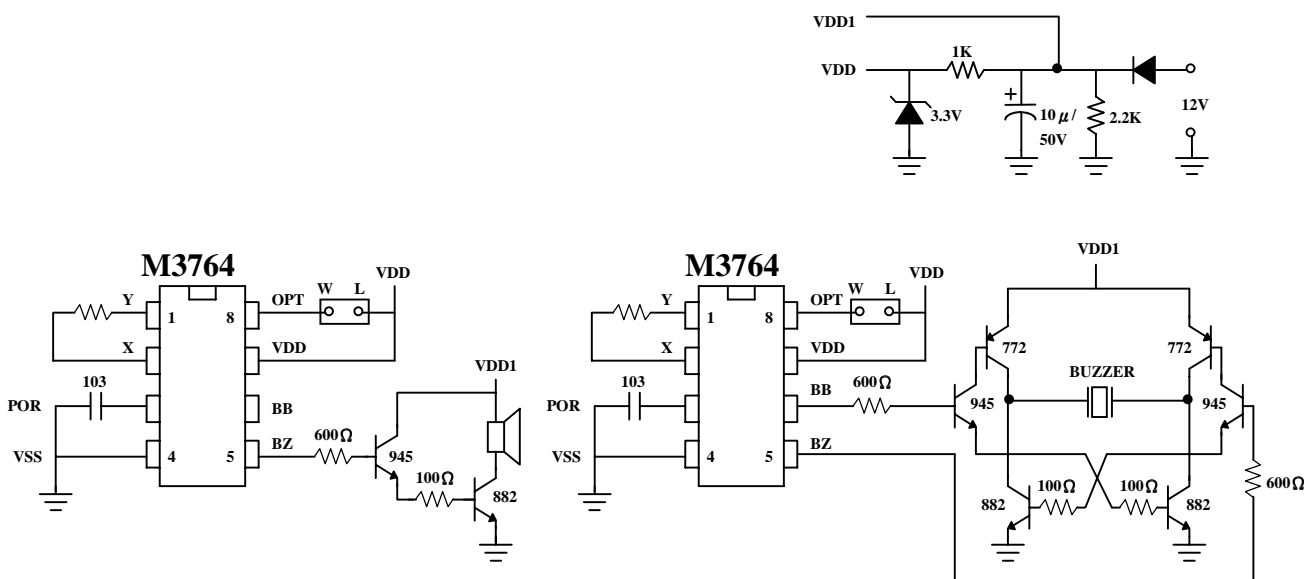
- Alarm system, Horn etc..

ELECTRICAL CHARACTERISTICS 電氣規格

(@V_{DD}=3V unless otherwise specified)

Characteristics	Sym.	Min.	Typ.	Max.	Unit	REMARKS
工作電壓 Operating Voltage	V _{DD}	—	3.5	4.5	V	
工作電流 Operating Current	I _{OP}	—	0.1	0.5	mA	No load
推動電流 BZ Driving Current	I _O	1	—	—	mA	@ V _{DS} =1V
推動電流 LO Driving Current	I _{OL}	6	—	—	mA	@ V _{DS} =1.2V
振盪頻率 Oscillator Frequency	F _{OSC}	—	200	—	KHz	External± 30%, R _{osc} =68KΩ
工作溫度 Operating Temperature	Temp.	0	25	60	°C	

APPLICATION DIAGRAM 參考電路圖



* All specs and applications shown above subject to change without prior notice.
(以上電路及規格僅供參考,本公司得逕行修正)