

AR-09664C

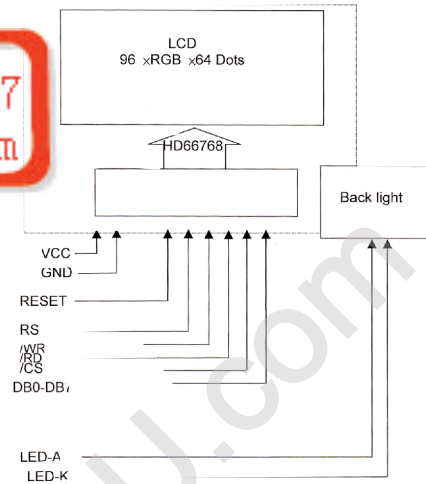
•96(RGB) x 64 dots

1/64 Duty

FEATURE

1. Construction : 1 Color-STN LCD, Flexible Print Board, White LED backlight and COG technology.
2. LCD type :
 - 2.1 Color-STN 1/64 Duty, transmissive and negative type, 12 O'clock, 19 Bias.
 - 2.2 96(RGB)x64 dots Matrix.
 - 2.3 Narrow-contrast edge technique.
 - 2.4 LCD controller is HD66768.
 - 2.5 Controllable 6bit color: Red-6bit, Green-6bit, Blue-6bit.
 - 2.6 Back Ground color: Black (Red, Green, Blue dots are off state)

BLOCK DIAGRAM



ELECTRICAL CHARACTERISTICS

Parameter	Symbol	Condition	Typ. Value	Unit.
LCD Driving Voltage	VOP	25°C	11.51	V
Logic Supply Current	ICC	VDD=2.8V	1.3	mA

INTERFACE

1	2	3	4	5	6	7	8	9	10	11	12	13	14	15	16
RESET1	IM2	IM1	IM0/ID	DB7	DB6	DB5	DB4	DB3	DB2	DB1	DB0	/RD	/WR.SCL	RS	/CS
17	18	19	20	21	22	23	24	25	26	27	28	29	30	31	32
OSC2	OSC1	V _{cc}	RV _{cc}	VciL	AGND	GND	Vci1	Vci2	VLPS	C22+	C22-	C21+	C21-	C11+	C11-
33	34	35	36	37	38	39	40	41	42						
VREFH	V1OUT	V2OUT	V3OUT	V4OUT	V5OUT	CGND	OGND	VREFOUT	VREFLCD						

