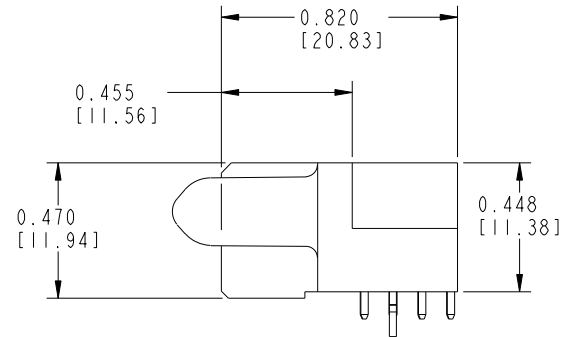
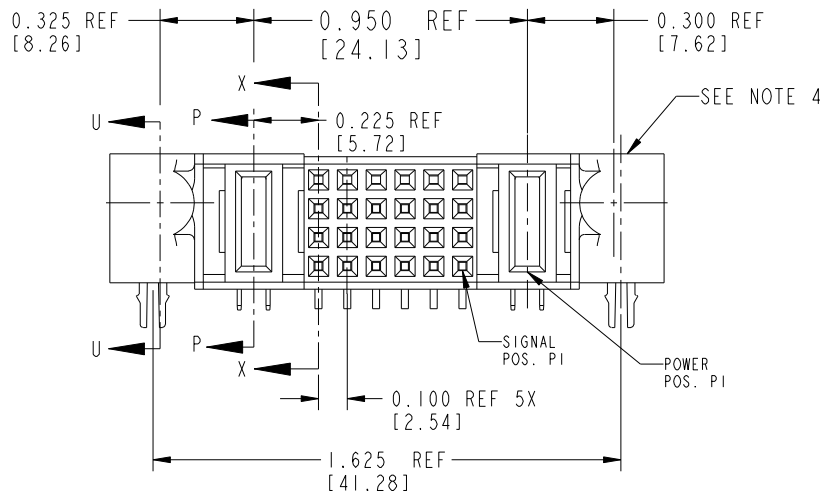
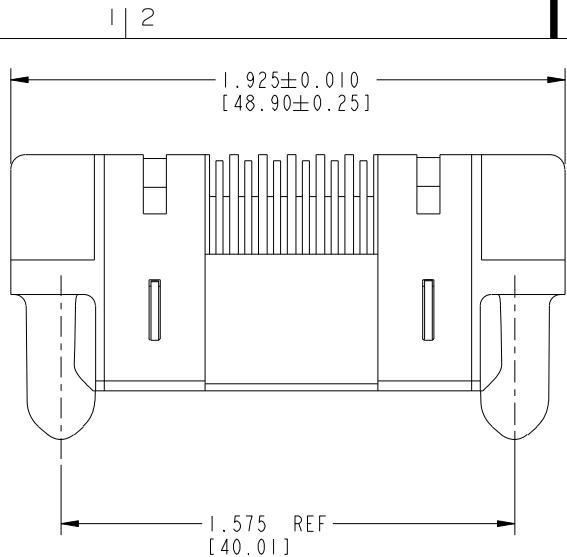


Tous droits strictement réservés. Reproduction ou communication a des tiers interdite sous quelque forme que ce soit sans autorisation écrite du propriétaire. Propriété de c FCI. Droits de reproduction FCI.

All rights strictly reserved. Reproduction or issue to third parties in any form whatever is not permitted without written authority from the proprietor. Property of FCI. Copyright FCI.

**FCI**

PRODUCT NUMBER  
51416-00X-  
NOTE ③



mat'l code				SEE NOTES		tolerances unless otherwise specified		CUSTOMER		FCI	
lir	ecn no.	dr	date	linear	.XX ± .01 / .X ± .3	projection		COPY		www.fciconnect.com	
A	V90563	CHB	02-18-99		.XXX ± .005 / .XX ± .13	INCH/MM		title		IP + 24S + IP	
B	V90919	SAR	04-14-99	angles	.XXX ± .0020 / .XXX ± .051	3:2		RIGHT ANGLE SOLDER RECEPT		product family	
C	V94029	CHB	10-08-99	dr	0° ± 2°			product family		PwrBlade	
D	V01376	EKK	06-08-00	enrg	LEVEL 4	01-12-99		size		213	
E	DG05-0049	SW	03-17-05	chr	J. BROWN	01-12-99		dwg no		51416	
F	DG05-0230	LH	07-19-05	appd	J. BROWN	01-12-99		code		1 of 5	
sheet index		revision sheet		F	F	F	F				
				1	2	3	4				

THIS FILE WAS ORIGINALLY CREATED IN THE PRO ENGINEER ENVIRONMENT AND ANY FUTURE REVISIONS TO THIS FILE MUST BE MADE IN THE PRO ENGINEER ENVIRONMENT

1 | 2

Pro/E

**PDM: Rev:F**

STAT: **Released**

Printed: Dec 13, 2005

3 |

4

A

A

B

B

cage code 22556

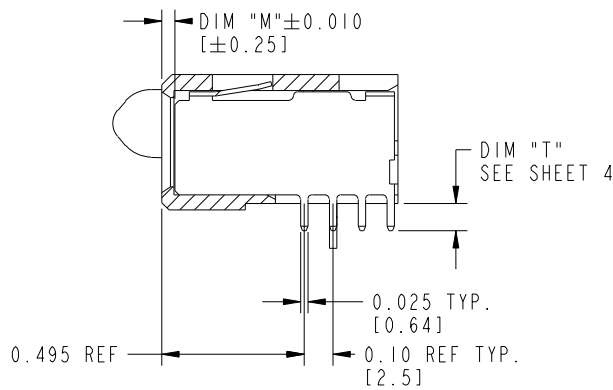
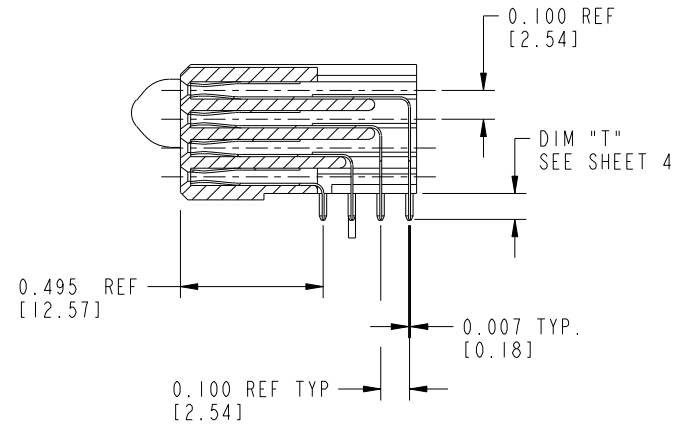
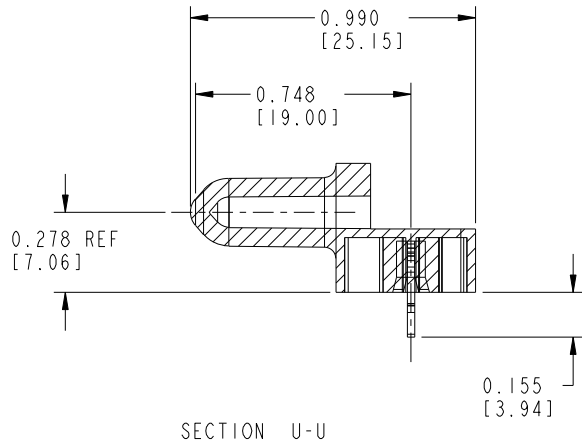
4

Tous droits strictement réservés. Reproduction ou communication a des tiers interdite sous quelque forme que ce soit sans autorisation écrite du propriétaire. Propriété de c FCI. Droits de reproduction FCI.

All rights strictly reserved. Reproduction or issue to third parties in any form whatever is not permitted without written authority from the proprietor. Property of FCI. Copyright FCI.

**A**  
**FCI**

PRODUCT NUMBER  
51416-00X ---  
NOTE (3)



mat'l code		SEE NOTES		tolerances unless otherwise specified		CUSTOMER		<b>A</b> <b>FCI</b>		www.fciconnect.com	
ltr	ecn no.	dr	date	linear	.XX ± .01 / .X ± .3	projection	COPY	title			
F					.XXX ± .005 / .XX ± .13			INCH/MM	IP + 24S + IP RIGHT ANGLE SOLDER RECEPT		
				angles	.XXX ± .0020 / .XXX ± .051	scale	product family		code		
				dr	0° ± 2°		3:2	PwrBlade		213	
				enr	LEVEL 4 01-12-99		size	dwg no		sheet	
				chr	J. BROWN 01-12-99		A	51416-001		2	
				appd	J. BROWN 01-12-99						
sheet index	revision sheet										

A

A

B

B

1 | 2

3 |

4

1 | 2

Pro/E

**PDM: Rev:F**

STATUS: **Released**

Printed: Dec 13, 2005

cage code 28556

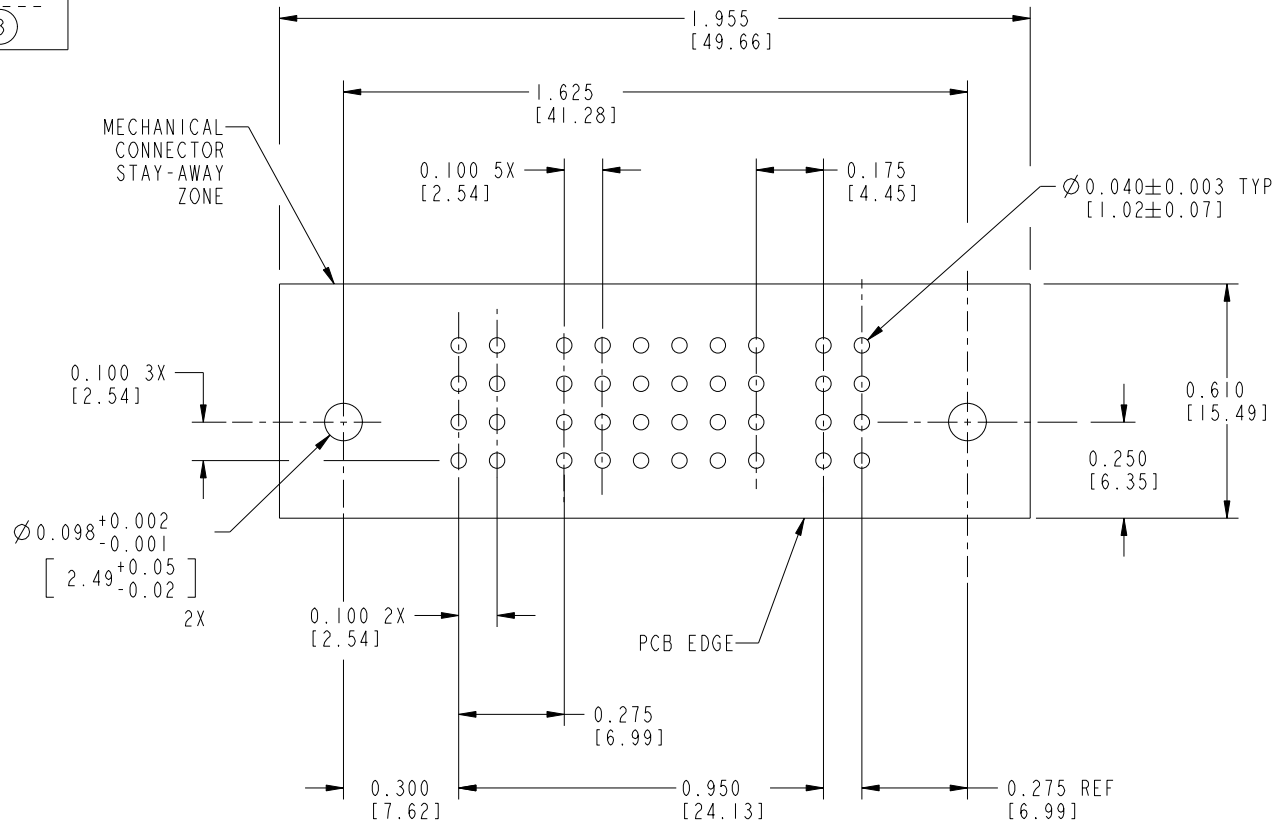
4

Tous droits strictement réservés. Reproduction ou communication a des tiers interdite sous quelque forme que ce soit sans autorisation écrite du propriétaire. Propriété de c FCI. Droits de reproduction FCI.

All rights strictly reserved. Reproduction or issue to third parties in any form whatever is not permitted without written authority from the proprietor. Property of FCI. Copyright FCI.

**A**  
**FCI**

PRODUCT NUMBER  
51416-00X  
NOTE ③



RECOMMENDED PCB LAYOUT

mat'l code		SEE NOTES		tolerances unless otherwise specified		CUSTOMER COPY		 www.fciconnect.com	
ltr	ecn no.	dr	date	linear	.XX ± .01/.X ± .3	projection  INCH/MM scale 3:2	title		
F				angles	.XXX ± .005/.XX ± .13		IP + 24S + IP RIGHT ANGLE SOLDER RECEPT		
				dr	.XXX ± .0020/.XXX ± .051		product family	PwrBlade	code
				enrg	0° ± 2°	size	A	51416	213
				chr					sheet
				appd					3
sheet index	revision sheet								

B

B

1 | 2

Pro/E

PDM: Rev:F

STAT: Released

Printed: Dec 13, 2005

3 |

4

cage code 22556

4

Tous droits strictement réservés. Reproduction ou communication a des tiers interdite sous quelque forme que ce soit sans autorisation écrite du propriétaire. Propriété de c FCI. Droits de reproduction FCI.

All rights strictly reserved. Reproduction or issue to third parties in any form whatever is not permitted without written authority from the proprietor. Property of FCI. Copyright FCI.

**A**

**FCI**

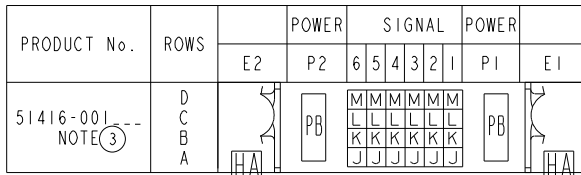
**B**

1 | 2

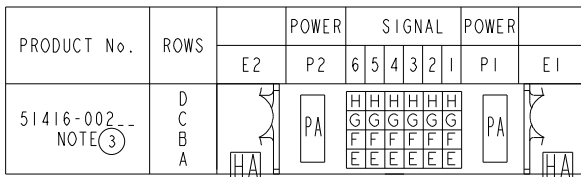
3 |

4

ITEM NO.	QTY	DIM "M" MATING LENGTH ±.010		DIM "T" TAIL LENGTH +.005- [.13]-.010 [.25]		CONTACT TYPE
PB	2	0.042	[1.07]	0.090	[2.29]	POWER
J	6	N/A	[N/A]	0.090	[2.29]	SIGNAL
K	6	N/A	[N/A]	0.090	[2.29]	SIGNAL
L	6	N/A	[N/A]	0.090	[2.29]	SIGNAL
M	6	N/A	[N/A]	0.090	[2.29]	SIGNAL
HA	2	N/A	[N/A]	N/A	[N/A]	HOLD-DOWN



ITEM NO.	QTY	DIM "M" MATING LENGTH ±.010 [.25]		DIM "T" TAIL LENGTH ±.010 [.25]		CONTACT TYPE
PA	2	0.042	[1.07]	0.135	[3.43]	POWER
E	6	N/A	[N/A]	0.135	[3.43]	SIGNAL
F	6	N/A	[N/A]	0.135	[3.43]	SIGNAL
G	6	N/A	[N/A]	0.135	[3.43]	SIGNAL
H	6	N/A	[N/A]	0.135	[3.43]	SIGNAL
HA	2	N/A	[N/A]	N/A	[N/A]	HOLD-DOWN



mat'l code				SEE NOTES		tolerances unless otherwise specified		CUSTOMER COPY		 www.fciconnect.com	
ltr	ecn no.	dr	date	linear	.XX ±.01/.X ±.3	projection		title		IP + 24S + IP	
F				angles	.XXX ±.005/.XX ±.13			RIGHT ANGLE SOLDER RECEPT		code	
				dr	.XXX ±.0020/.XXX ±.051			product family		PwrBlade	
				enrg	0° ± 2°	scale		size		213	
				chr		1:1		dwg no		sheet	
				appd				51416		4	
sheet index	revision sheet										

**A**

**B**

1 | 2

Pro/E

**PDM: Rev:F**

STAT~~US~~: **Released**

Printed: Dec 13, 2005

cage code 2256

4

PRODUCT NUMBER  
 51416-00X ---  
 NOTE ③

NOTES:

1. DIMENSIONS AND TOLERANCES ARE IN ACCORDANCE WITH ASME Y14.5M, 1994 UNLESS OTHERWISE SPECIFIED.

CONNECTOR NOTES:

2. HOUSING MATERIAL: UL 94 V-0 GLASS FILLED HIGH-TEMP THERMOPLASTIC  
 POWER CONTACT MATERIAL: COPPER ALLOY  
 SIGNAL PIN MATERIAL: COPPER ALLOY

3. PLATING(51416-00X STAND FOR 51416-001 AND 51416-002)  
 51416-00X - 30u"/0.76um Au OVER 50u"/1.27um Ni ON THE CONTACT AREA.  
 100u"/2.54um SnPb PLATING ON THE TERMINATION SECTION.  
 51416-00XLF - 30u"/0.76um Au OVER 50u"/1.27um Ni ON THE CONTACT AREA.  
 78u"/2.00um Sn PLATING ON THE TERMINATION SECTION.  
 51416-00IGLF - 30u"/0.76um Au OVER 50u"/1.27um Ni ON THE CONTACT AREA.  
 5u"/0.13um Au PLATING ON THE TERMINATION SECTION.

PART NUMBER WITH "LF" SUFFIX MEETS EUROPEAN UNION DIRECTIVE AND OTHER COUNTRY REGULATIONS AS DESCRIBED IN GS-22-008.


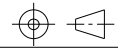


THE HOUSING WILL WITHSTAND EXPOSURE TO 260° PEAK TEMPERATURE FOR 10 SECONDS IN A WAVE SOLDER APPLICATION WITH A CIRCUIT BOARD.

4. MANUFACTURER'S NAME, P/N, AND DATE CODE TO APPEAR ON THIS SURFACE.

5. PRODUCT SPECIFICATION GS-12-149.  
 APPLICATION SPECIFICATION BUS-20-067.

PCB NOTES:

- 6. ALL HOLE DIAMETERS ARE FINISHED HOLE SIZE.
- 7. MOUNTING HOLES, WHERE APPLICABLE, ARE UNPLATED.
- 8.  $\varnothing .0453 \pm 0.0010$  [ $1.151 \pm 0.025$ ] DRILLED HOLES PLATED WITH  $.0003$  [ $0.008$ ] MIN SnPb OVER  $.001$  [ $0.03$ ] TO  $.003$  [ $0.08$ ] Cu PLATING TO ACHIEVE  $\varnothing .040 \pm .003$  [ $1.02 \pm .07$ ] HOLE.
- 9. "DIM XXX" TO BE DETERMINED BY THE CUSTOMER.
- 10. CONNECTOR KEEP-OUT ZONE.

mat'l code		SEE NOTES		tolerances unless otherwise specified		CUSTOMER		 www.fciconnect.com	
lfr	ecn no.	dr	date	linear	.XX±.01/0.X±0.3		COPY		 title IP + 24S + IP RIGHT ANGLE SOLDER RECEPT
F					.XXX±.005/0.XX±0.13		projection		
				angles	.XXX±.0020/0.XXX±0.051		 product family PwrBlade code		
					0°±2°		size		
				dr	LEVEL 4	01-12-99	 A 51416		
				enrg	J. BROWN	01-12-99	sheet 213		
				chr	J. BROWN	01-12-99	5		
				appd	J. BROWN	01-12-99	scale 3:2 A 51416		
sheet index		revision sheet							

THIS FILE WAS ORIGINALLY CREATED IN THE PRO ENGINEER ENVIRONMENT AND ANY FUTURE REVISIONS TO THIS FILE MUST BE MADE IN THE PRO ENGINEER ENVIRONMENT

Tous droits strictement réservés. Reproduction ou communication a des tiers interdite sous quelque forme que ce soit sans autorisation écrite du propriétaire. Propriété de c FCI. Droits de reproduction FCI.

FCI

All rights strictly reserved. Reproduction or issue to third parties in any form whatever is not permitted without written authority from the proprietor. Property of FCI. Copyright FCI.

A

A

B

B