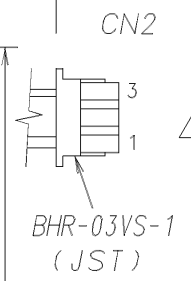
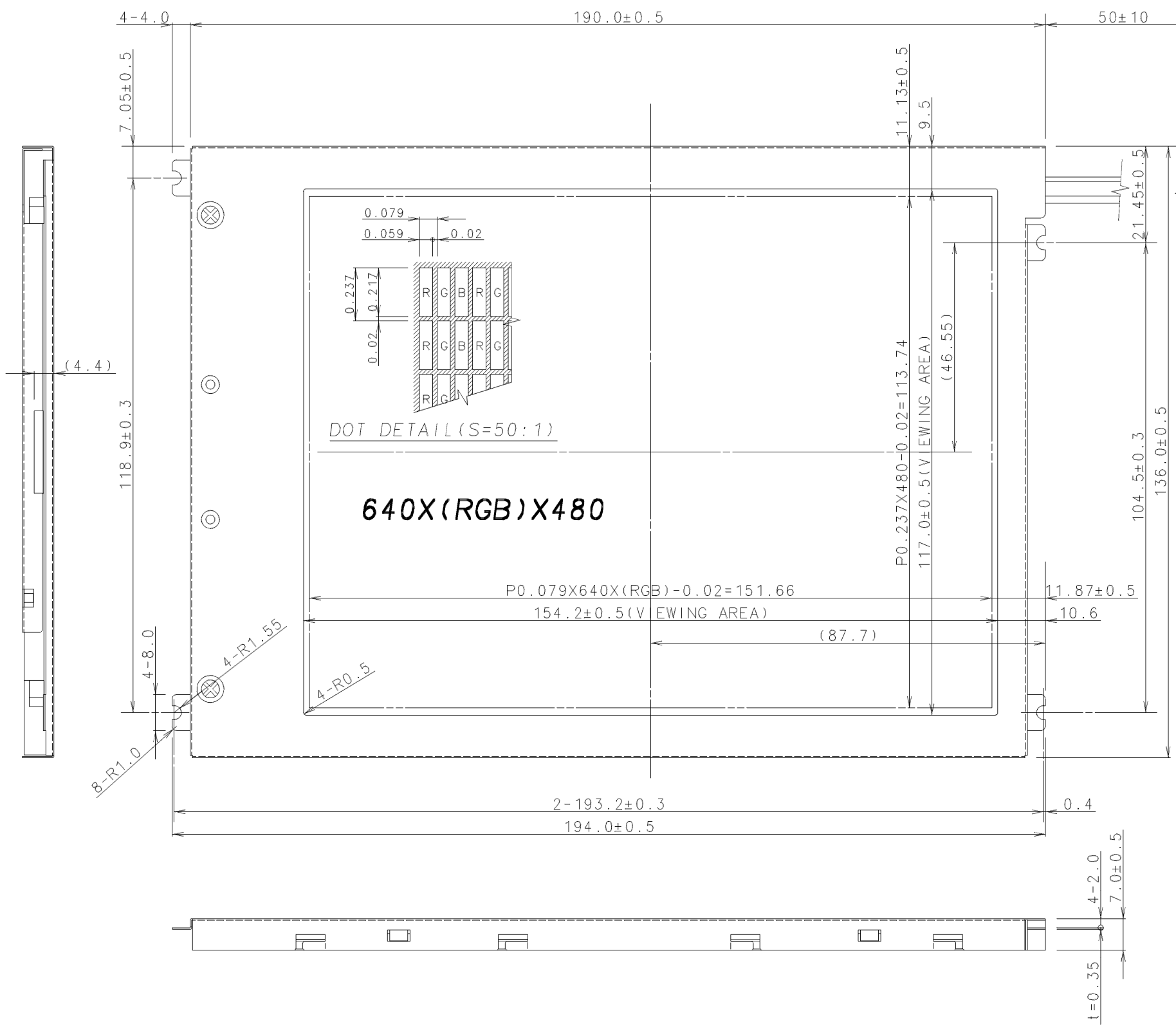
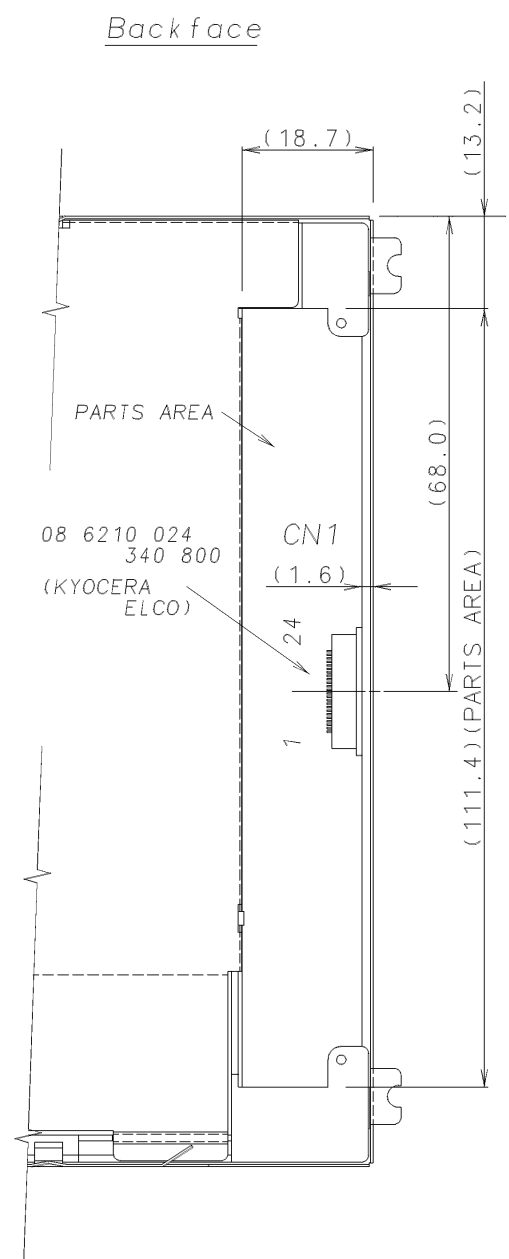




ISSUE	REVISIONS	DRAWN	APPROVED	DATE
1	誤記訂正	Y. YAMAGUCHI	H. Morosawa	Nov. 19'99



CN1

No.	SYMBOL
1	GND
2	GND
3	FLM
4	LP
5	CP
6	NC
7	DISPOFF
8	VCC1
9	VCC1
10	VCC2
11	VCC2
12	GND
13	GND
14	VCONT
15	D0
16	D1
17	D2
18	D3
19	D4
20	D5
21	D6
22	D7
23	GND
24	GND

CN2

No.	SYMBOL
1	HOT
2	NC
3	LGND

MEASURE	TOLERANCE			THIRD ANGLE PROJECTION	DATE	OPTREX CORPORATION
	A	B	C			
L≤16	±0.1	±0.3	±1	UNIT mm	May.21'99	TITLE DIMENSIONAL OUTLINE
16<L≤63	±0.2	±0.5	±1.5		APPROVED H. Morosawa	CODE F-51202NC-FW-AA
63<L≤250	±0.3	±0.8	±2	SCALE 1:1	CHECKED S. kuwabara	
250<L≤500	±0.5	±1.2	±3		DRAWN Y. YAMAGUCHI	
500<L	±0.8	±2	±4			
ANGLE	±1°	±5°	±10°			