

## Features

- Dual SMD package with transmit and receive transformer
- Low height of only 5.6 mm
- Wide operating temperature: -40 °C to +85 °C
- Matched to leading transceiver ICs

- Lead free version available (see How to Order)
- Lead free versions are RoHS compliant\*

## Applications

- Telecom

# PT66007 & PT66013 - T1/E1/CEPT Transformer

### Electrical Specifications @ 25 °C

Turns Ratio ( $\pm 3\%$ )

PT66007(1-3:16-14) .....1CT:1.24CT

PT66007 (6-8:11-9) .....1CT:1CT

PT66013 (1-3:16-15/16-14) 2CT:1/1.26

PT66013 (9-11:6-7/6-8) .....2CT:1/1.26

OCL (mH) min at 100 kHz, 0.2 V .....1.5

Crosstalk (dB typ.)

0.1 to 10 MHz.....-60

Pri DCR (ohm max) .....0.8

Leakage Inductance (uH max.) ..... 0.5

Interwinding Capacity (pF max.) .....35

HIPOT 60 sec. (Vrms) .....1500

Insulation Resistance (Mohm) .....10000

Operating Temperature (°C) .....-40 to +85

\*CT : center tap

Other OCL specifications available on request.

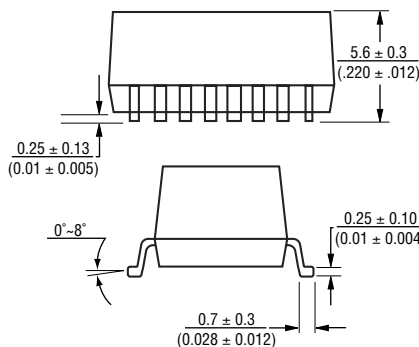
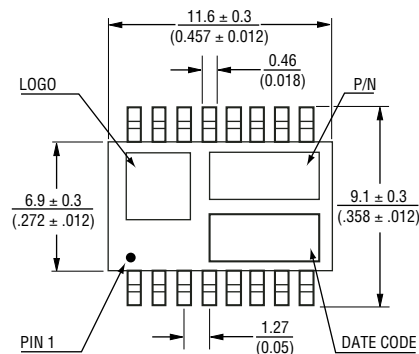
### Packaging Specifications

Tubes.....50 pcs./tube

Tape and Reel\* .....750 pcs./reel

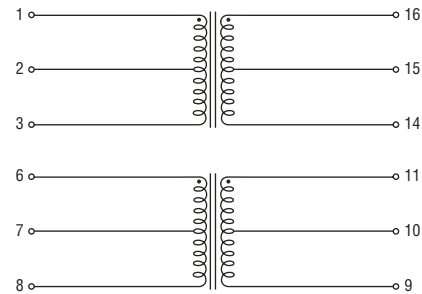
\*\*“E” suffix in part number designates tape & reel packaging, e.g. PT66007E.

### Product Dimensions

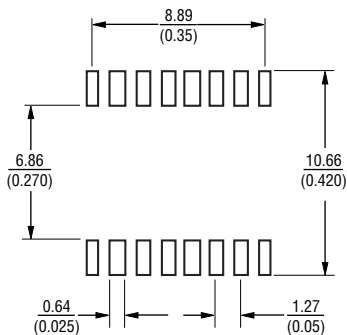


DIMENSIONS ARE:  $\frac{\text{MM}}{\text{(INCHES)}}$

### Electrical Schematic



### Recommended Layout



### How to Order

