

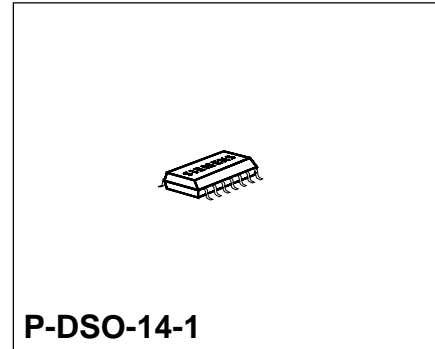
GHz PLL with I²C Bus and Four Chip Addresses

MGP 3006X

Bipolar IC

Features

- 1-chip system for MPU-control (I²C Bus)
- 4 programmable chip addresses
- Short pull-in time for quick channel switch-over and optimized loop stability
- 2 high-current band switch outputs (20 mA)
- Software-compatible with SDA 3202 series
- Oxis III technology



Type	Ordering Code	Package
MGP 3006X	Q67000-H5114	P-DSO-14-1 (SMD)
MGP 3006X	Q67006-H5114	P-DSO-14-1 Tape & Reel (SMD)

Combined with a VCO (tuner), the **MGP 3006X** device, with four hard-switched chip addresses, forms a digitally programmable phase-locked loop for use in television sets with PLL-frequency synthesis tuning. The PLL permits precise crystal-controlled setting of the frequency of the tuner oscillator between 16 and 1300 MHz in increments of 62.5 kHz, and, with a 2.4-GHz prescaler 1/2, in the TV-SAT band in increments of 125 kHz. The tuning process is controlled by a microprocessor via an I²C Bus. The I²C Bus noise immunity has been improved by a factor of 10 compared to the SDA 3202-2, and the new crystal oscillator generates a sinusoidal signal, suppressing the higher-order harmonics, which reduces the moiré noise considerably.

Circuit Description

Tuning Section

- UHF/VHF** The tuner signal is capacitively coupled at the UHF/VHF-input and subsequently amplified.
- REF** The reference input REF should be decoupled to ground using a capacitor of low series inductance. The signal passes through an asynchronous divider with a fixed ratio of $P = 8$, an adjustable divider with ratio $N = 256$ through 32767, and is then compared in a digital frequency/phase detector to a reference frequency $f_{REF} = 7.8125$ kHz.
- Q1, Q2** This frequency is derived from a balanced, low-impedance 4-MHz crystal oscillator (pin Q1, Q2) by dividing its output signal by $Q = 512$.
The phase detector has two outputs UP and DOWN that drive the two current sources I+ and I- of a charge pump. If the negative edge of the divided VCO-signal appears prior to the negative edge of the reference signal, the I+ current source pulses for the duration of the phase difference. In the reverse case the I- current source pulses.
- PD, UD** If the two signals are in phase, the charge pump output (PD) goes into the high-impedance state (PLL is locked). An active low-pass filter integrates the current pulses to generate the tuning voltage for the VCO (internal amplifier, external output transistor at UD and external RC-circuitry). The charge pump output is also switched into the high-impedance state when the control bit $T0 = 1$. Here it should be noted, however, that the tuning voltage can alter over a long period in the high-impedance state as a result of self-discharge in the peripheral circuitry. UD may be switched off by the control bit OS to allow external adjustments.
By means of a control bit 5I the pump current can be switched between two values by software. This programmability permits alteration of the control response of the PLL in the locked-in state. In this way different VCO-gains in the different TV-bands can be compensated, for example.
- P1, P2** The software-switched outputs P1, P2 can be used for direct band selection (20 mA current output).
- P7** P7 is a general-purpose open-collector output. The test bit $T1 = 1$ switches the test signal Cy (divided input signal) to P7.
- CAU** Four different chip addresses can be set by appropriate connection of pin CAU.

I²C Bus Interface

Data are exchanged between the processor and the PLL on the I²C Bus.

SCL, SDA The clock is generated by the processor (input SCL), while pin SDA works as an input or output depending on the direction of the data (open collector; external pull-up resistor). Both inputs have hysteresis and a low-pass characteristic, which enhances the noise immunity of the I²C Bus.

The data from the processor pass through an I²C Bus control. Depending on their function the data are subsequently stored in registers. If the bus is free, both lines will be in the marking state (SDA, SCL are high). Each telegram begins with the start condition and ends with the stop condition. Start condition: SDA goes low, while SCL remains high. Stop condition: SDA goes high while SCL remains high. All further information transfer takes place during SCL = low, and the data is forwarded to the control logic on the positive clock edge.

The table “bit allocation” should be referred to in the following paragraph.

All telegrams are transmitted byte-by-byte, followed by a ninth clock pulse, during which the control logic returns the SDA-line to low (acknowledge condition). The first byte is comprised of seven address bits. These are used by the processor to select the PLL from several peripheral components (chip select). The eighth bit is always low.

In the data portion of the telegram the first bit of the first or third data byte determines whether a divider ratio or control information is to follow. In each case the second byte of the same data type or a stop condition has to follow the first byte.

V_s, GND When the supply voltage is applied a power-on reset circuit prevents the PLL from setting the SDA-line to low, which would block the bus.

Circuit Description (cont'd)

Bit Allocation

	MSB	A = Acknowledge							
Address byte	1	1	0	0	0	MA1	MA0	0	A
Prog. divider Byte 1	0	n14	n13	n12	n11	n10	n9	n8	A
Prog. divider Byte 2	n7	n6	n5	n4	n3	n2	n1	n0	A
Control info. Byte 1	1	5I	T1	T0	1	1	1	OS	A
Control info. Byte 2	P7	X	X	X	X	P2	P1	X	A

Divider Ratio

$$N = 16384 \times n_{14} + 8192 \times n_{13} + 4096 \times n_{12} + 2048 \times n_{11} + 1024 \times n_{10} + 512 \times n_9 + 256 \times n_8 + 128 \times n_7 + 64 \times n_6 + 32 \times n_5 + 16 \times n_4 + 8 \times n_3 + 4 \times n_2 + 2 \times n_1 + n_0$$

Band Selection

P1, P2, P7 = 1 Open-collector output is active.

Pump Current Programming

5I = 1 High current

UD Disable

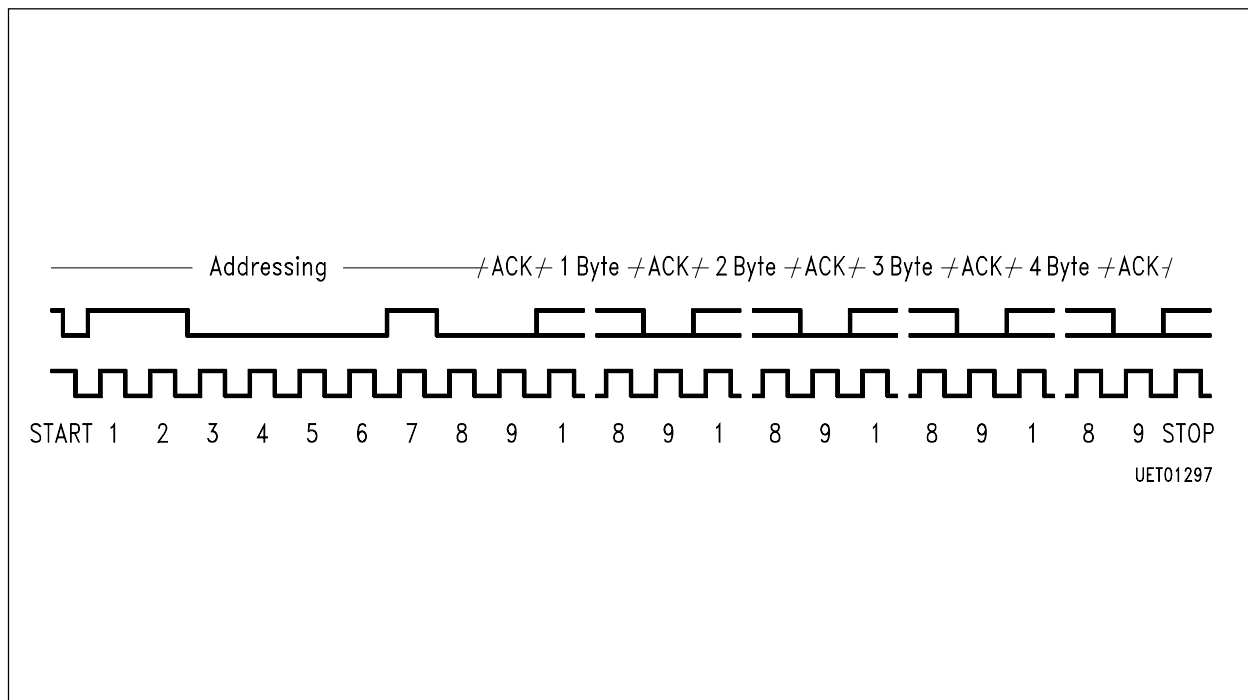
OS = 1 UD is disabled.

Test Mode

T1, T0 = 0, 0 Normal operation
 T1 = 1 P7 = carry Cy of programmable divider
 T0 = 1 Tristate: charge pump output PD is in high-impedance state.

Chip Address Switching

MA1	MA0	Voltage at CAU
0	0	(0 ... 0.1) V_S
0	1	open-circuit
1	0	(0.4 ... 0.6) V_S
1	1	(0.9 ... 1) V_S

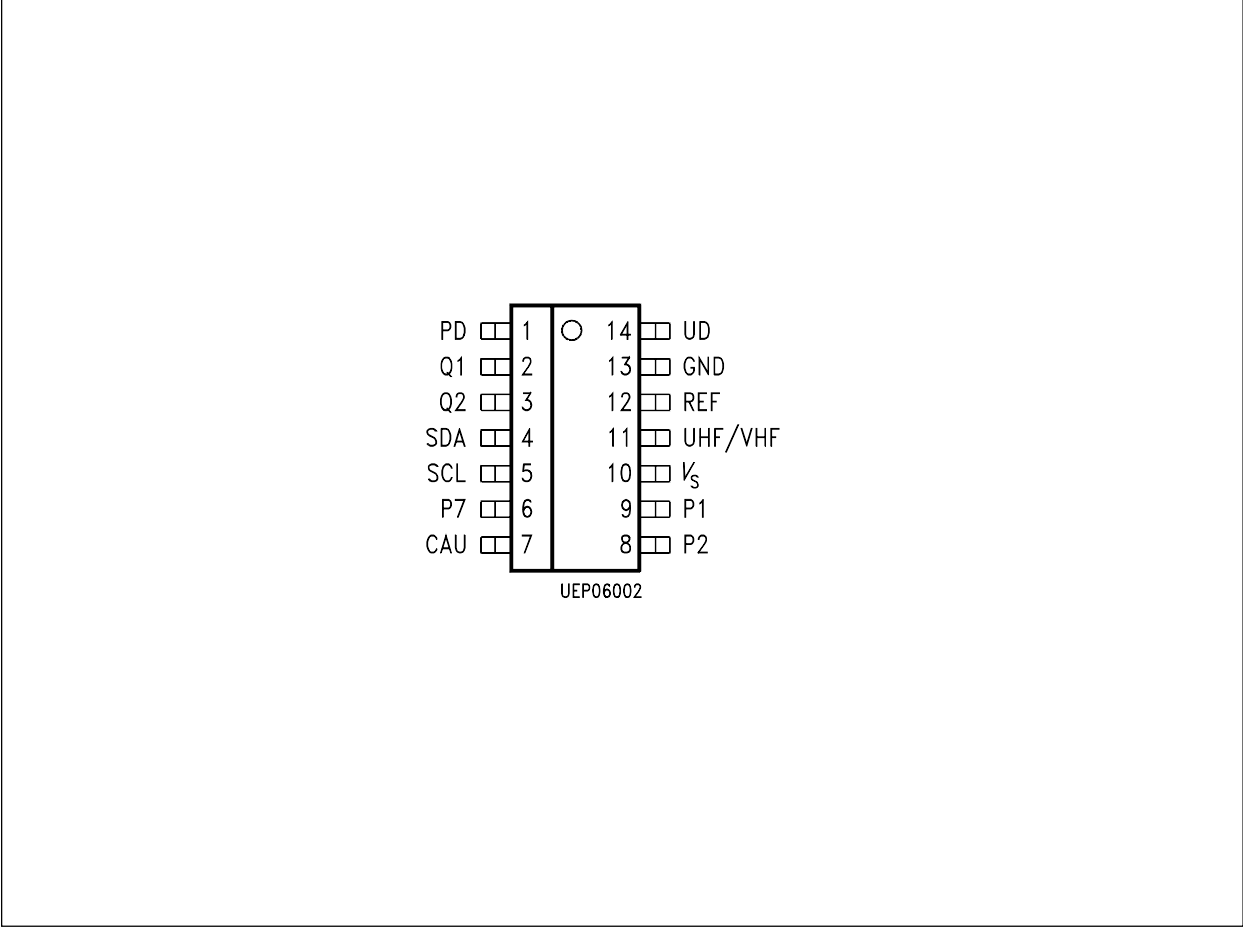


Telegram Examples

Start-Addr-DR1-DR2-CW1-CW2-Stop
 Start-Addr-CW1-CW2-DR1-DR2-Stop
 Start-Addr-DR1-DR2-CW1-Stop
 Start-Addr-CW1-CW2-DR1-Stop
 Start-Addr-DR1-DR2-Stop
 Start-Addr-CW1-CW2-Stop
 Start-Addr-DR1-Stop
 Start-Addr-CW1-Stop

Start = start condition
 Addr = address
 DR1 = divider ratio 1st byte
 DR2 = divider ratio 2nd byte
 CW1 = control word 1st Byte
 CW2 = control word 2nd Byte
 Stop = stop condition

Pin Configuration
(top view)



Pin Definitions and Functions

Pin No.	Symbol	Function
1	PD	Input active filter/charge pump output
2	Q1	Quartz crystal
3	Q2	Quartz crystal
4	SDA	Data input/output for I ² C Bus
5	SCL	Clock input for I ² C Bus
6	P7	Port output (open collector)
7	CAU	Address switch input
8	P2	Port output (open collector)
9	P1	Port output (open collector)
10	V _s	Supply voltage
11	UHF/VHF	Signal input
12	REF	Amplifier reference input
13	GND	Ground
14	UD	Output active filter

Absolute Maximum Ratings

$T_A = -20$ to 80 °C

Parameter	Symbol	Limit Values		Unit	Remarks
		min.	max.		
Supply voltage	V_S	- 0.3	6	V	
Output PD	V_1	- 0.3	V_S	V	
Crystal oscillator pins Q1, Q2	V_2	- 0.3	V_S	V	
Bus input/output SDA	V_4	- 0.3	6	V	
Bus input SCL	V_5	- 0.3	6	V	
Port outputs P1, P2, P7	V_6	- 0.3	16	V	
Chip address switch CAU	V_7	- 0.3	V_S	V	
Signal input UHF/VHF	V_{11}	- 0.3	0.3	V	for $V_S = 0$ V
Reference input REF	V_{12}	- 0.3	0.3	V	for $V_S = 0$ V
Output active filter UD	V_{14}	- 0.3	V_S	V	
Bus output SDA	I_{4L}	- 1	5	mA	open collector
Port outputs P7	I_{6L}	- 1	7	mA	open collector
Port outputs P1, P2	I_{8L}	- 1	20	mA	open collector
Total port output current	ΣI_L		25	mA	
Junction temperature	T_j		125	°C	
Storage temperature	T_{stg}	- 40	125	°C	
Thermal resistance (junction to ambient)	$R_{th JA}$		125	K/W	

Absolute Maximum Ratings (cont'd)

$T_A = -20$ to 80 °C

Parameter	Symbol	Limit Values		Unit	Remarks
		min.	max.		

Operating Range

Supply voltage	V_S	4.5	5.5	V	
Ambient temperature	T_A	-20	80	°C	
Input frequency	f_{11}	16	1300	MHz	(at 25 °C)
Crystal frequency	f_2		4	MHz	
Programmable divider factor	N	256	32767		

AC/DC Characteristics

$T_A = -20$ to 80 °C; $V_S = 4.5$ to 5.5 V

Parameter	Symbol	Limit Values			Unit	Test Condition	Test Circuit
		min.	typ.	max.			
Supply current	I_S		37	55	mA	$V_S = 5$ V	1
Crystal oscillator frequency	f_2	3.99975	4.000	4.00025	MHz	series capacitance 18 pF, $f_Q = 4$ MHz	1
Oscillator amplitude (voltage across crystal)			2.6 ¹⁾		V _{pp}		
Margin from 1st (fundamental) to 2nd and 3rd harmonics			20 ¹⁾		dB		

Signal Input UHF/VHF

Sensitivity	a_{11}	-27/10		3/315	dBm ²⁾	$f_{11} = 70 \dots 500$ MHz	2
	a_{11}	-27/10		3/315	dBm ²⁾	$f_{11} = 1000$ MHz	2
	a_{11}	-20/22		3/315	dBm ²⁾	$f_{11} = 1100$ MHz	2

Notes see page 11.

AC/DC Characteristics (cont'd)

$T_A = -20$ to 80 °C; $V_S = 4.5$ to 5.5 V

Parameter	Symbol	Limit Values			Unit	Test Condition	Test Circuit
		min.	typ.	max.			

Port Output P7 (switch with open collector)³⁾

H-input current	I_{6H}			10	μA	$V_{6H} = 13.5$ V	4
L-output voltage	V_{6L}			0.5	V	$I_{6L} = 1.7$ mA	4

Port Outputs P1, P2 (switch with open collector)³⁾

H-input current	I_{8H}			10	μA	$V_{8H} = 13.5$ V	3
L-output voltage	V_{8L}			0.5	V	$I_{8L} = 20$ mA	3

Phase-Detector Output PD ($V_S = 5$ V)

Pump current	I_{1H}	± 90	± 220	± 300	μA	5I = high; $V_1 = 2$ V	5
Pump current	I_{1H}	± 22	± 50	± 75	μA	5I = low; $V_1 = 2$ V	5
Tristate current	I_{1Z}	-5	0	5	nA	T1 = 1; $V_1 = 2$ V	5
Output voltage	V_{1L}	1.0		2.5	V	locked	5

Active Filter Output UD (Test mode T0 = 1; PD = tristate)

Output current	$-I_{14}$	500			μA	$V_{14} = 0.8$ V; $I_{1H} = 90$ μA	5
Output voltage	V_{14}			100	mV	$V_{1L} = 0$ V	5
Output voltage	V_{14}			500	mV	OS = 1;	5

Chip Address Switch CAU

Input current	I_{7H}			50	μA	$V_{7H} = 5$ V	7
Input current	$-I_{7H}$			50	μA	$V_{7H} = 5$ V	7

1) Design note only: no 100 % final inspection.

2) mVrms into 50 Ω .

3) The sum of the currents in ports P1, P2, P7 may not exceed 25 mA.

AC/DC Characteristics (cont'd) $T_A = -20$ to 80 °C; $V_S = 4.5$ to 5.5 V; refer to test circuit 6

Parameter	Symbol	Limit Values			Unit	Test Condition
		min.	typ.	max.		

Bus Inputs SCL, SDA

H-input voltage	V_{4IH}	3		5.5	V	
L-input voltage	V_{4IL}			1.5	V	
H-input current	I_{4IH}			10	μ A	$V_{4IH} = V_S$
L-input current	$-I_{4IL}$			20	μ A	$V_{4IL} = 0$ V

Bus Output SDA (open collector)

H-output current	I_{4OH}			10	μ A	$V_{4OH} = 5.5$ V
L-output voltage	V_{4OL}			0.4	V	$I_{4OL} = 3$ mA

Edges SCL, SDA

Rise time	t_R			1	μ s	
Fall time	t_F			0.3	μ s	

Shift Clock SCL

Frequency	f_S	0		100	kHz	
H-pulse width	t_{5H}	4			μ s	
L-pulse width	t_{5L}	4.7			μ s	

Start

Set-up time	t_{SUSTA}	4.7			μ s	
Hold time	t_{HDSTA}	4			μ s	

Stop

Set-up time	t_{SUSTO}	4.7			μ s	
Bus free	t_{BUF}	4.7			μ s	

AC/DC Characteristics (cont'd)

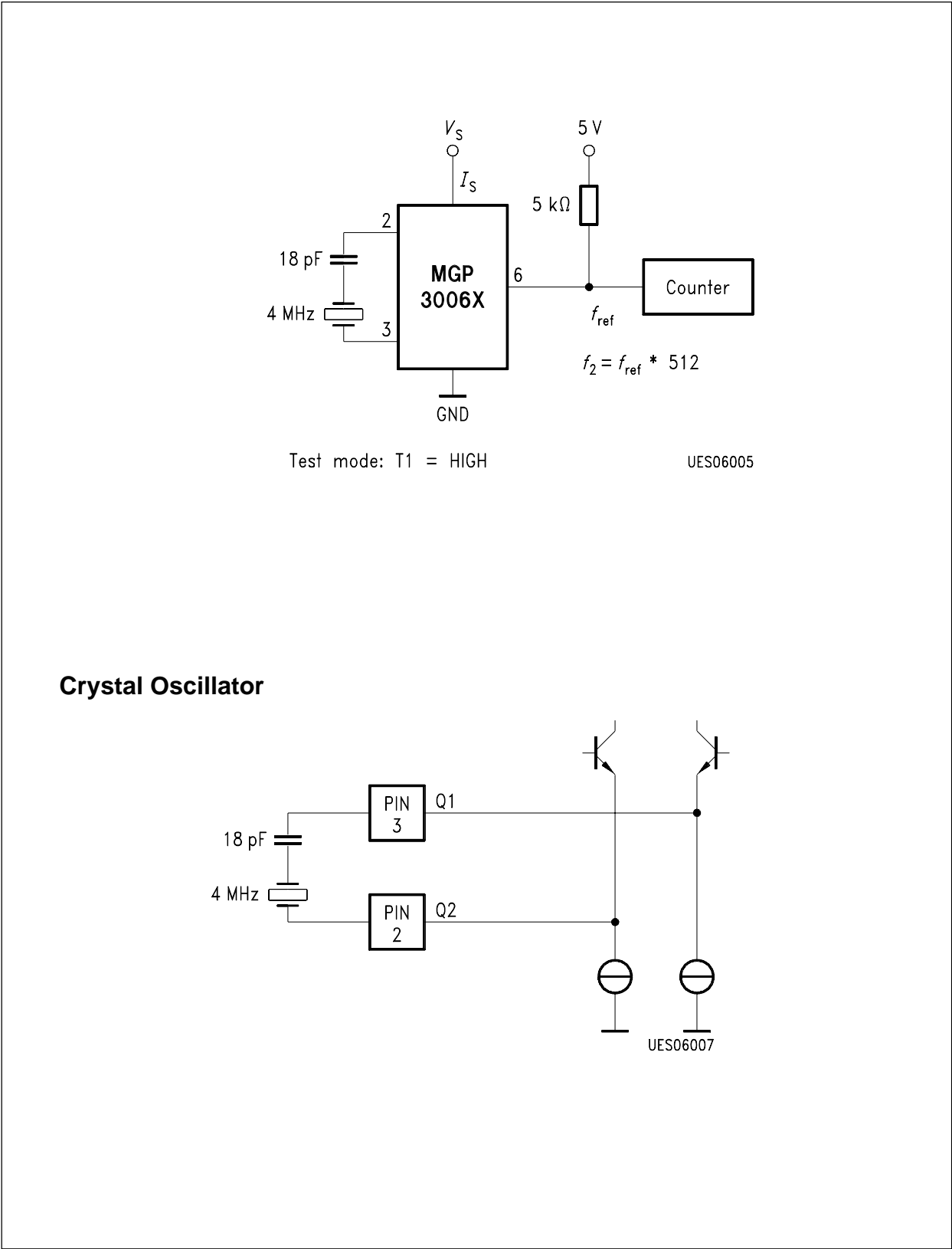
$T_A = -20$ to 80 °C; $V_S = 4.5$ to 5.5 V; refer to test circuit 6

Parameter	Symbol	Limit Values			Unit	Test Condition
		min.	typ.	max.		

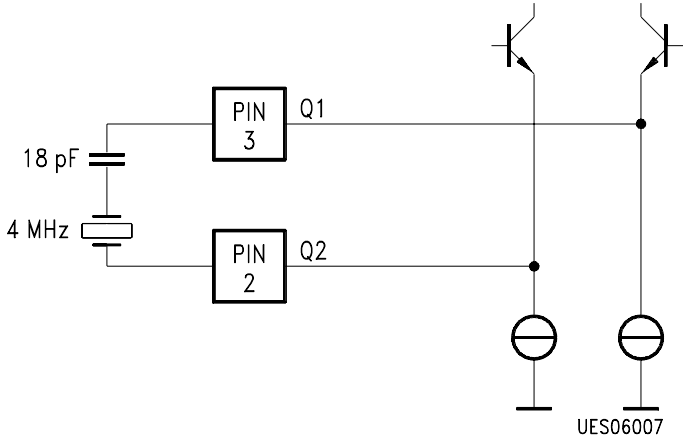
Data Transfer

Set-up time	t_{SUDAT}	0.25			μ s	
Hold time	t_{HDDAT}	0			μ s	
Input hysteresis SCL, SDA ¹⁾			300		mV	
Low-pass cutoff frequency SCL, SDA ¹⁾			500		kHz	

1) Design note only: no 100 % final inspection.

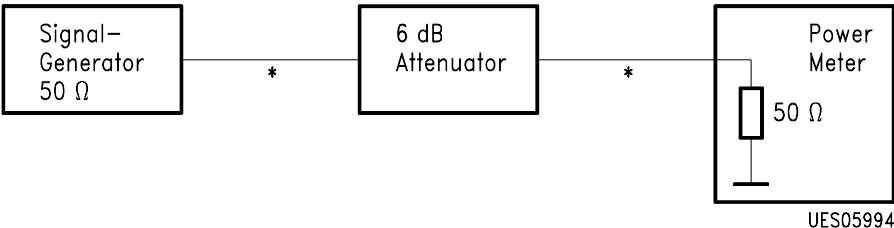


Crystal Oscillator

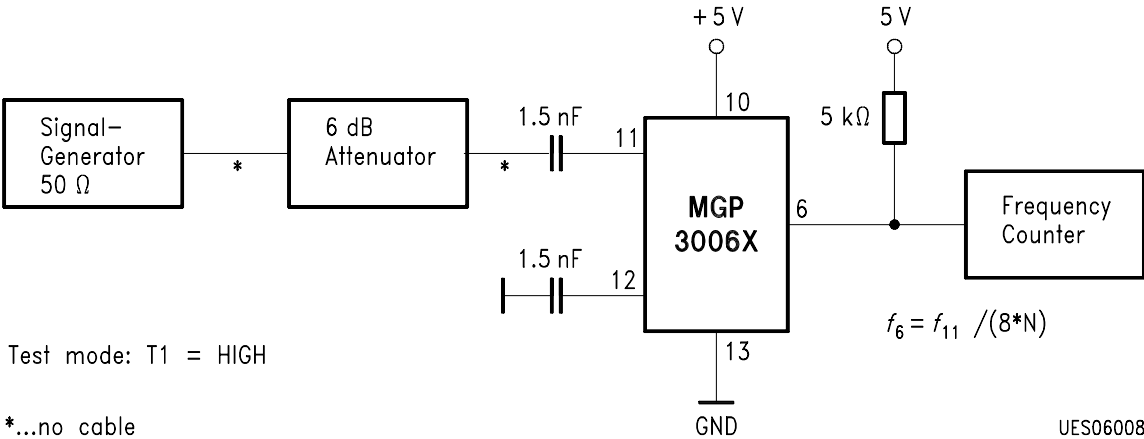


Test Circuit 1

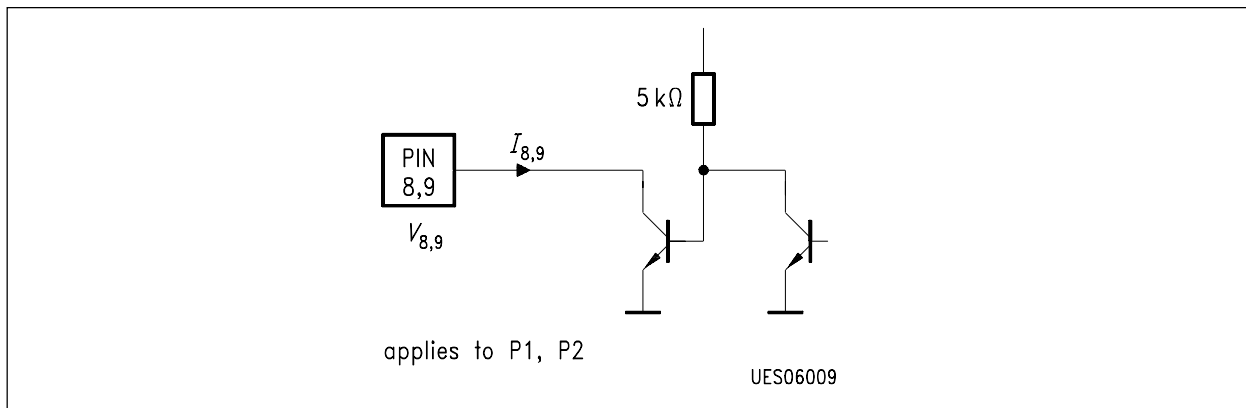
Calibration of Signal Generator



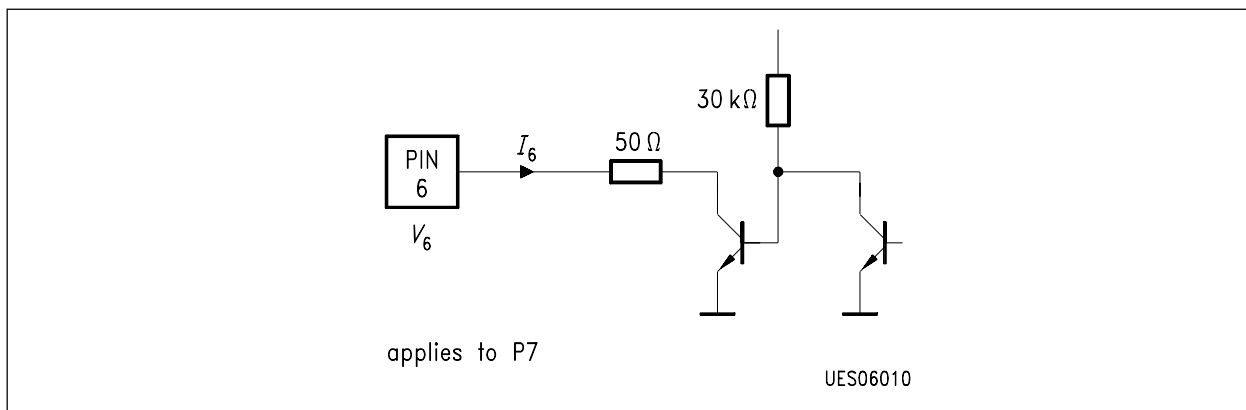
Measurement of Input Sensitivity



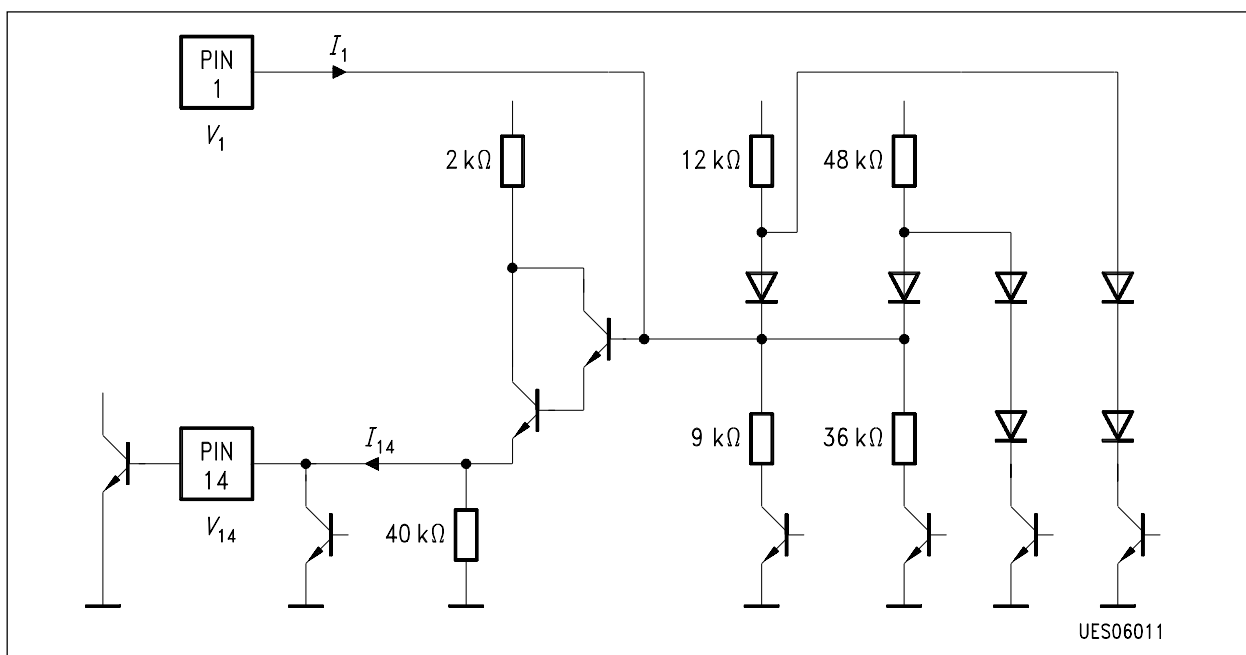
Test Circuit 2



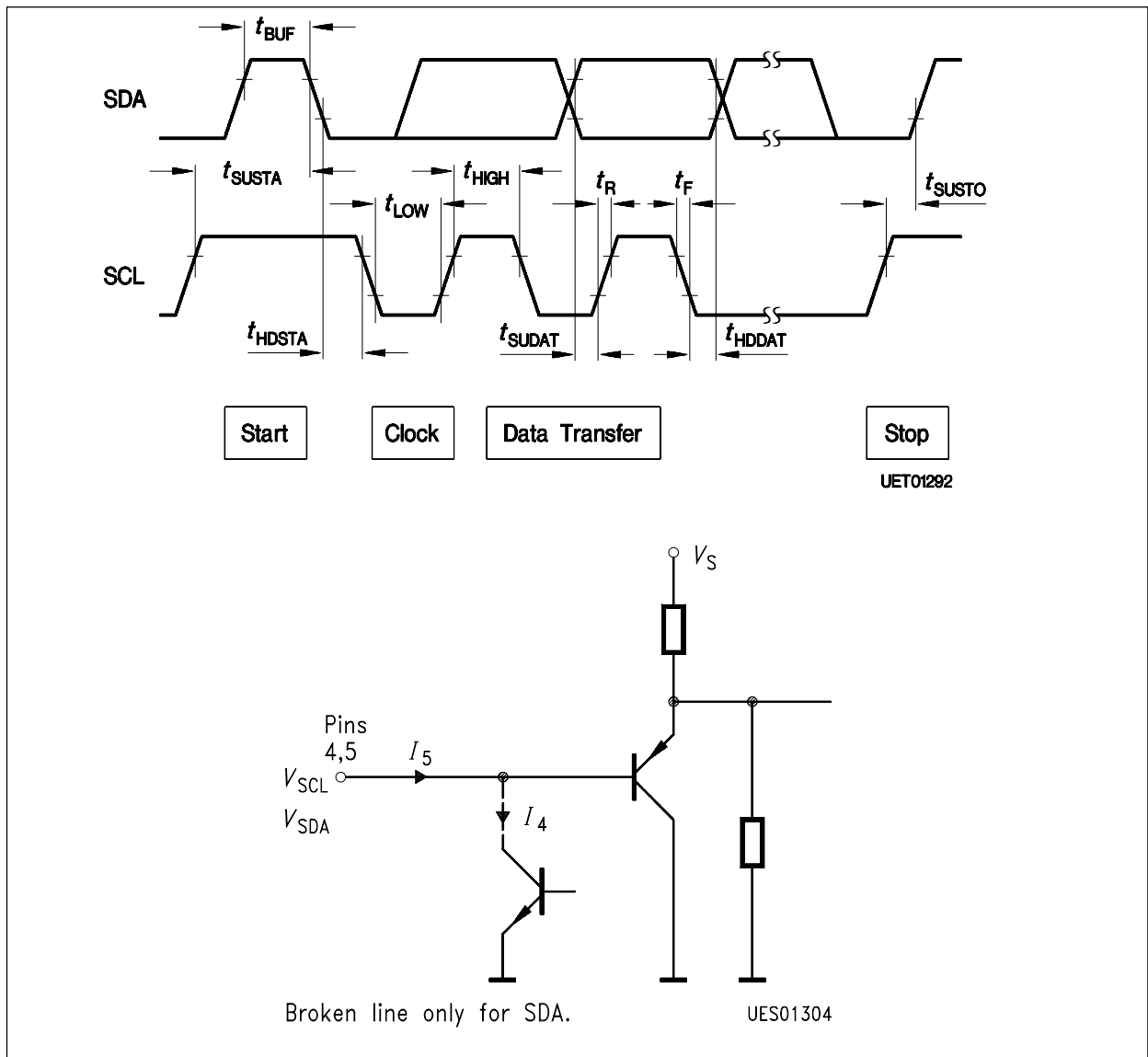
Test Circuit 3



Test Circuit 4



Test Circuit 5

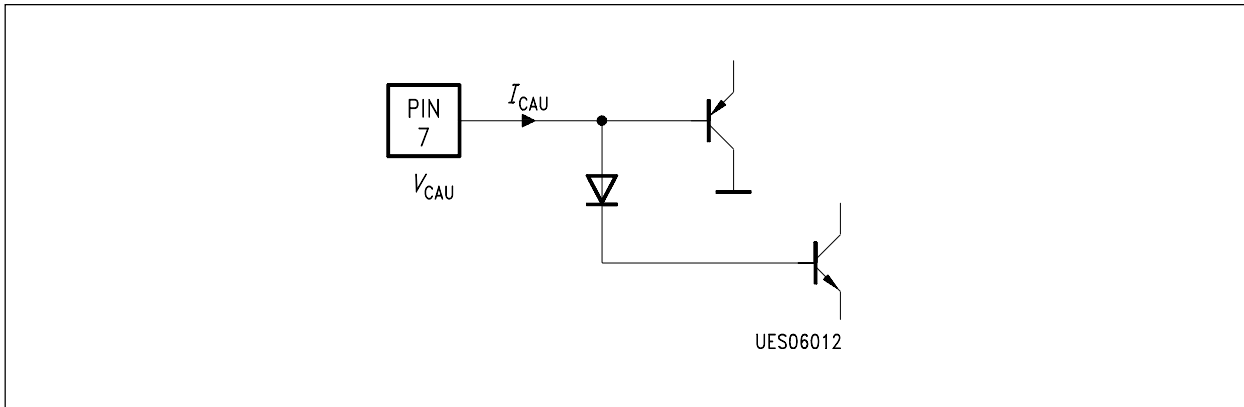


Test Circuit 6

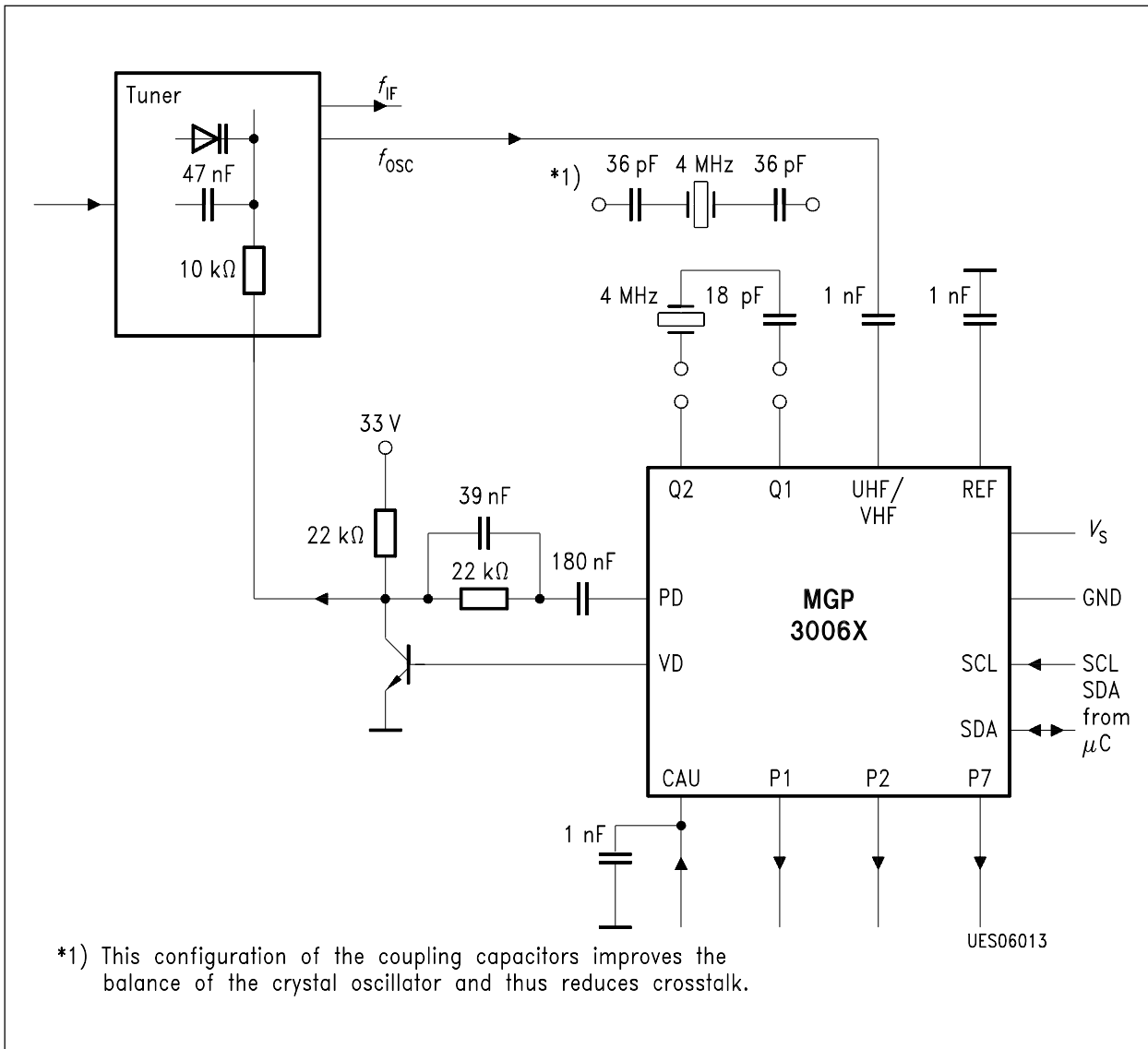
I²C Bus Timing Diagram

Set-up time (start)	t_{SUSTA}
Hold time (start)	t_{HDSTA}
H-pulse width (clock)	t_{HIGH}
L-pulse width (clock)	t_{LOW}
Set-up time (data transfer)	t_{SUDAT}
Hold time (data transfer)	t_{HDDAT}
Set-up time (stop)	t_{SUSTO}
Bus free time	t_{BUF}
Fall time	t_F
Rise time	t_R

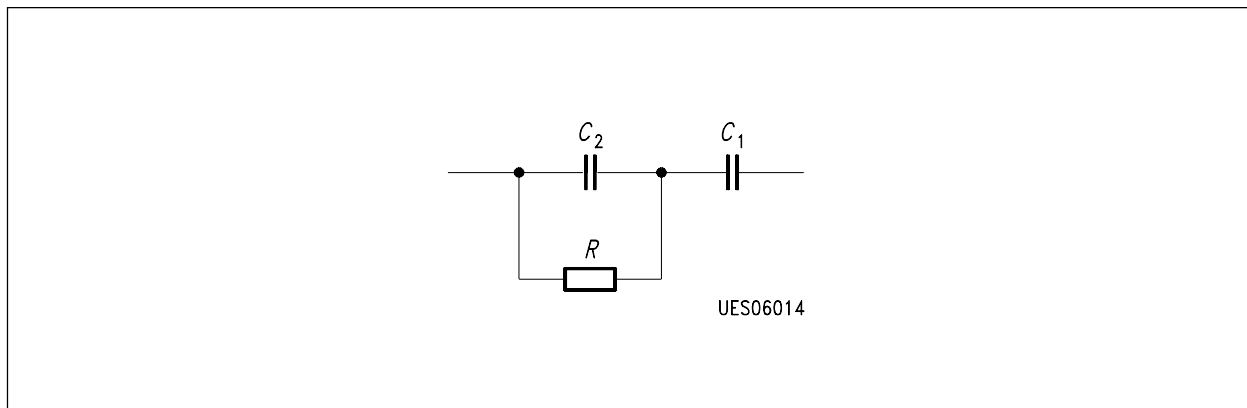
All times related to 10 % and 90 % values.



Test Circuit 7



Application Circuit



Loop Filter

Loop Filter Calculation

Loop bandwidth: $\omega_R = \sqrt{[(I_P \times K_{VCO}) / (C_1 \times P \times N)]}$

Attenuation: $a = 0.5 \times \omega_R \times R \times C_1$

P = prescaler division ratio

N = programmable division ratio

I_P = charge pump current

K_{VCO} = tuner slope

R, C_1 = loop filter

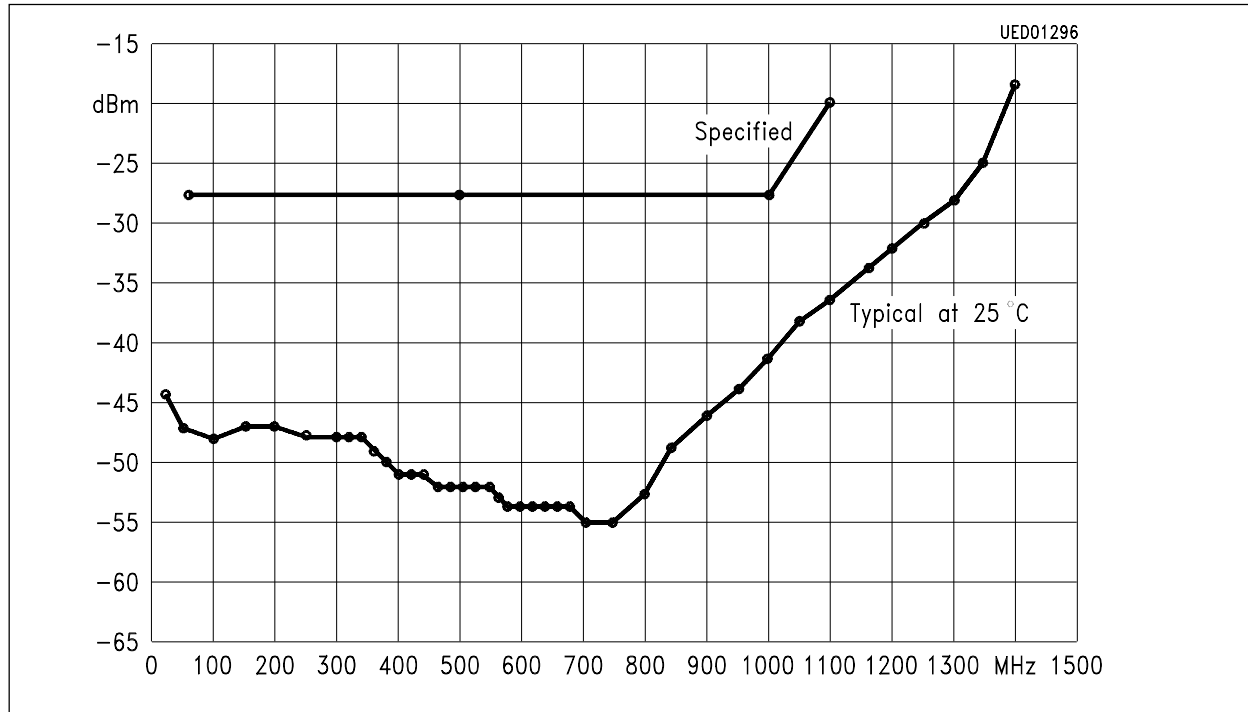
Example for channel 47:

$P = 8, N = 11520, I_P = 50 \mu A, K_{VCO} = 18.7 \text{ MHz/V}, R = 22 \text{ k}\Omega, C_1 = 180 \text{ nF},$
 $\omega_R = 237 \text{ Hz}, f_R = 38 \text{ Hz}, a = 0.47$

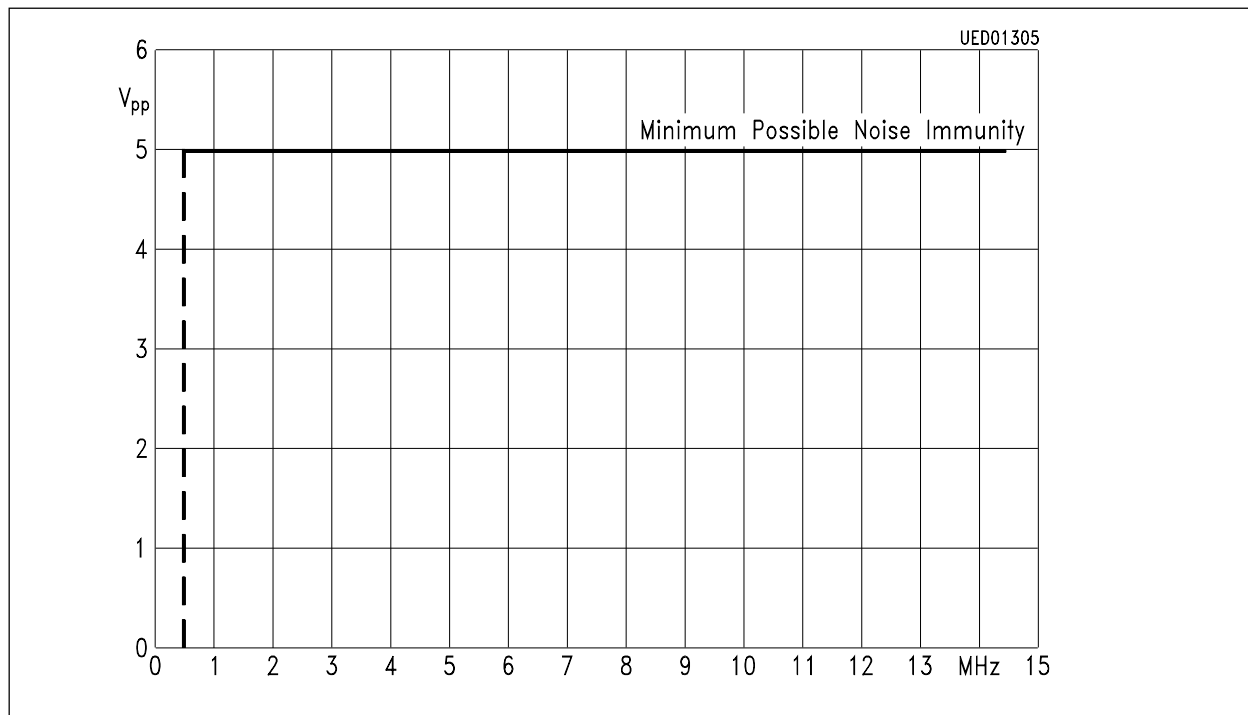
Note: The high-impedance port outputs and CAU can be decoupled from external noise with a capacitor of 1 nF.

It is important to keep to the I²C Bus specification concerning maximum capacitance and impedance.

Diagrams



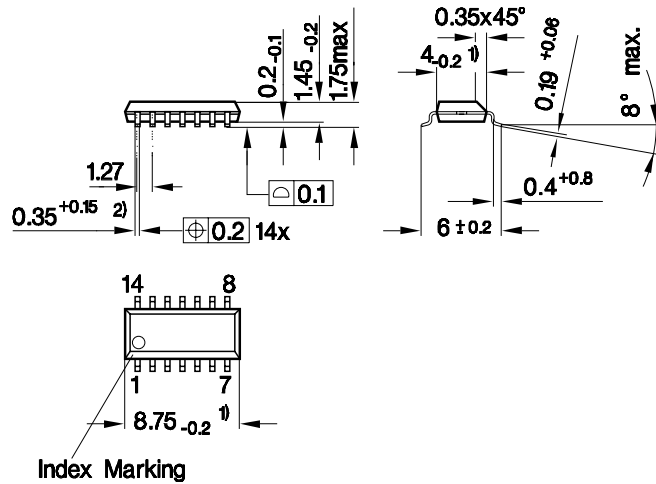
Sensitivity at UHF/VHF-Input



I²C Bus Noise Immunity

Sinusoidal noise pulses are applied via a coupling capacitance of 33 pF to the SCL- and SDA-inputs.

Plastic Package, P-DSO-14-1 (SMD)
 (Plastic Dual Small Outline)



- 1) Does not include plastic or metal protrusion of 0.15 max. per side
- 2) Does not include dambar protrusion of 0.05 max. per side

GPS05093

Sorts of Packing

Package outlines for tubes, trays etc. are contained in our Data Book "Package Information"

SMD = Surface Mounted Device

Dimensions in mm