

5150-pixel CCD Linear Sensor (B/W)

Description

The ILX553B is a reduction type CCD linear sensor developed for DPPC, multifunction printers. This sensor reads A4-size documents at a density of 600 DPI at high speed of 16MHz.

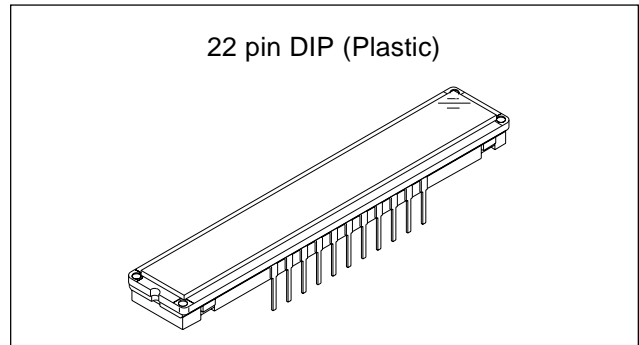
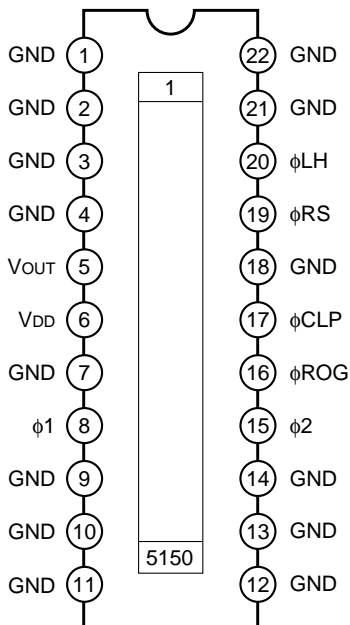
Features

- Number of effective pixels: 5150 pixels
- Pixel size: 7μm × 7μm (7μm pitch)
- Clamp circuit is on-chip
- Ultra high sensitivity/Ultra low lag
- Maximum data rate: 16MHz
- Single 12V power supply
- Input clock pulse: CMOS 5V drive
- Package: 22 pin Plastic DIP (400mil)

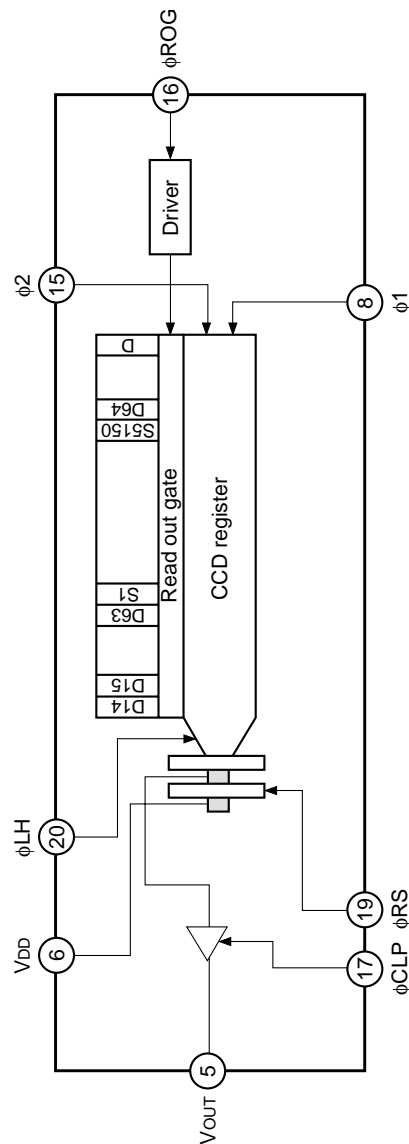
Absolute Maximum Ratings

- Supply voltage V<sub>DD</sub> 15 V
- Operating temperature -10 to +60 °C
- Storage temperature -30 to +80 °C

Pin Configuration (Top View)



Block Diagram



Sony reserves the right to change products and specifications without prior notice. This information does not convey any license by any implication or otherwise under any patents or other right. Application circuits shown, if any, are typical examples illustrating the operation of the devices. Sony cannot assume responsibility for any problems arising out of the use of these circuits.

**Pin Description**

Pin No.	Symbol	Description	Pin No.	Symbol	Description
1	GND	GND	12	GND	GND
2	GND	GND	13	GND	GND
3	GND	GND	14	GND	GND
4	GND	GND	15	$\phi 2$	Clock pulse input
5	V <sub>OUT</sub>	Signal out	16	$\phi$ ROG	Clock pulse input
6	V <sub>DD</sub>	12V power supply	17	$\phi$ CLP	Clock pulse input
7	GND	GND	18	GND	GND
8	$\phi 1$	Clock pulse input	19	$\phi$ RS	Clock pulse input
9	GND	GND	20	$\phi$ LH	Clock pulse input
10	GND	GND	21	GND	GND
11	GND	GND	22	GND	GND

**Recommended Supply Voltage**

Item	Min.	Typ.	Max.	Unit
V <sub>DD</sub>	11.4	12.0	12.6	V

**Clock Characteristics**

Item	Symbol	Min.	Typ.	Max.	Unit
Input capacity of $\phi 1$ , $\phi 2$	C $\phi 1$ , C $\phi 2$	—	400	—	pF
Input capacity of $\phi$ LH*1	C $\phi$ LH	—	10	—	pF
Input capacity of $\phi$ RS*1	C $\phi$ RS	—	10	—	pF
Input capacity of $\phi$ CLP*1	C $\phi$ CLP	—	10	—	pF
Input capacity of $\phi$ ROG	C $\phi$ ROG	—	10	—	pF

**Clock Frequency**

Item	Symbol	Min.	Typ.	Max.	Unit
$\phi 1$ , $\phi 2$ , $\phi$ LH, $\phi$ RS, $\phi$ CLP	f $\phi 1$ , f $\phi 2$ , f $\phi$ LH, f $\phi$ RS, f $\phi$ CLP	—	1	16	MHz

**Input Clock Pulse Voltage Condition**

Item	Min.	Typ.	Max.	Unit	
$\phi 1$ , $\phi 2$ , $\phi$ LH, $\phi$ RS, $\phi$ CLP, $\phi$ ROG pulse voltage	High level	4.75	5.0	5.25	V
	Low level	0	—	0.1	V

**Electrooptical Characteristics (Note 1)**

Ta = 25°C, VDD = 12V, f<sub>φR</sub> = 2MHz, Input clock = 5Vp-p,  
Light source = 3200K, IR cut filter CM-500S (t = 1.0mm)

Item	Symbol	Min.	Typ.	Max.	Unit	Remarks
Sensitivity	R	11.8	14.8	17.8	V/(lx · s)	Note 2
Sensitivity nonuniformity	PRNU	—	4	10	%	Note 3
Saturation output voltage	V <sub>SAT</sub>	1	2	—	V	Note 4
Saturation exposure	SE <sub>R</sub>	—	0.14	—	lx · s	Note 5
Dark voltage average	V <sub>DRK</sub>	—	0.3	2	mV	Note 6
Dark signal nonuniformity	DSNU	—	0.6	3	mV	
Image lag	IL	—	0.02	—	%	Note 7
Supply current	I <sub>VDD</sub>	—	15	30	mA	—
Total transfer efficiency	TTE	92	98	—	%	—
Output impedance	Z <sub>O</sub>	—	230	—	Ω	—
Offset level	V <sub>OS</sub>	—	6.2	—	V	Note 8

**Notes**

- 1) In accordance with the given electrooptical characteristics, the even black level is defined as the average value of D14, D15, to D62.
- 2) For the sensitivity test light is applied with a uniform intensity of illumination.
- 3) PRNU is defined as indicated below. Ray incidence conditions are the same as for Note 2.

$$V_{OUT} = 500\text{mV (Typ.)}$$

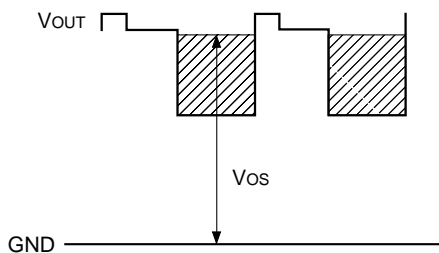
$$PRNU = \frac{(V_{MAX} - V_{MIN})/2}{V_{AVE}} \times 100 [\%]$$

The maximum output of 5150 pixels is set to V<sub>MAX</sub>, the minimum output to V<sub>MIN</sub> and the average output to V<sub>AVE</sub>.

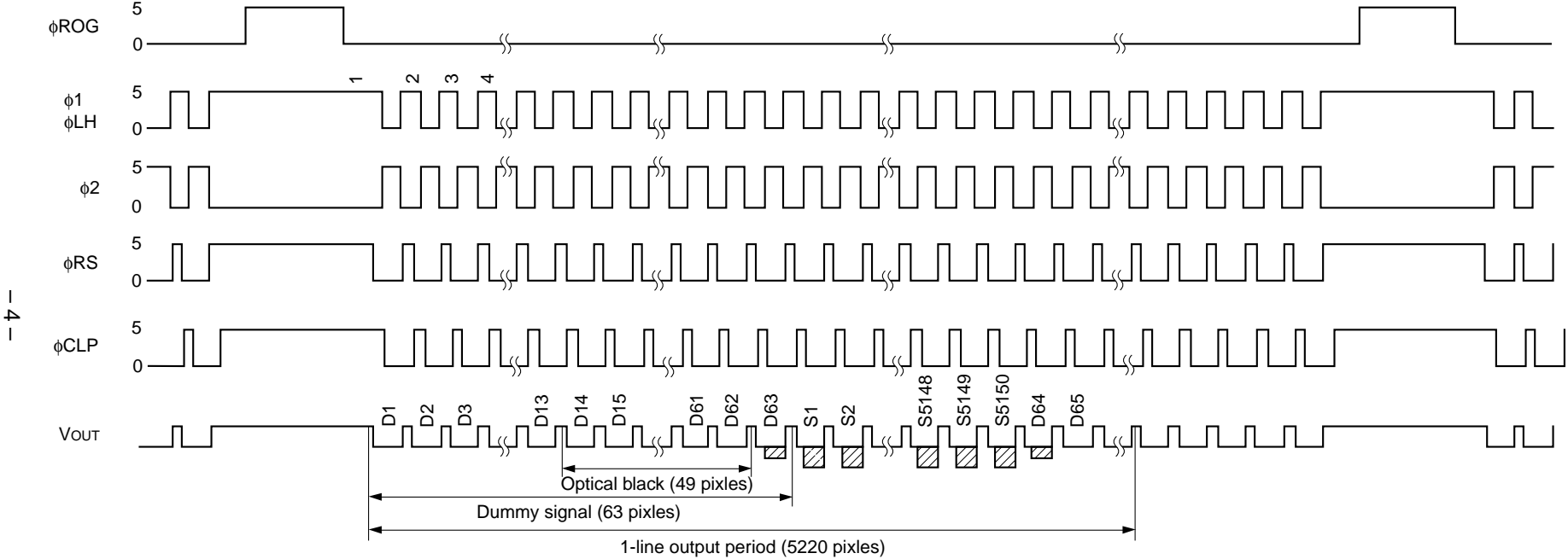
- 4) Use below the minimum value of the saturation output voltage.
- 5) Saturation exposure is defined as follows.

$$SE = \frac{V_{SAT}}{R}$$

- 6) Optical signal accumulated time τ<sub>int</sub> stands at 10ms.
- 7) V<sub>OUT</sub> = 500mV (Typ.)
- 8) V<sub>OS</sub> is defined as indicated bellow.

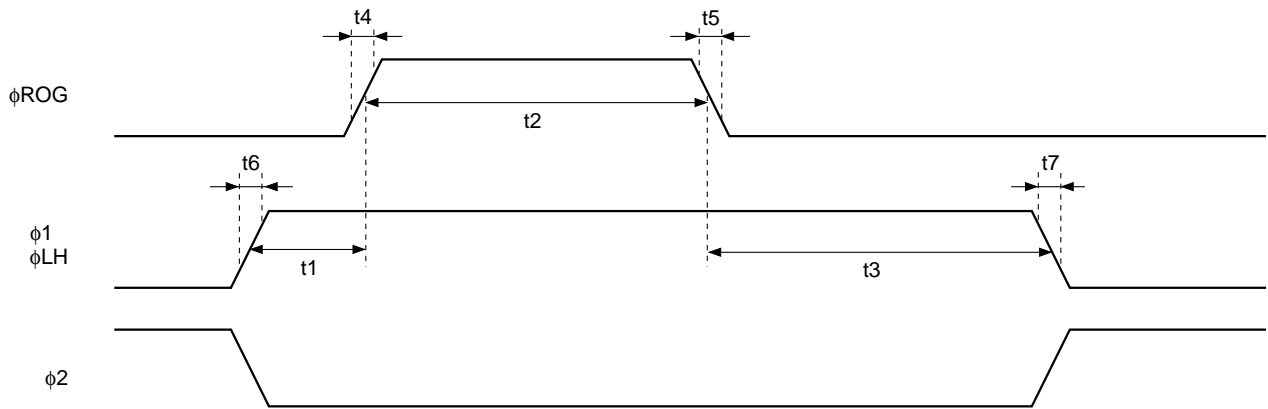


**Clock Timing Chart 1**

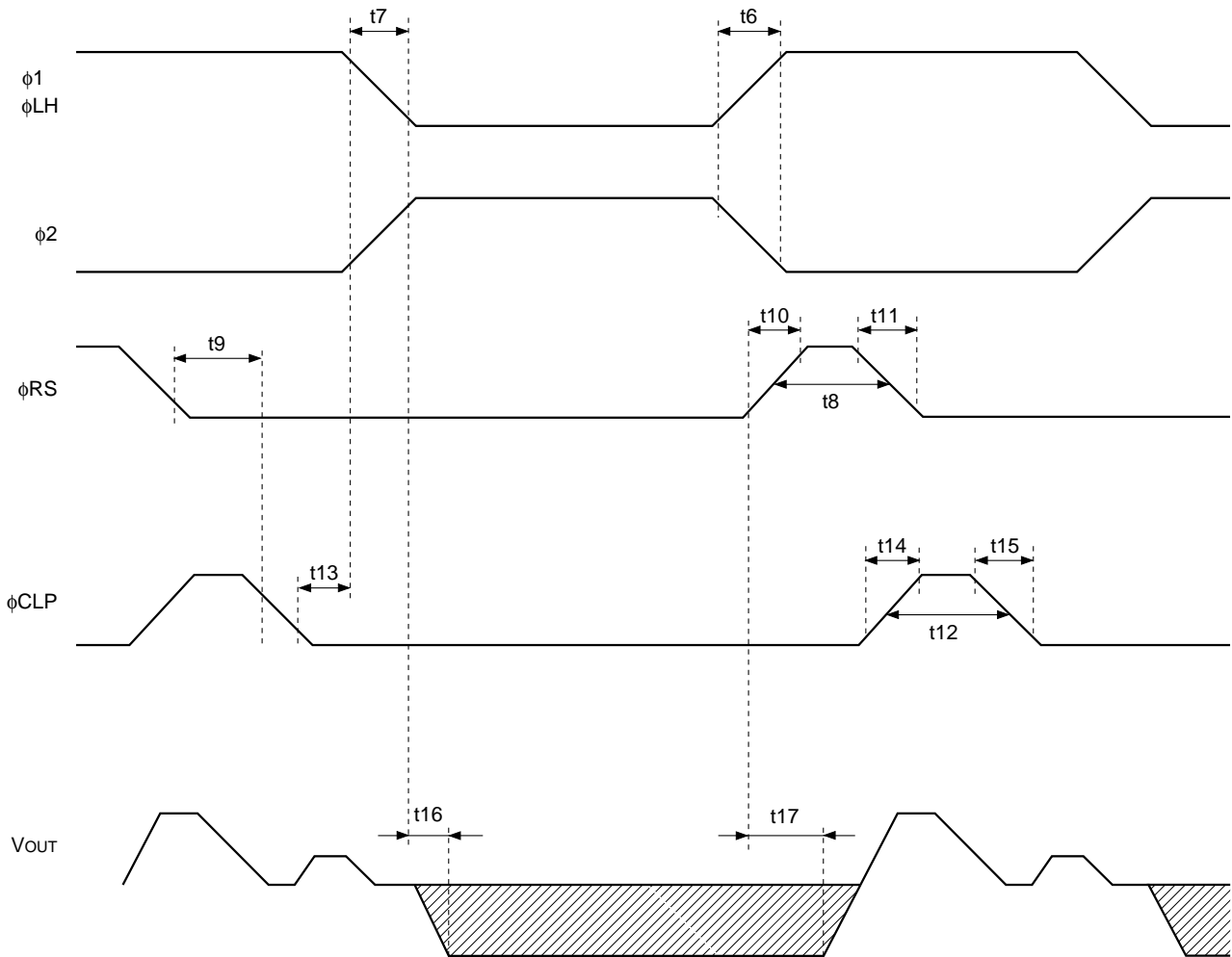


**Note)** The transfer pulses ( $\phi1$ ,  $\phi2$ ,  $\phiLH$ ) must have more than 5220 cycles.

**Clock Timing Chart 2**

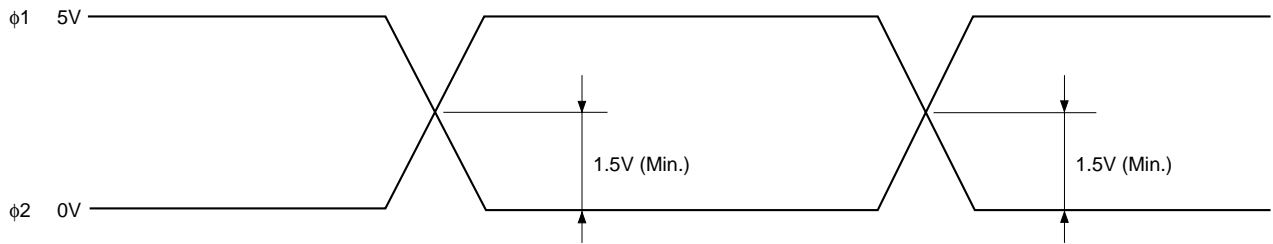


**Clock Timing Chart 3**

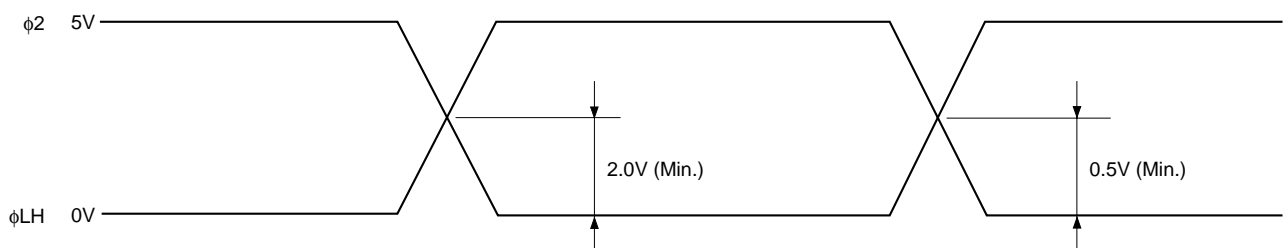


**Clock Timing Chart 4**

Cross point  $\phi 1$  and  $\phi 2$



Cross point  $\phi LH$  and  $\phi 2$



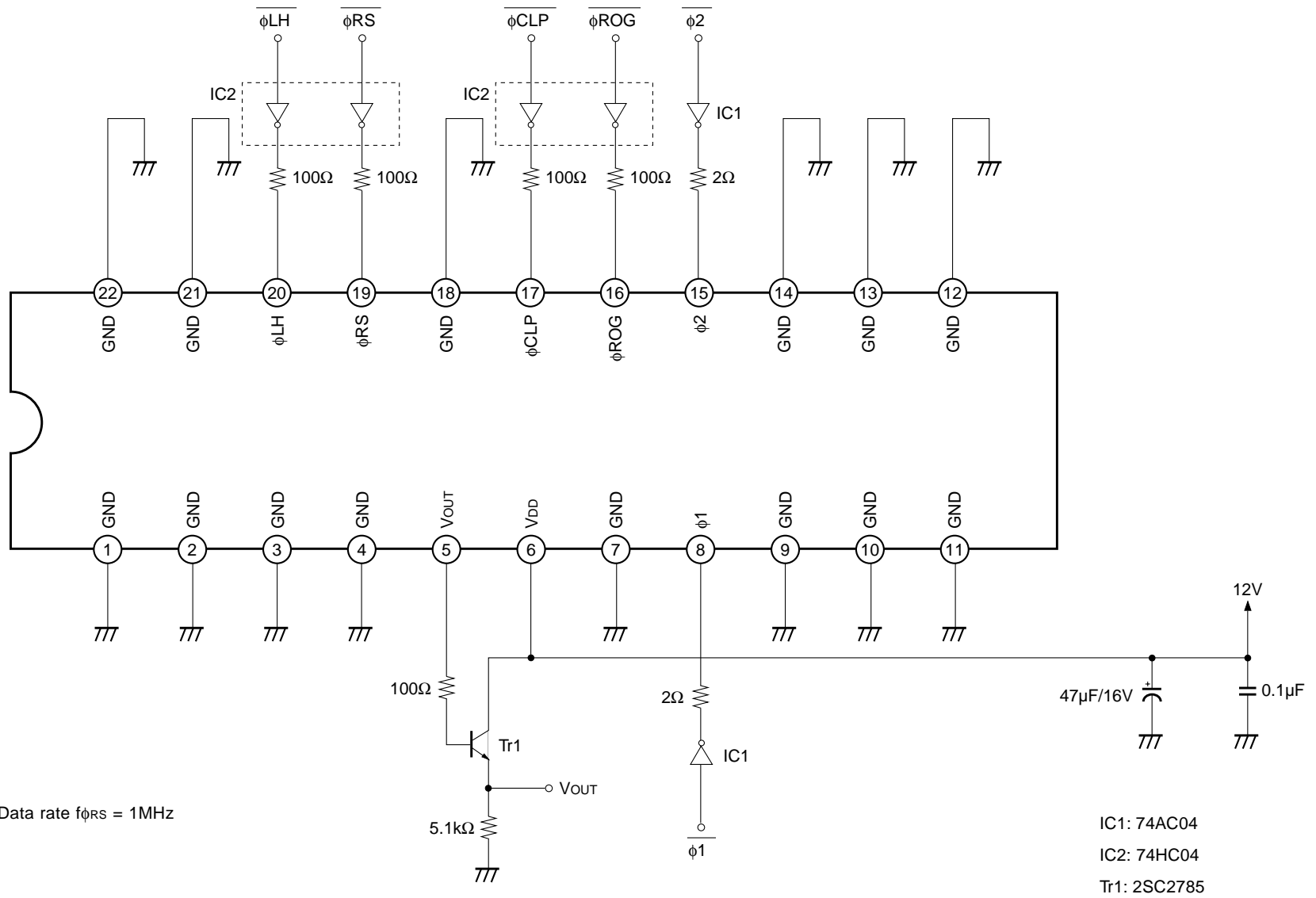
## Clock Pulse Recommended Timing

Item	Symbol	Min.	Typ.	Max.	Unit
$\phi$ ROG, $\phi$ 1 pulse timing	t1	50	100	—	ns
$\phi$ ROG pulse high level period	t2	3	5	—	$\mu$ s
$\phi$ ROG, $\phi$ 1 pulse timing	t3	1	2	—	$\mu$ s
$\phi$ ROG pulse rise time	t4	0	5	10	ns
$\phi$ ROG pulse fall time	t5	0	5	10	ns
$\phi$ 1 pulse rise time/ $\phi$ 2 pulse fall time	t6	0	20	60	ns
$\phi$ 1 pulse fall time/ $\phi$ 2 pulse rise time	t7	0	20	60	ns
$\phi$ RS pulse high level period	t8	(10)	200* <sup>1</sup>	—	ns
$\phi$ RS, $\phi$ CLP pulse timing	t9	(10)	200* <sup>1</sup>	—	ns
$\phi$ RS pulse rise time	t10	0	10	(30)	ns
$\phi$ RS pulse fall time	t11	0	10	(30)	ns
$\phi$ CLP pulse high level period	t12	(20)	200* <sup>1</sup>	—	ns
$\phi$ CLP, $\phi$ LH pulse timing	t13	(5)	50* <sup>1</sup>	—	ns
$\phi$ CLP pulse rise time	t14	0	10	(30)	ns
$\phi$ CLP pulse fall time	t15	0	10	(30)	ns
Signal output delay time	t16	—	15	—	ns
	t17	—	8	—	ns

\*<sup>1</sup> These timing is the recommended condition under  $f_{\phi RS} = 1\text{MHz}$ .

# Application Circuit\*

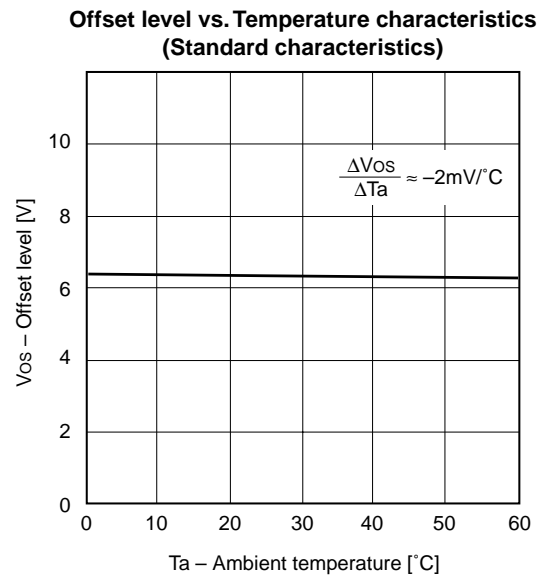
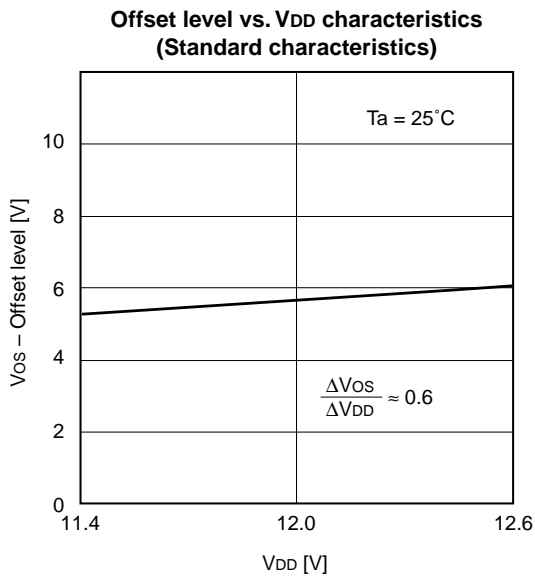
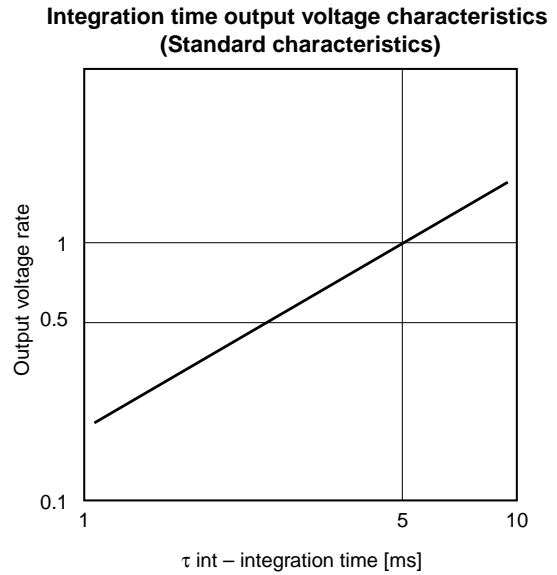
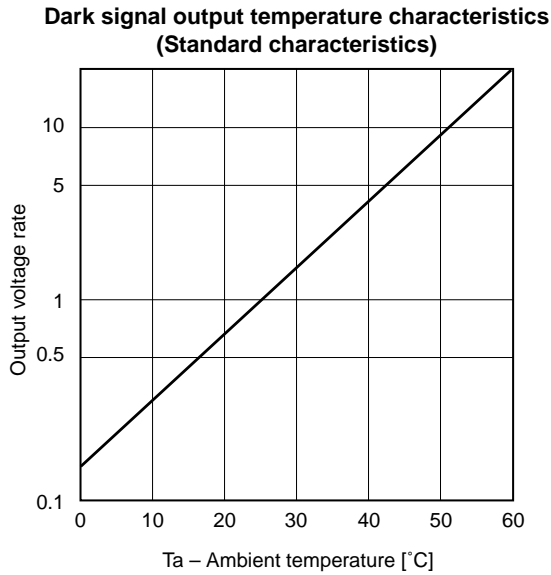
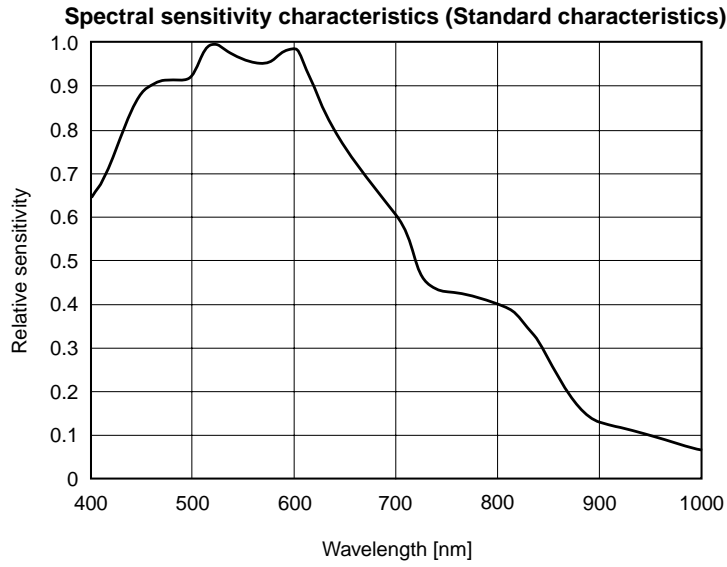
- 8 -



Application circuits shown are typical examples illustrating the operation of the devices. Sony cannot assume responsibility for any problems arising out of the use of these circuits or for any infringement of third party patent and other right due to same.



Example of Representative Characteristics ( $V_{DD} = 12V$ ,  $T_a = 25^\circ C$ )



## Notes of Handling

### 1) Static charge prevention

CCD image sensors are easily damaged by static discharge. Before handling be sure to take the following protective measures.

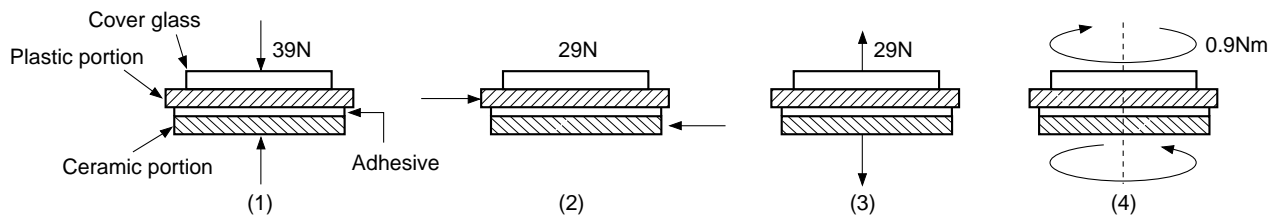
- a) Either handle bare handed or use non chargeable gloves, clothes or material. Also use conductive shoes.
- b) When handling directly use an earth band.
- c) Install a conductive mat on the floor or working table to prevent the generation of static electricity.
- d) Ionized air is recommended for discharge when handling CCD image sensor.
- e) For the shipment of mounted substrates, use boxes treated for prevention of static charges.

### 2) Notes on Handling CCD Packages

The following points should be observed when handling and installing packages.

a) Remain within the following limits when applying static load to the package:

- (1) Compressive strength: 39N/surface (Do not apply load more than 0.7mm inside the outer perimeter of the glass portion.)
- (2) Shearing strength: 29N/surface
- (3) Tensile strength: 29N/surface
- (4) Torsional strength: 0.9Nm



b) In addition, if a load is applied to the entire surface by a hard component, bending stress may be generated and the package may fracture, etc., depending on the flatness of the ceramic portion. Therefore, for installation, either use an elastic load, such as a spring plate, or an adhesive.

c) Be aware that any of the following can cause the package to crack or dust to be generated.

- (1) Applying repetitive bending stress to the external leads.
- (2) Applying heat to the external leads for an extended period of time with soldering iron.
- (3) Rapid cooling or heating.
- (4) Prying the plastic portion and ceramic portion away at a support point of the adhesive layer.
- (5) Applying the metal a crash or a rub against the plastic portion.

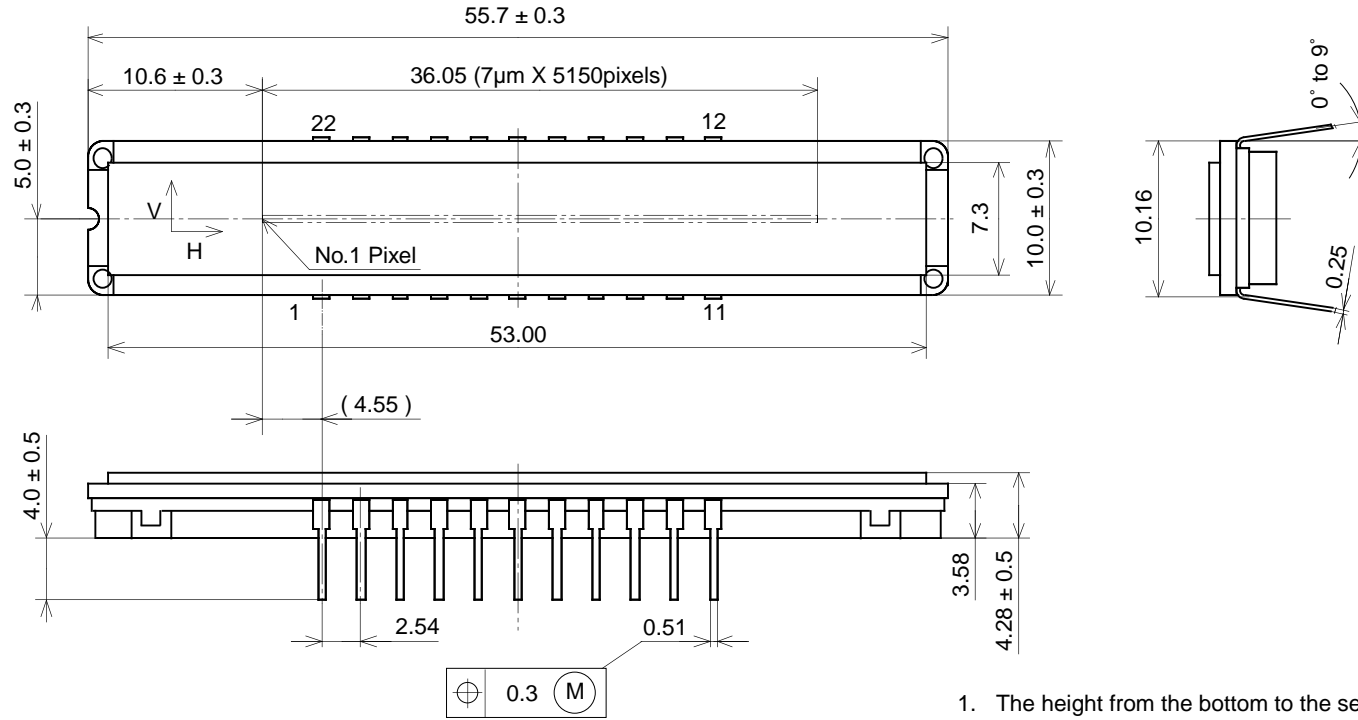
Note that the preceding notes should also be observed when removing a component from a board after it has already been soldered.

d) The notch of the plastic portion is used for directional index, and that can not be used for reference of fixing. In addition, the cover glass and seal resin may overlap with the notch or ceramic may overlap with the notch of the plastic portion.

- 3) Soldering
  - a) Make sure the package temperature does not exceed 80°C.
  - b) Solder dipping in a mounting furnace causes damage to the glass and other defects. Use a 30W soldering iron with a ground wire and solder each pin in less than 2 seconds. For repairs and remount, cool sufficiently.
  - c) To dismount an imaging device, do not use a solder suction equipment. When using an electric desoldering tool, ground the controller. For the control system, use a zero cross type.
  
- 4) Dust and dirt protection
  - a) Operate in clean environments.
  - b) Do not either touch glass plates by hand or have any object come in contact with glass surfaces. Should dirt stick to a glass surface, blow it off with an air blower. (For dirt stuck through static electricity ionized air is recommended.)
  - c) Clean with a cotton bud and ethyl alcohol if the glass surface is grease stained. Be careful not to scratch the glass.
  - d) Keep in a case to protect from dust and dirt. To prevent dew condensation, preheat or precool when moving to a room with great temperature differences.
  
- 5) Exposure to high temperatures or humidity will affect the characteristics. Accordingly avoid storage or usage in such conditions.
  
- 6) CCD image sensors are precise optical equipment that should not be subject to mechanical shocks.

Package Outline Unit: mm

22 pin DIP (400mil)



1. The height from the bottom to the sensor surface is  $2.38 \pm 0.3$ mm.
2. The thickness of the cover glass is  $0.7$ mm, and the refractive index is  $1.5$ .

PACKAGE STRUCTURE

PACKAGE MATERIAL	Plastic, Ceramic
LEAD TREATMENT	GOLD PLATING
LEAD MATERIAL	42 ALLOY
PACKAGE MASS	5.43g
DRAWING NUMBER	LS-B23-02(E)