

FEATURES AND SPECIFICATIONS

Features and Benefits

- Sizes 8 to 50 circuits
- Locating peg version standard
- Optional voided pin version and without peg version
- Contact Molex for pick-and-place cap or embossed tape

Reference Information

Product Specification: PS-87049
 Packaging: Tube (contact Molex for embossed tape)
 UL File No.: E29179
 CSA File No.: LR19980-202
 Mates With: Milli-Grid 2.00mm Receptacles
 Designed In: Millimeters

Electrical

Voltage: 125V
 Current: 2.0A
 Dielectric Withstanding Voltage: 500V
 Insulation Resistance: 1000 MΩ min.

Physical

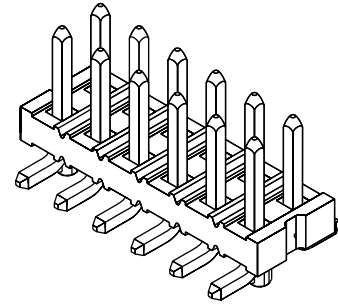
Housing: Black high-temperature nylon, UL 94V-0
 Contact: Phosphor Bronze, 0.50mm square
 Plating: See Table
 Operating Temperature: -55 to +105°C
 PCB Thickness: 1.60 ± 0.10mm

molex®

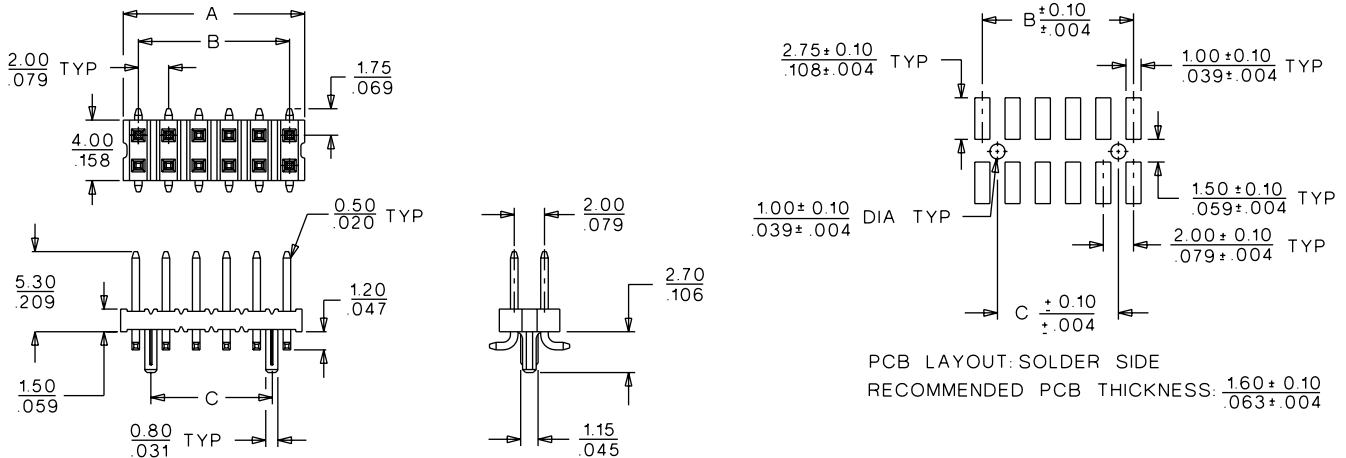
**2.00mm (.079") Pitch
 Milli-Grid™
 Header**

87267

Vertical SMT



CATALOG DRAWING (FOR REFERENCE ONLY)



ORDERING INFORMATION AND DIMENSIONS

Circuits	Order No.		Dimension	
	15μ" Select Gold	30μ" Select Gold	A	B
8	87267-0850	87267-0851	7.90 (.311)	6.00 (.236)
10	87267-1050	87267-1051	9.90 (.390)	8.00 (.315)
12	87267-1250	87267-1251	11.90 (.469)	10.00 (.394)
14	87267-1450	87267-1451	13.90 (.547)	12.00 (.472)
16	87267-1650	87267-1651	15.90 (.626)	14.00 (.551)
18	87267-1850	87267-1851	17.90 (.709)	16.00 (.630)
20	87267-2050	87267-2051	19.90 (.783)	18.00 (.709)
22	87267-2250	87267-2251	21.90 (.862)	20.00 (.787)
24	87267-2450	87267-2451	23.90 (.941)	22.00 (.866)
26	87267-2650	87267-2651	25.90 (1.020)	24.00 (.945)
28	87267-2850	87267-2851	27.90 (1.098)	26.00 (1.024)

Circuits	Order No.		Dimension	
	15μ" Select Gold	30μ" Select Gold	A	B
30	87267-3050	87267-3051	29.90 (1.177)	28.00 (1.102)
32	87267-3250	87267-3251	31.90 (1.256)	30.00 (1.181)
34	87267-3450	87267-3451	33.90 (1.335)	32.00 (1.260)
36	87267-3650	87267-3651	35.90 (1.413)	34.00 (1.339)
38	87267-3850	87267-3851	37.90 (1.492)	36.00 (1.417)
40	87267-4050	87267-4051	39.90 (1.571)	38.00 (1.496)
42	87267-4250	87267-4251	41.90 (1.650)	40.00 (1.575)
44	87267-4450	87267-4451	43.90 (1.728)	42.00 (1.654)
46	87267-4650	87267-4651	45.90 (1.807)	44.00 (1.732)
48	87267-4850	87267-4851	47.90 (1.886)	46.00 (1.811)
50	87267-5050	87267-5051	49.90 (1.965)	48.00 (1.890)