

# DATA SHEET

For a complete data sheet, please also download:

- The IC06 74HC/HCT/HCU/HCMOS Logic Family Specifications
- The IC06 74HC/HCT/HCU/HCMOS Logic Package Information
- The IC06 74HC/HCT/HCU/HCMOS Logic Package Outlines

## **74HC/HCT243**

**Quad bus transceiver; 3-state**

Product specification  
File under Integrated Circuits, IC06

December 1990

## Quad bus transceiver; 3-state

## 74HC/HCT243

## FEATURES

- Non-inverting 3-state outputs
- 2-way asynchronous data bus communication
- Output capability: bus driver
- I<sub>CC</sub> category: MSI

## GENERAL DESCRIPTION

The 74HC/HCT243 are high-speed Si-gate CMOS devices and are pin compatible with low power Schottky TTL (LSTTL). They are specified in compliance with JEDEC standard no. 7A.

The 74HC/HCT243 are quad bus transceivers featuring non-inverting 3-state bus compatible outputs in both send and receive directions.

They are designed for 4-line asynchronous 2-way data communications between data buses.

The output enable inputs ( $\overline{OE}_A$  and  $OE_B$ ) can be used to isolate the buses.

The "243" is similar to the "242" but has non-inverting (true) outputs.

## QUICK REFERENCE DATA

GND = 0 V; T<sub>amb</sub> = 25 °C; t<sub>r</sub> = t<sub>f</sub> = 6 ns

SYMBOL	PARAMETER	CONDITIONS	TYPICAL		UNIT
			HC	HCT	
t <sub>PHL</sub> /t <sub>PLH</sub>	propagation delay A <sub>n</sub> to B <sub>n</sub> ; B <sub>n</sub> to A <sub>n</sub>	C <sub>L</sub> = 15 pF; V <sub>CC</sub> = 5 V	6	11	ns
C <sub>I</sub>	input capacitance		3.5	3.5	pF
C <sub>I/O</sub>	input/output capacitance		10	10	pF
C <sub>PD</sub>	power dissipation capacitance per transceiver	notes 1 and 2	26	34	pF

## Notes

1. C<sub>PD</sub> is used to determine the dynamic power dissipation (P<sub>D</sub> in μW):

$$P_D = C_{PD} \times V_{CC}^2 \times f_i + \sum (C_L \times V_{CC}^2 \times f_o) \text{ where:}$$

f<sub>i</sub> = input frequency in MHz

f<sub>o</sub> = output frequency in MHz

$\sum (C_L \times V_{CC}^2 \times f_o)$  = sum of outputs

C<sub>L</sub> = output load capacitance in pF

V<sub>CC</sub> = supply voltage in V

2. For HC the condition is V<sub>I</sub> = GND to V<sub>CC</sub>  
For HCT the condition is V<sub>I</sub> = GND to V<sub>CC</sub> - 1.5 V

## ORDERING INFORMATION

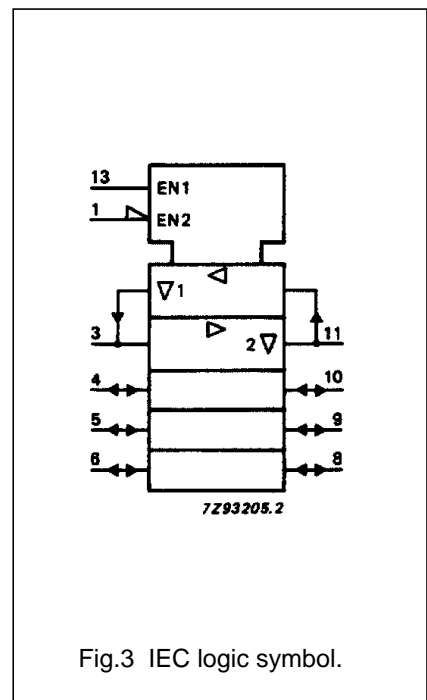
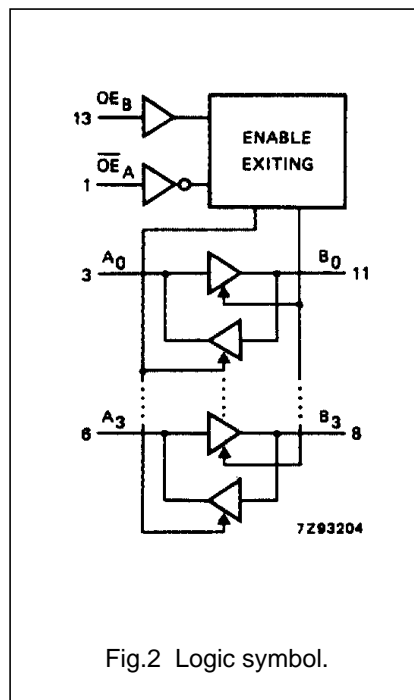
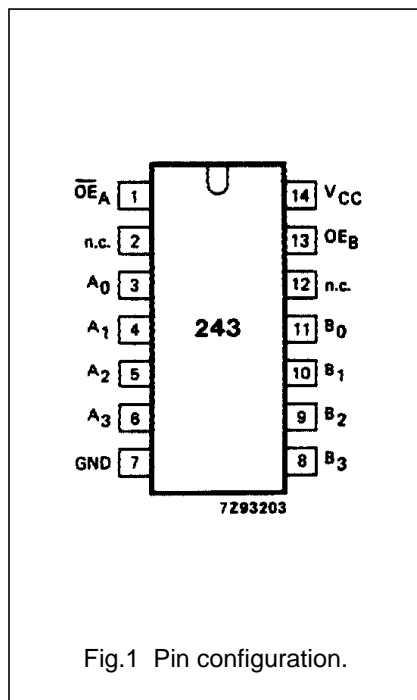
See "74HC/HCT/HCU/HCMOS Logic Package Information".

Quad bus transceiver; 3-state

74HC/HCT243

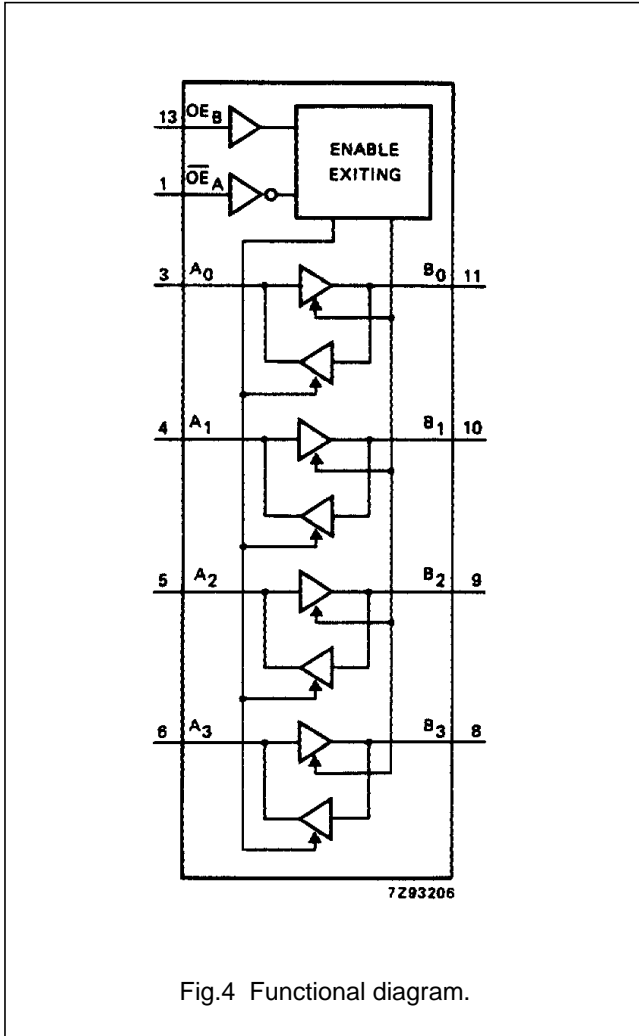
PIN DESCRIPTION

PIN NO.	SYMBOL	NAME AND FUNCTION
1	$\overline{OE}_A$	output enable input (active LOW)
2, 12	n.c.	not connected
3, 4, 5, 6	$A_0$ to $A_3$	data inputs/outputs
7	GND	ground (0 V)
11, 10, 9, 8	$B_0$ to $B_3$	data inputs/outputs
13	$OE_B$	output enable input
14	$V_{CC}$	positive supply voltage



Quad bus transceiver; 3-state

74HC/HCT243



FUNCTION TABLE

INPUTS		INPUTS/OUTPUTS	
$\overline{OE}_A$	$OE_B$	$A_n$	$B_n$
L	L	inputs	$B = A$
H	L	Z	Z
L	H	Z	Z
H	H	$A = B$	inputs

Notes

1. H = HIGH voltage level  
 L = LOW voltage level  
 Z = high impedance OFF-state

## Quad bus transceiver; 3-state

## 74HC/HCT243

**DC CHARACTERISTICS FOR 74HC**

For the DC characteristics see *"74HC/HCT/HCU/HCMOS Logic Family Specifications"*.

Output capability: bus driver

I<sub>CC</sub> category: MSI

**AC CHARACTERISTICS FOR 74HC**

GND = 0 V; t<sub>r</sub> = t<sub>f</sub> = 6 ns; C<sub>L</sub> = 50 pF

SYMBOL	PARAMETER	T <sub>amb</sub> (°C)						UNIT	TEST CONDITIONS		
		74HC							V <sub>CC</sub> (V)	WAVEFORMS	
		+25			-40 to +85		-40 to +125				
		min.	typ.	max.	min.	max.	min.				max.
t <sub>PHL</sub> / t <sub>PLH</sub>	propagation delay A <sub>n</sub> to B <sub>n</sub> ; B <sub>n</sub> to A <sub>n</sub>		22 8 6	90 18 15		115 23 20		135 27 23	ns	2.0 4.5 6.0	Fig.5
t <sub>PZH</sub> / t <sub>PZL</sub>	3-state output enable time $\overline{OE}_A$ to A <sub>n</sub> or B <sub>n</sub> ; OE <sub>B</sub> to A <sub>n</sub> or B <sub>n</sub>		50 18 14	150 30 26		190 38 33		225 45 38	ns	2.0 4.5 6.0	Figs 6 and 7
t <sub>PHZ</sub> / t <sub>PLZ</sub>	3-state output disable time $\overline{OE}_A$ to A <sub>n</sub> or B <sub>n</sub> ; OE <sub>B</sub> to A <sub>n</sub> or B <sub>n</sub>		61 22 18	165 33 28		205 41 35		250 50 43	ns	2.0 4.5 6.0	Figs 6 and 7
t <sub>THL</sub> / t <sub>TLH</sub>	output transition time		14 5 4	60 12 10		75 15 13		90 18 15	ns	2.0 4.5 6.0	Fig.5

## Quad bus transceiver; 3-state

## 74HC/HCT243

**DC CHARACTERISTICS FOR 74HCT**

For the DC characteristics see *"74HC/HCT/HCU/HCMOS Logic Family Specifications"*.

Output capability: bus driver

I<sub>CC</sub> category: MSI

**Note to HCT types**

The value of additional quiescent supply current ( $\Delta I_{CC}$ ) for a unit load of 1 is given in the family specifications. To determine  $\Delta I_{CC}$  per input, multiply this value by the unit load coefficient shown in the table below.

INPUT	UNIT LOAD COEFFICIENT
A <sub>n</sub>	1.10
B <sub>n</sub>	1.10
$\overline{OE}_A$	1.00
$\overline{OE}_B$	1.00

**AC CHARACTERISTICS FOR 74HCT**

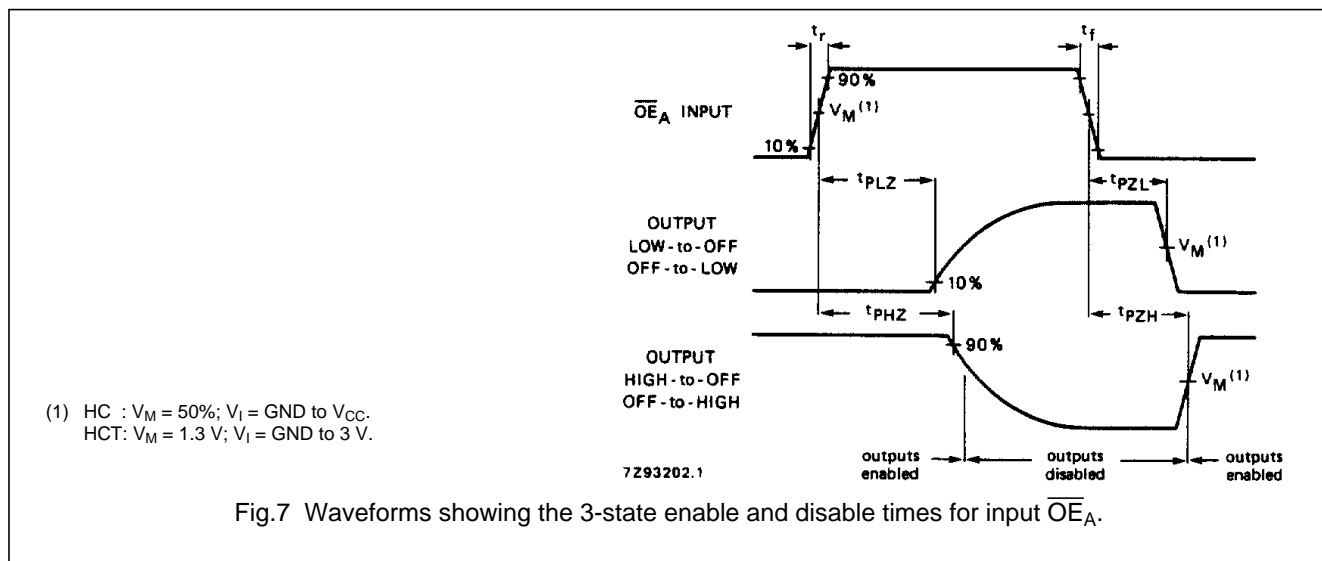
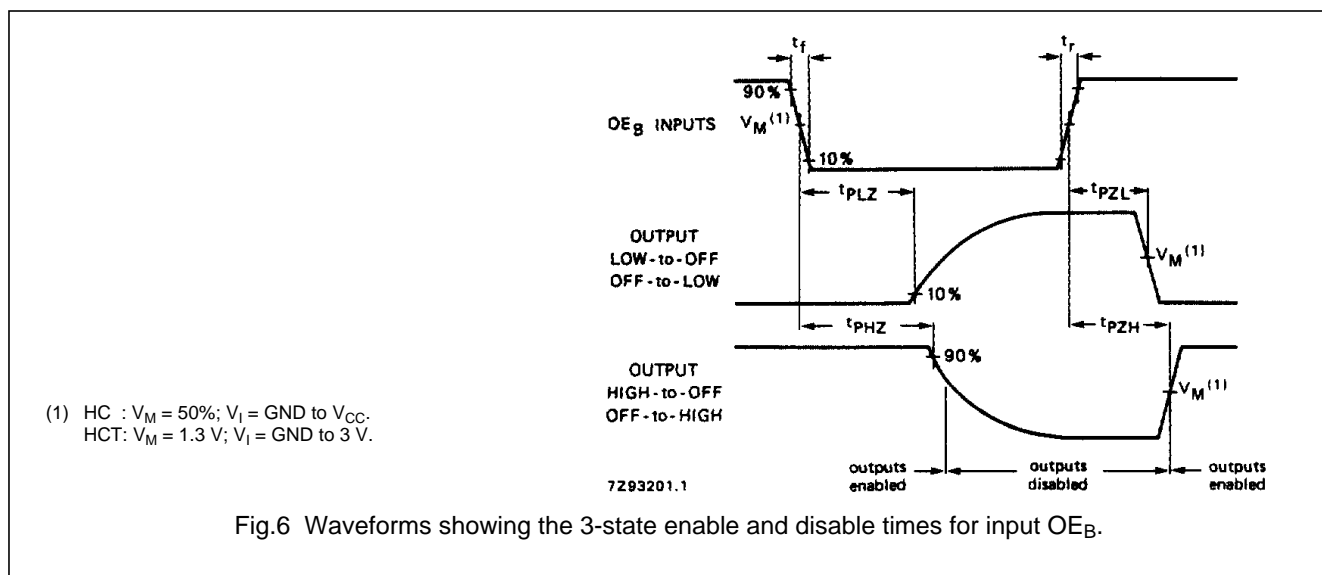
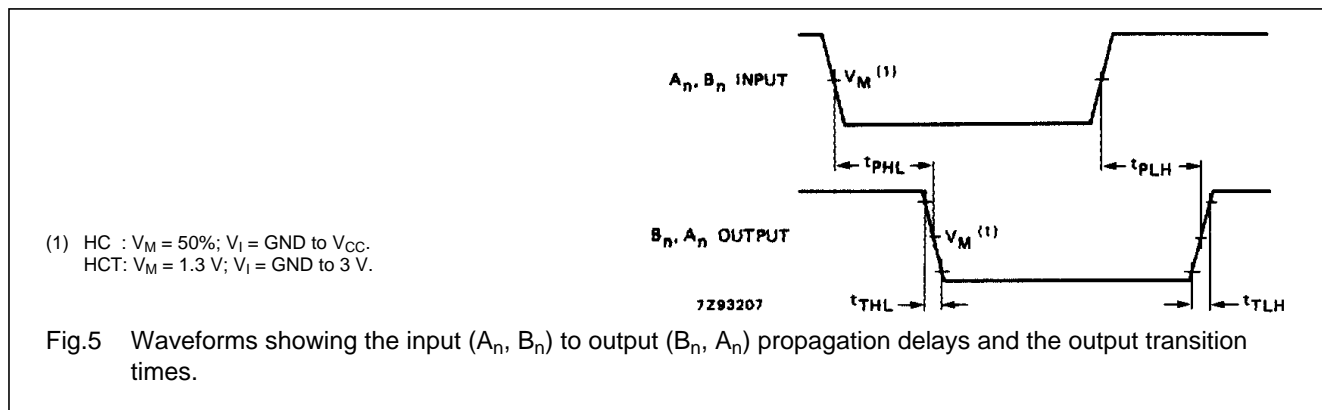
GND = 0 V; t<sub>r</sub> = t<sub>f</sub> = 6 ns; C<sub>L</sub> = 50 pF

SYMBOL	PARAMETER	T <sub>amb</sub> (°C)						UNIT	TEST CONDITIONS		
		74HCT							V <sub>CC</sub> (V)	WAVEFORMS	
		+25			-40 to +85		-40 to +125				
		min.	typ.	max.	min.	max.	min.				max.
t <sub>PHL</sub> / t <sub>PLH</sub>	propagation delay A <sub>n</sub> to B <sub>n</sub> ; B <sub>n</sub> to A <sub>n</sub>		13	22		28		33	ns	4.5	Fig.5
t <sub>PZH</sub> / t <sub>PZL</sub>	3-state output enable time $\overline{OE}_A$ to A <sub>n</sub> or B <sub>n</sub> ; $\overline{OE}_B$ to A <sub>n</sub> or B <sub>n</sub>		18	34		43		51	ns	4.5	Figs 6 and 7
t <sub>PHZ</sub> / t <sub>PLZ</sub>	3-state output disable time $\overline{OE}_A$ to A <sub>n</sub> or B <sub>n</sub> ; $\overline{OE}_B$ to A <sub>n</sub> or B <sub>n</sub>		23	35		44		53	ns	4.5	Figs 6 and 7
t <sub>THL</sub> / t <sub>TLH</sub>	output transition time		5	12		15		18	ns	4.5	Fig.5

Quad bus transceiver; 3-state

74HC/HCT243

AC WAVEFORMS



Quad bus transceiver; 3-state

74HC/HCT243

---

**PACKAGE OUTLINES**

See *"74HC/HCT/HCU/HCMOS Logic Package Outlines"*.



This datasheet has been download from:

[www.datasheetcatalog.com](http://www.datasheetcatalog.com)

Datasheets for electronics components.