



Dual-Output, Multimode CD-RW/DVD Laser-Diode Drivers

MAX9483/MAX9484

General Description

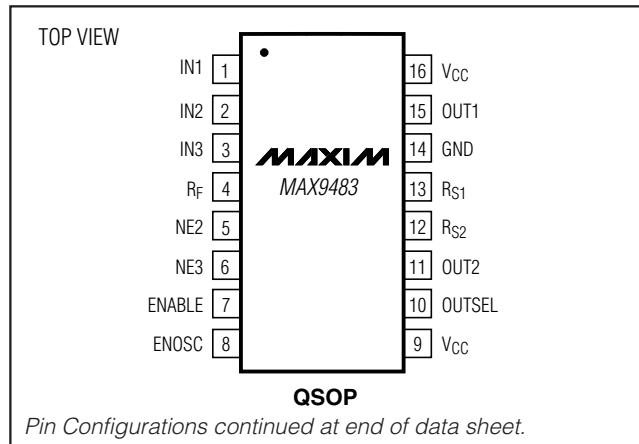
The MAX9483/MAX9484 high-performance, multimode, laser-diode drivers (LDDs) are designed for CD and DVD combination pickup heads. The drivers consist of three input channels, an RF oscillator, and two precision current-amplifier outputs to drive the CD and DVD laser diodes. The MAX9483/MAX9484 support multiple CD and DVD read/write standards, such as CD-R/RW, DVD-R, DVD+R, DVD-RW, DVD+RW, and DVD-RAM by choosing the writing control signals and input currents on these input channels. The peak total output current is 400mA with a current gain of 100 at each channel. External resistors set the oscillation frequency and output swing. The MAX9484 features an extra resistor input allowing the oscillation frequencies of the two outputs to be set separately. Additionally, the MAX9484 allows the writing control signals to be received in low-voltage differential signal (LVDS) mode or single-ended mode to provide reliable high-speed writing.

The MAX9483 is offered in 16-pin QSOP and 4mm x 4mm 16-pin thin QFN packages. The MAX9484 is offered in a 4mm x 4mm 20-pin thin QFN package. Both devices are specified for 4.5V to 5.5V supply and 0°C to +70°C temperature range.

Applications

Laser Diode Driver for CD-RW and DVD
Combos: CD-R/RW, DVD-R, DVD+R, DVD-RW,
DVD+RW, DVD-RAM
DVD Video Recorders
High-Power and High-Speed Laser-Writable
Device Drivers

Pin Configurations



Features

- ◆ Dual Output Ports with Three Controlled-Current Channels
- ◆ Support Various Laser-Diode Driver Standards
CD-R/RW, DVD-R, DVD+R, DVD-RW, DVD+RW,
DVD-RAM, and DVD Video
- ◆ MAX9483 is Pin and Function Compatible
with ATMEL T0806
- ◆ Independent Frequency Setting for the
Two Output Ports (MAX9484)
- ◆ Accepts Differential (LVDS) or Single-Ended
Inputs for Writing Data (MAX9484)
- ◆ Enable Control
- ◆ High-Current Swing Up to 270mA for the Reading
Current
- ◆ High 400mA Total Peak Writing Current
- ◆ Adjustable Modulation Frequency from 100MHz
to 600MHz
- ◆ Fast Output-Current Pulse Rise and Fall Time
1.0ns (typ)
- ◆ 4.5V to 5.5V Single-Supply Voltage
- ◆ No External Reference Clock Required
- ◆ 0°C to +70°C Commercial Temperature Range

Ordering Information

PART	TEMP RANGE	PIN-PACKAGE
MAX9483CEE	0°C to +70°C	16 QSOP
MAX9483CTE*	0°C to +70°C	16 Thin QFN
MAX9484CTP	0°C to +70°C	20 Thin QFN

*Future product—contact factory for availability.

Dual-Output, Multimode CD-RW/DVD Laser-Diode Drivers

ABSOLUTE MAXIMUM RATINGS

V _{CC} , V _{CCO_} to GND	-0.3V to +6.0V
I _{N_} , R _{F_} , R _{S_} to GND	-0.3V to (V _{CC} + 0.3V)
ENABLE, ENOSC, NE _{2_} , NE _{3_} , OUTSEL to GND	-0.3V to (V _{CC} + 0.3V)
Output Voltage at OUT1, OUT2	-0.3V to (V _{CC} - 1V)
Continuous Power Dissipation (T _A = +70°C)	
QSOP (derate 8.3mW/°C above +70°C)	667mW
TQFN (derate 16.9mW/°C above +70°C)	1349mW

Junction Temperature	+150°C
Storage Temperature Range	-65°C to +150°C
ESD Rating (Human Body Model)	≥ ±2.0kV
Lead Temperature (soldering, 10s)	+300°C

Stresses beyond those listed under "Absolute Maximum Ratings" may cause permanent damage to the device. These are stress ratings only, and functional operation of the device at these or any other conditions beyond those indicated in the operational sections of the specifications is not implied. Exposure to absolute maximum rating conditions for extended periods may affect device reliability.

DC ELECTRICAL CHARACTERISTICS

(V_{CC} = V_{CCO_} = +4.5V to +5.5V, R_L = 6.8Ω, ENABLE = high, NE₂ = NE₃ = high (MAX9483), NE_{2_} = NE_{3_} = differential high (MAX9484), ENOSC = low, T_A = 0°C to +70°C, unless otherwise noted. Typical values are at V_{CC} = V_{CCO_} = +5V, T_A = +25°C.) (Notes 1, 2, 4)

PARAMETER	SYMBOL	CONDITIONS	MIN	TYP	MAX	UNITS
POWER SUPPLY						
Write-Mode Supply Current	I _{CC1}	I _{IN1} = I _{IN2} = I _{IN3} = 500μA, NE ₂ = NE ₃ = low	MAX9483	181	200	mA
			MAX9484	182	210	
Read-Mode Supply Current	I _{CC2}	Oscillator enabled, I _{IN1} = I _{IN2} = I _{IN3} = 500μA, ENOSC = high, R _S = 8.2kΩ, R _F = 6.8kΩ	MAX9483	91	100	mA
			MAX9484	92	105	
		Oscillator disabled, I _{IN1} = I _{IN2} = I _{IN3} = 500μA	MAX9483	82	95	
			MAX9484	83	95	
Supply Current	I _{CC3}	Input disabled, I _{IN1} = I _{IN2} = I _{IN3} = 0	MAX9483	14	20	mA
			MAX9484	14	20	
Power-Down Supply Current	I _{CC4}	ENABLE = NE ₂ = NE ₃ = low, I _{IN1} = I _{IN2} = I _{IN3} = 0	MAX9483	0.96	2.0	mA
			MAX9484	1.2	2.0	
DIGITAL INPUTS FOR WRITE CHANNEL CONTROL (NE₂, NE₃) (MAX9483)						
High-Level Input Voltage	V _{IH1}		2.0			V
Low-Level Input Voltage	V _{IL1}				0.8	V
Input Current	I _{IN1}	V _{IN} = high or low	-20		+20	μA
LVDS DIGITAL INPUTS FOR WRITE CHANNEL CONTROL (NE_{2_}, NE_{3_}) (MAX9484)						
Differential Input High Threshold	V _{TH}				50	mV
Differential Input Low Threshold	V _{TL}		-50			mV
SINGLE-ENDED DIGITAL INPUTS FOR WRITE CHANNEL CONTROL (NE₂₊, NE₃₊) (MAX9484)						
Reference Voltage	V _{REF}		1.10	1.25	1.40	V
High-Level Input Voltage	V _{IH2}		V _{REF} + 300			mV
Low-Level Input Voltage	V _{IL2}				V _{REF} - 300	mV
Input Current	I _{IN2}	V _{IN} = high or low	-20		+20	μA

Dual-Output, Multimode CD-RW/DVD Laser-Diode Drivers

MAX9483/MAX9484

DC ELECTRICAL CHARACTERISTICS (continued)

($V_{CC} = V_{CCO} = +4.5V$ to $+5.5V$, $R_L = 6.8\Omega$, ENABLE = high, NE2 = NE3 = high (MAX9483), NE2_ = NE3_ = differential high (MAX9484), ENOSC = low, $T_A = 0^\circ C$ to $+70^\circ C$, unless otherwise noted. Typical values are at $V_{CC} = V_{CCO} = +5V$, $T_A = +25^\circ C$.) (Notes 1, 2, 4)

PARAMETER	SYMBOL	CONDITIONS	MIN	TYP	MAX	UNITS
DIGITAL INPUTS FOR CONTROL SIGNALS (ENABLE, OUTSEL, ENOSC)						
High-Level Input Voltage	V_{IH3}		2.0			V
Low-Level Input Voltage	V_{IL3}				0.8	V
Input Current	I_{IN3}	$V_{IN} = \text{high or low}$	-10		+10	μA
ANALOG INPUTS (IN1, IN2, IN3)						
Current Channel Input Current Range	I_{CIN}	Current flowing into IN1, IN2, or IN3	0		4.0	mA
Current Channel Input Impedance	R_{IN}	IN_+ to GND	165	200	235	Ω
OUTPUTS (OUT1 and OUT2)						
Maximum Total Output Current	I_{OUT}		320	400		mA
Maximum Output Current per Channel	I_{OUT}	Read current IN1	210	273		mA
		Write current IN2, IN3	250	347		
Best-Fit Current Gain	A_I	Any channel (Note 3)		100		I
Best-Fit Current Offset	I_{OFFSET}	Any channel (Note 3)	-4		+4	mA
Output Current Linearity		Any channel (Note 3)	-3		+3	%
Output Off Current	I_{OFF1}	ENABLE = low		0.2	1	mA
	I_{OFF2}	NE2 = NE3 = high, $I_{IN1} = 0\mu A$, $I_{IN2} = I_{IN3} = 500\mu A$		0.22	1.5	
	I_{OFF3}	NE2 = NE3 = low, $I_{IN1} = I_{IN2} = I_{IN3} = 0\mu A$		0.14	5	
Read-Mode Output Supply Sensitivity		$I_{OUT} = 40mA$	-2		+2	%/V
Write-Mode Output Supply Sensitivity		$I_{OUT} = 80mA$	-2		+2	%/V
Read-Mode Output Temperature Sensitivity		$I_{OUT} = 40mA$		15		ppm/ $^\circ C$
Write-Mode Output Temperature Sensitivity		$I_{OUT} = 80mA$		16		ppm/ $^\circ C$
Output Noise		$I_{OUT} = 40mA$, ENOSC = low		3		nA/ \sqrt{Hz}

Dual-Output, Multimode CD-RW/DVD Laser-Diode Drivers

AC ELECTRICAL CHARACTERISTICS

($V_{CC} = V_{CCO_} = +4.5V$ to $+5.5V$, $I_{OUT} = 40mA$ (read) + $40mA$, $R_L = 6.8\Omega$, ENABLE = high, NE2 = NE3 = high (MAX9483), NE2_ = NE3_ = differential high (MAX9484), ENOSC = low, $T_A = 0^\circ C$ to $+70^\circ C$, unless otherwise noted. Typical values are at $V_{CC} = V_{CCO_} = +5V$, $T_A = +25^\circ C$.) (Notes 1, 4)

PARAMETER	SYMBOL	CONDITIONS	MIN	TYP	MAX	UNITS
OSCILLATOR						
Oscillator Frequency	f_{OSC}	$R_{F_} = 7.5k\Omega$ (Note 2), $I_{OUT} = 40mA$ (read)	255	300	350	MHz
Oscillator Temperature Coefficient		$R_{F_} = 7.5k\Omega$		10		ppm/ $^\circ C$
OUTPUT TIMING						
Write Rise Time	t_r	$I_{OUT} = 40mA$ (read) + $40mA$ (10% to 90%)		0.9	1.6	ns
Write Fall Time	t_f	$I_{OUT} = 40mA$ (read) + $40mA$ (90% to 10%)		1.0	1.6	ns
Output-Current Overshoot	OCO			5		%
Output ON Propagation Delay	t_{ON}	NE 50% high-low to I_{OUT} at 50% of final value		1.0	2.0	ns
Output OFF Propagation Delay	t_{OFF}	NE 50% low-high to I_{OUT} at 50% of final value		1.0	2.0	ns
Output Disable Time	t_{DIS}	ENABLE 50% high-low to I_{OUT} at 50% of final value at $I_{OUT} = 40mA$ (read)		60	100	ns
Output Enable Time	t_{EN}	ENABLE 50% low-high to I_{OUT} at 50% of final value at $I_{OUT} = 40mA$ (read)		60	100	ns
Oscillator Disable Time	t_{DISO}	ENOSC 50% high-low to I_{OUT} at 50% of final value at $I_{OUT} = 40mA$ (read)		4	10	ns
Oscillator Enable Time	t_{EHO}	ENOSC 50% high-low to I_{OUT} at 50% of final value at $I_{OUT} = 40mA$ (read)		25	50	ns
Channel-Select Delay	t_{ODH}	OUTSEL 50% low-high to I_{OUT} at 50% of final value measured at OUT1		2.9	10	ns
	t_{ODL}	OUTSEL 50% high-low to I_{OUT} at 50% of final value measured at OUT2		2.9	10	

Note 1: Current into a pin is defined as positive. Current out of a pin is defined as negative. All voltages are referenced to ground except V_{TH} .

Note 2: Maximum and minimum limits over temperature are guaranteed by design and characterization. Devices are production tested at $T_A = +25^\circ C$.

Note 3: Linearity of the amplifier is calculated using a best-fit method at three operating points of I_{OUT} at 20mA, 40mA, and 60mA.
 $I_{OUT} = (I_{IN} \times GAIN) + I_{OFFSET}$.

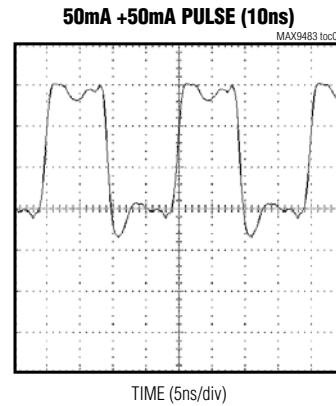
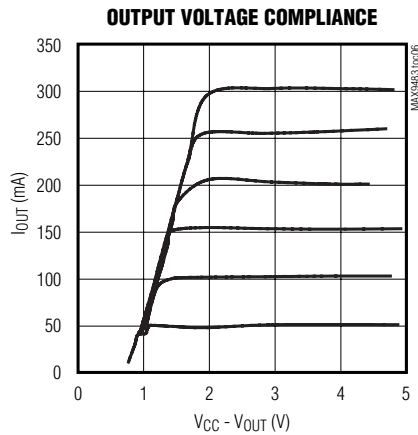
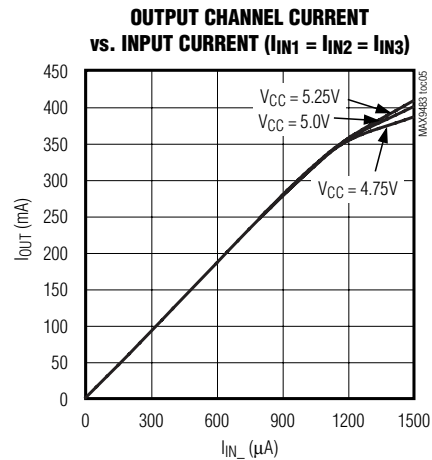
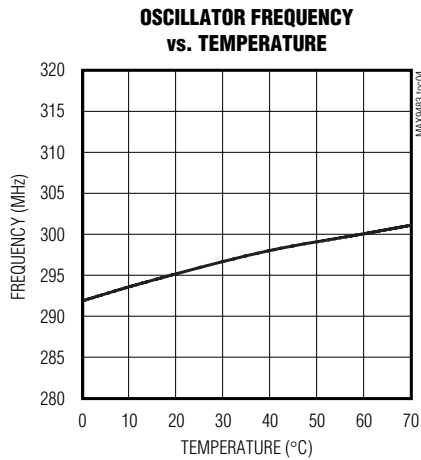
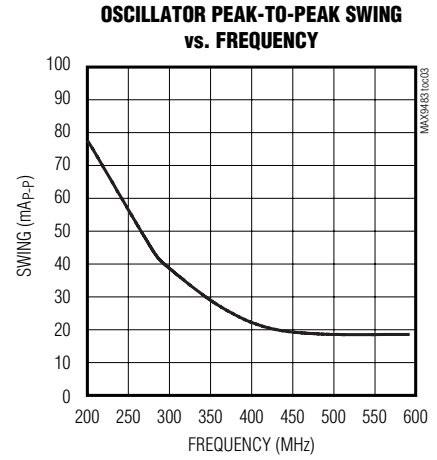
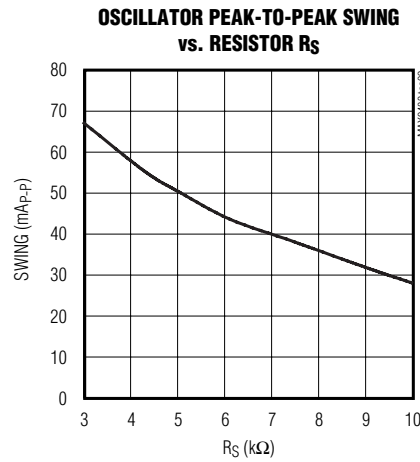
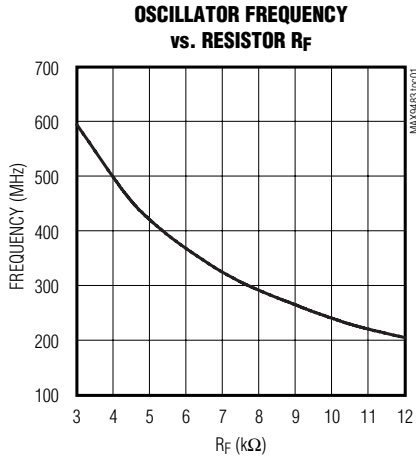
Note 4: Guaranteed by design and characterization. Limit set at ± 6 sigma.

Dual-Output, Multimode CD-RW/DVD Laser-Diode Drivers

Typical Operating Characteristics

($V_{CC} = V_{CC_} = +5V$, $T_A = +25^\circ C$, unless otherwise noted.)

MAX9483/MAX9484



Dual-Output, Multimode CD-RW/DVD Laser-Diode Drivers

Pin Description

MAX9483/MAX9484

PIN			NAME	FUNCTION
MAX9483		MAX9484		
QSOP	TQFN	TQFN		
1	15	18	IN1	Channel 1 Input Current (Read Channel)
2	16	19	IN2	Channel 2 Input Current (Write Channel)
3	1	20	IN3	Channel 3 Input Current (Write Channel)
4	2	—	R _F	Oscillator Frequency-Setting Resistor. Connect an external resistor to GND to set the frequency of the oscillator for both outputs OUT1 and OUT2.
5	3	—	NE2	Channel 2 Active-Low Digital Control Input
6	4	—	NE3	Channel 3 Active-Low Digital Control Input
7	5	8	ENABLE	LVTTTL Output-Current Enable
8	6	9	ENOSC	LVTTTL Oscillator Enable
9, 16	14	17	V _{CC}	+5V Power Supply. Bypass to GND with 0.1μF and 0.01μF capacitors with the 0.01μF capacitor as close to the pin as possible.
10	8	11	OUTSEL	LVTTTL Output Select. Drive high to select output 1; pull low to select output 2.
11	9	12	OUT2	Output Current 2
12	10	13	R _{S2}	Output 2 Oscillator Current Swing-Setting Resistor. Connect an external resistor to GND to set the swing current of output port 2.
13	11	14	R _{S1}	Output 1 Oscillator Current Swing-Setting Resistor. Connect an external resistor to GND to set the swing current of output port 1.
14	—	—	GND	Ground
15	12	15	OUT1	Output Current 1
—	—	1	R _{F1}	Output 1 Oscillator Frequency-Setting Resistor. Connect an external resistor to GND to set the frequency of the oscillator for OUT1.
—	—	2	R _{F2}	Output 2 Oscillator Frequency-Setting Resistor. Connect an external resistor to GND to set the frequency of the oscillator for OUT2.
—	—	3	NE2+	Noninverting Channel 2 LVDS or Single-Ended Digital Control Input
—	—	4	NE2-	Inverting Channel 2 LVDS or Reference for Single-Ended Digital Control Input
—	—	6	NE3+	Noninverting Channel 3 LVDS or Single-Ended Control Digital Input
—	—	7	NE3-	Inverting Channel 3 LVDS or Reference for Single-Ended Control Digital Input
—	7	10	V _{CCO2}	+5V Power Supply for Output 2. Bypass to GND with 0.1μF and 0.01μF capacitors with the 0.01μF capacitor as close to pin as possible.
—	13	16	V _{CCO1}	+5V Power Supply for Output 2. Bypass to GND with 0.1μF and 0.01μF capacitors with the 0.01μF capacitor as close to the pin as possible.
—	—	5	REF	Reference Voltage for Single-Ended Input. Connect a 0.1μF decoupling capacitor to ground.
—	EP	EP	EP	Exposed Pad. Connect to ground.

Dual-Output, Multimode CD-RW/DVD Laser-Diode Drivers

MAX9483/MAX9484

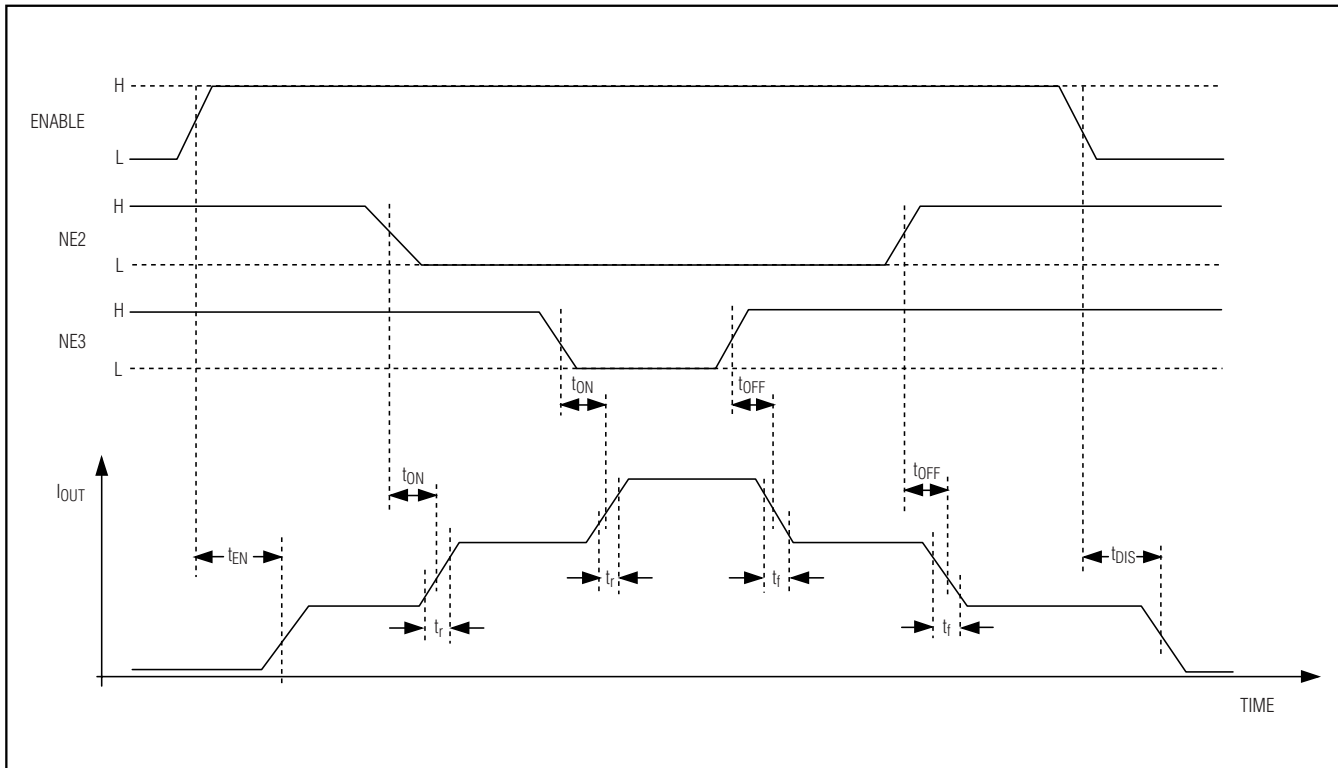


Figure 1. Timing Diagram of Output vs. Control Signals

Detailed Description

Read Channel and Write Channels

The MAX9483/MAX9484 high-performance multimode LDDs are designed for CD and DVD combination pick-up heads. The drivers have three current channels. Each channel has a current input $IN_{_}$ ($_ = 1, 2, \text{ or } 3$) and a channel control signal (ENABLE, NE2, or NE3). IN_1 supplies the reference for the read channel, which provides the read current or the offset current to the lasers. The other two channels are the write channels. The currents of these two channels are superimposed on the read current that serves as the offset current for the laser in write mode. The offset current significantly reduces the laser output ramp-up time. When ENABLE is low, all three channels are disabled. Driving ENABLE high enables the read channel and leaves the other two write channels to be controlled by NE2 and NE3 (see Figure 1). By selecting the input currents at IN_2 and

IN_3 , as well as the signal timing of NE2 and NE3, the drivers can generate various current waveforms for different CD/DVD writing standards. All three channels have a current gain of 100. The maximum total current each output can provide is 400mA.

RF Oscillator

To reduce the laser-mode hopping noise in read mode, modulate the read current with an oscillator with a 100MHz to 600MHz frequency. An external resistor, R_F , determines the oscillator frequency selection. For the MAX9484, two external resistors, R_{F1} and R_{F2} , are used to select the oscillator frequency for CD and DVD lasers separately. The swing amplitude of the oscillator current is set by two external resistors, R_{S1} and R_{S2} , one for CD and one for DVD. The oscillator is enabled when both ENABLE and ENOSC are driven high.

Dual-Output, Multimode CD-RW/DVD Laser-Diode Drivers

Applications Information

LVDS Inputs for MAX9484

The MAX9484 input control signals, NE2_ and NE3_, are compatible with LVDS or single-ended inputs. The LVDS inputs allow the driver to handle higher data writing rates. When using single-ended input signals, such as LVTTTL or SSTL_2, connect NE2- and NE3- to REF.

Laser Safety and IEC 825

Using the MAX9483/MAX9484 laser drivers alone does not ensure that a transmitter design is compliant with IEC 825. The entire transmitter circuit and component selections must be considered. Customers must determine the level of fault tolerance required by their application. Note that Maxim products are not designed or authorized for use as components in systems intended for surgical implantation into the body, for applications intended to support or sustain life, or for any other application where the failure of a Maxim product could create a situation where personal injury or death may occur.

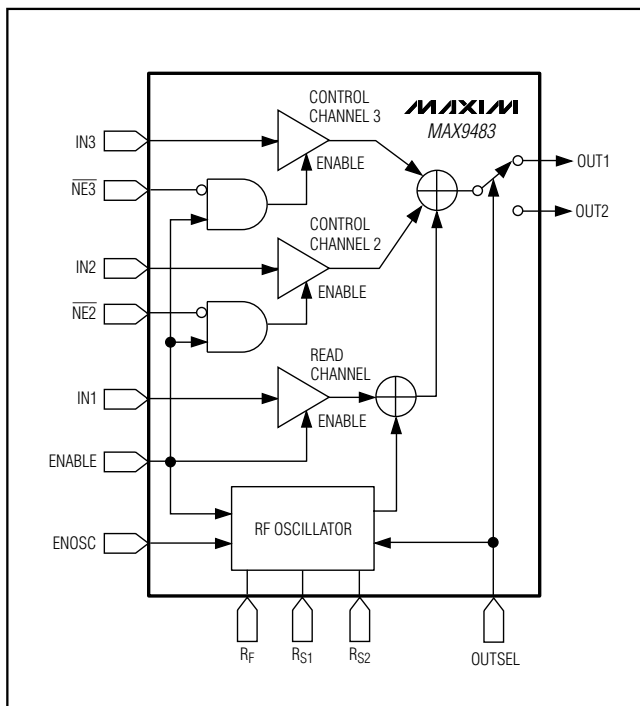


Figure 2. MAX9483 Functional Diagram

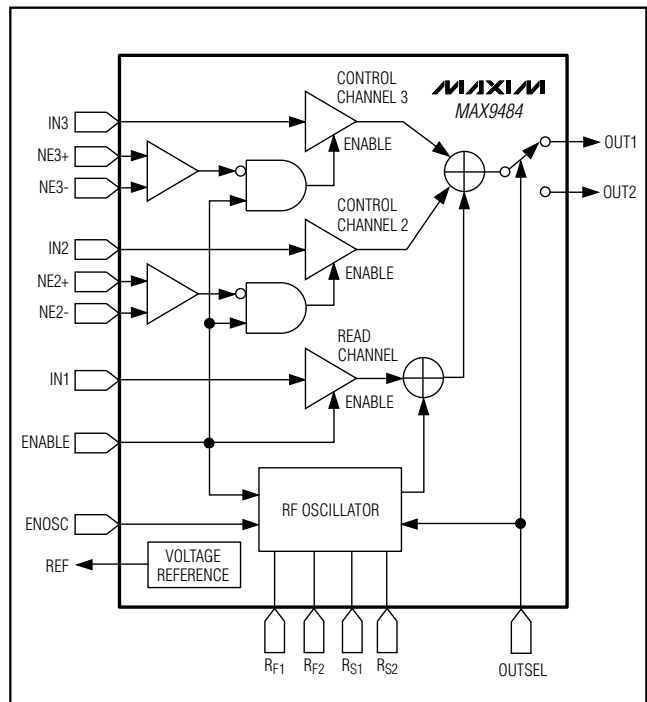


Figure 3. MAX9484 Functional Diagram

Dual-Output, Multimode CD-RW/DVD Laser-Diode Drivers

MAX9483/MAX9484

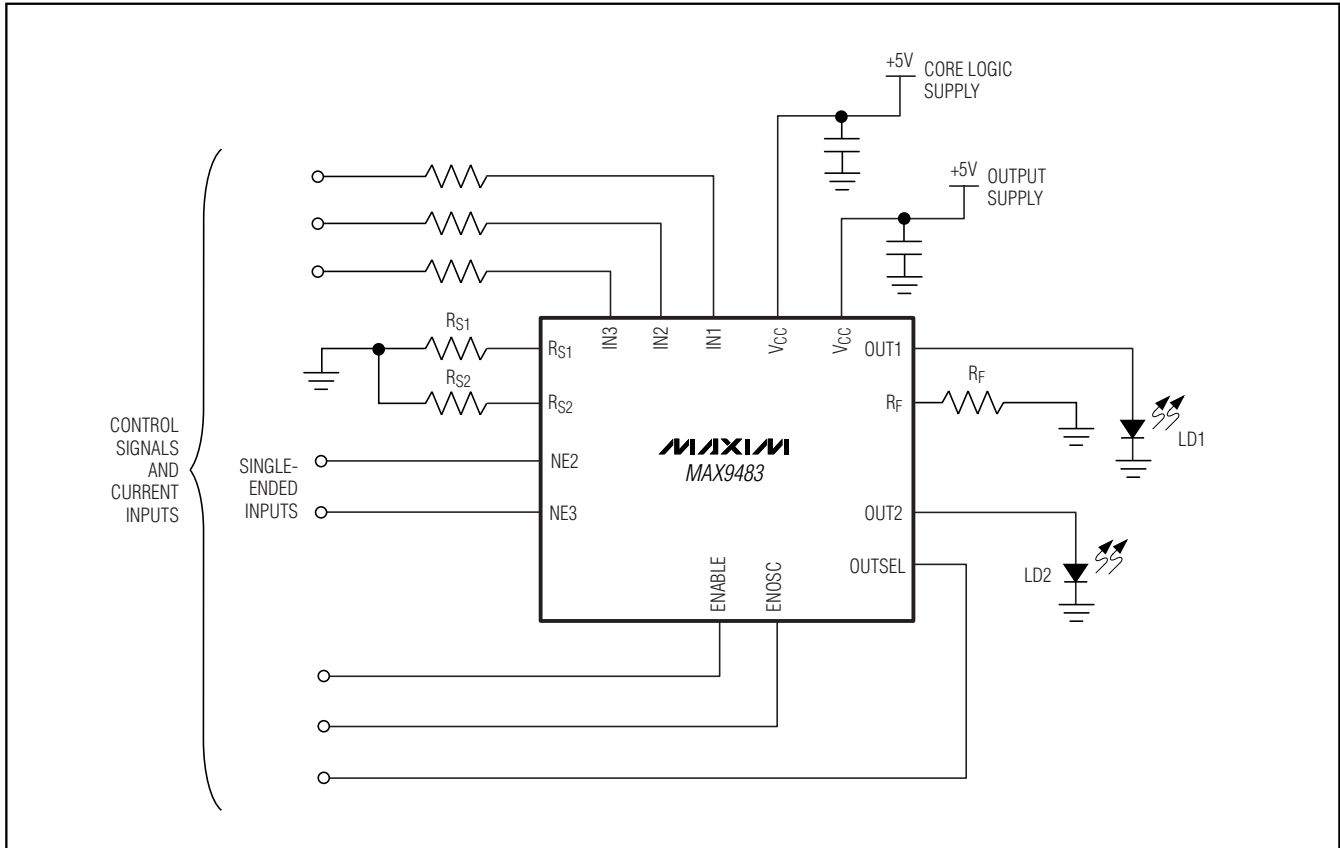


Figure 4. MAX9483 Typical Operating Circuit

Dual-Output, Multimode CD-RW/DVD Laser-Diode Drivers

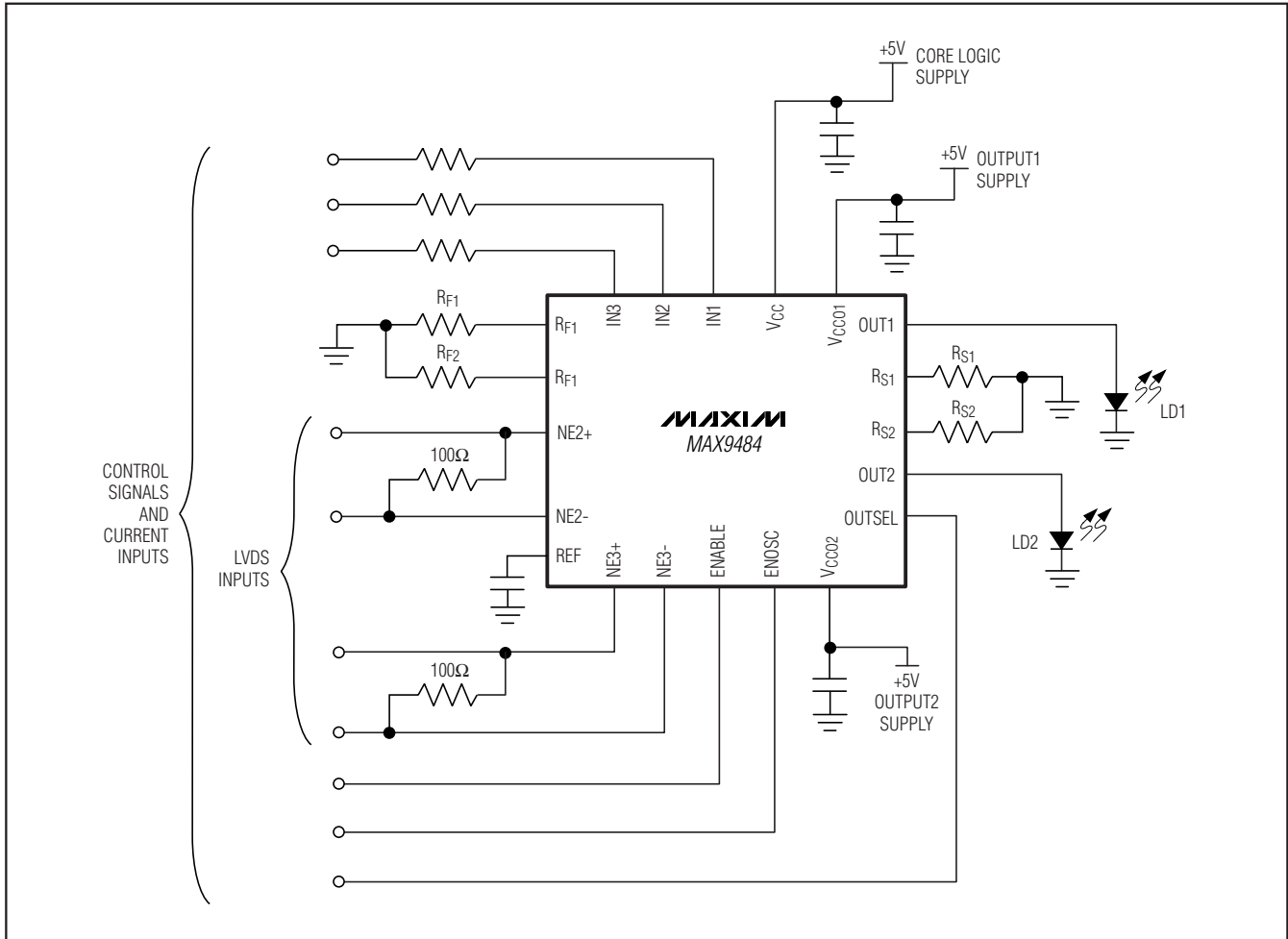


Figure 5. MAX9484 Typical Operating Circuit with LVDS Inputs

Dual-Output, Multimode CD-RW/DVD Laser-Diode Drivers

MAX9483/MAX9484

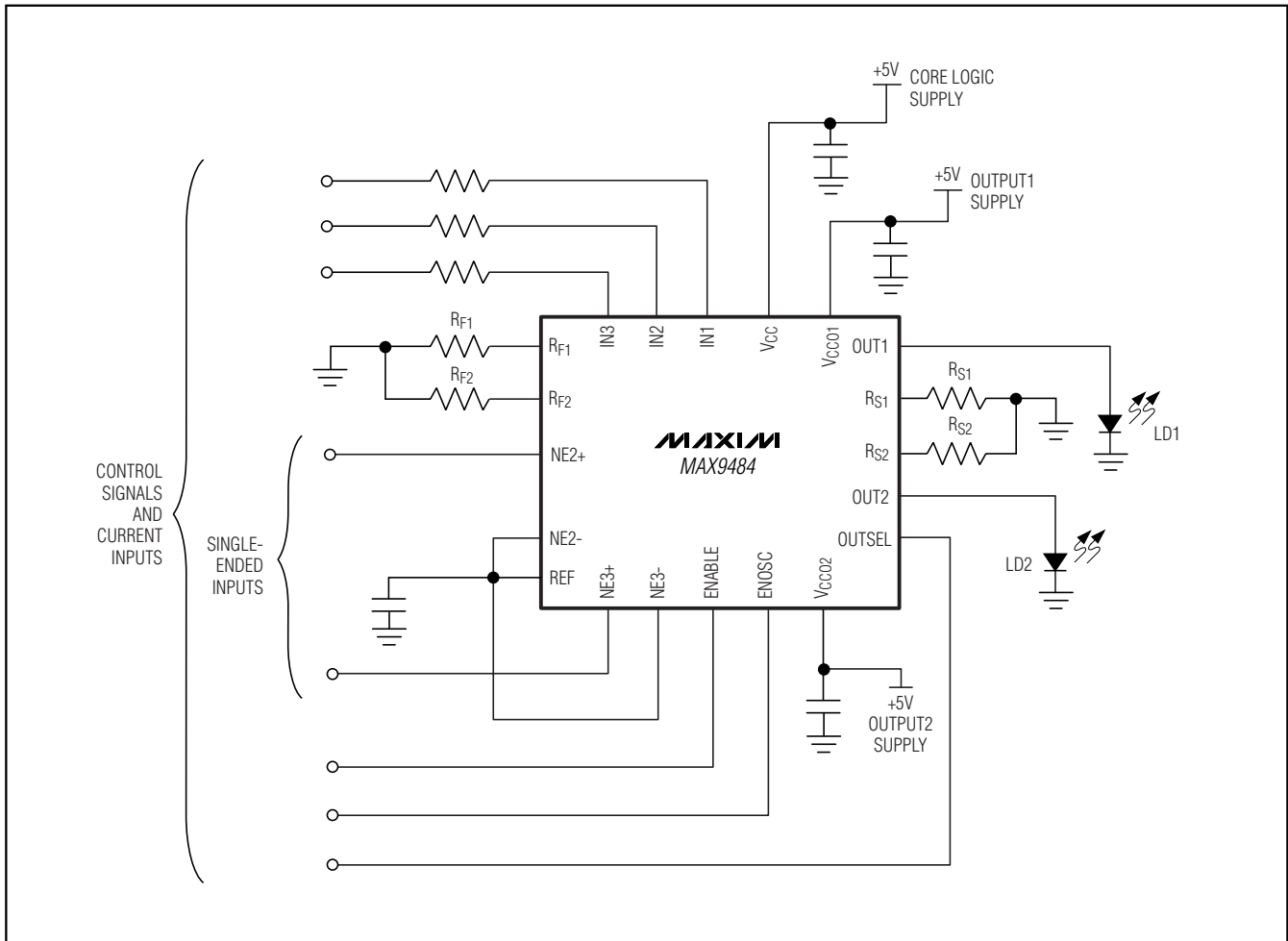
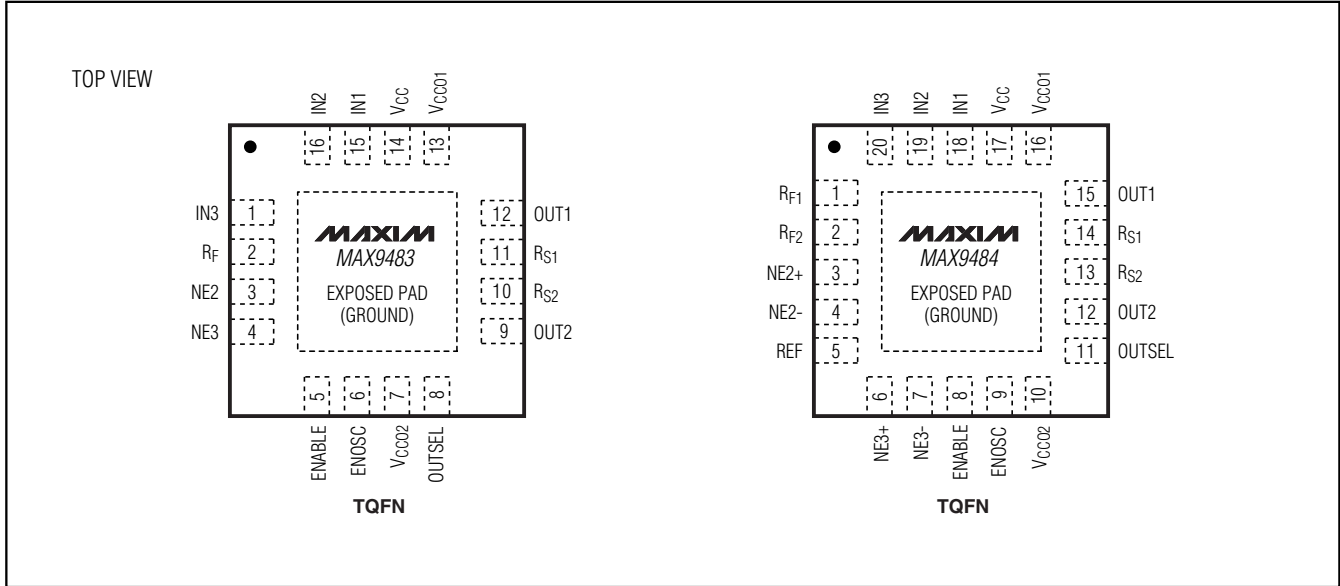


Figure 6. MAX9484 Typical Operation Circuit with Single-Ended Inputs

Dual-Output, Multimode CD-RW/DVD Laser-Diode Drivers

Pin Configurations (continued)



Chip Information

TRANSISTOR COUNT: 1399

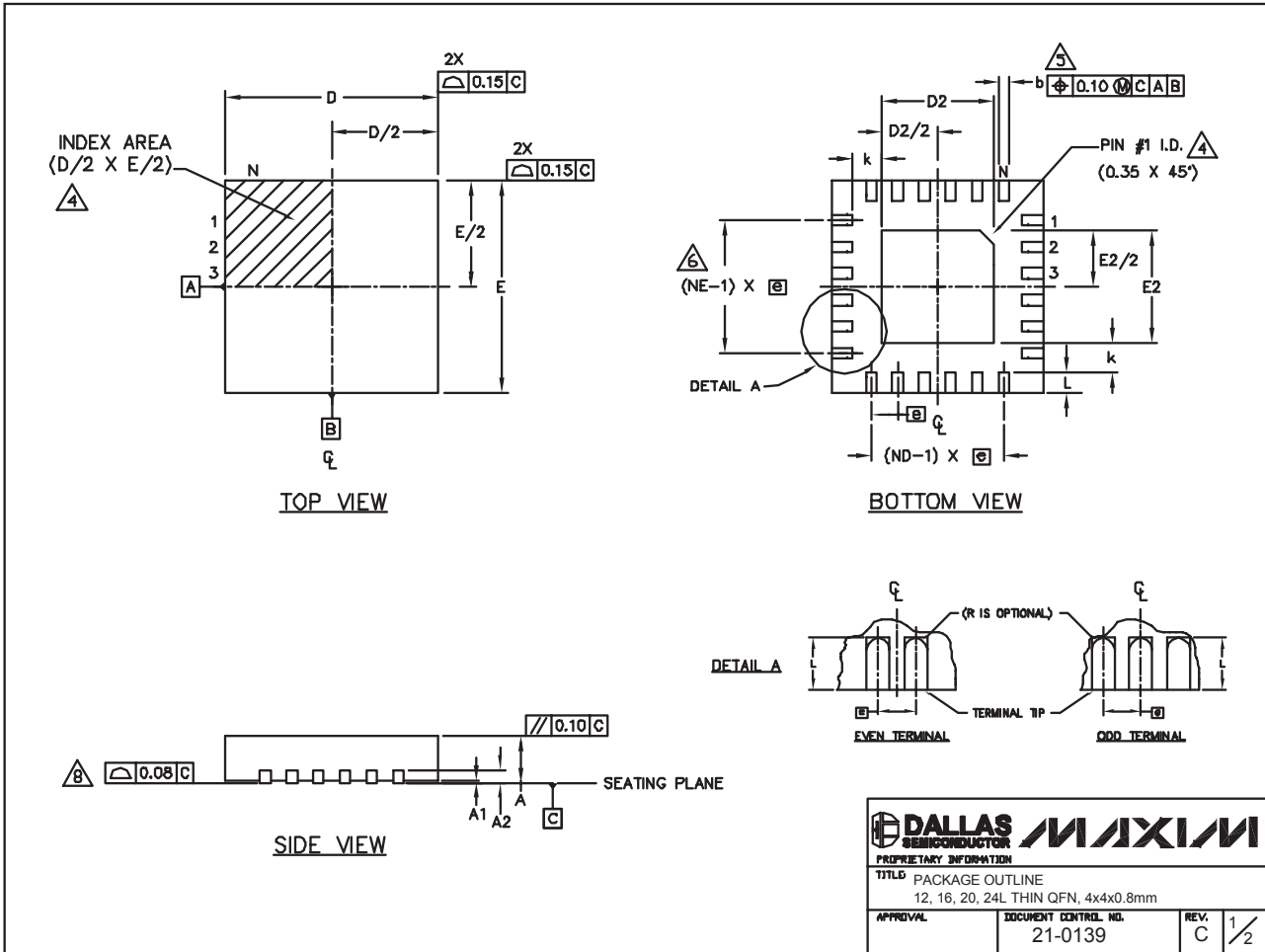
Dual-Output, Multimode CD-RW/DVD Laser-Diode Drivers

Package Information

(The package drawing(s) in this data sheet may not reflect the most current specifications. For the latest package outline information, go to www.maxim-ic.com/packages.)

MAX9483/MAX9484

24L QFN THIN EPS



Dual-Output, Multimode CD-RW/DVD Laser-Diode Drivers

Package Information (continued)

(The package drawing(s) in this data sheet may not reflect the most current specifications. For the latest package outline information, go to www.maxim-ic.com/packages.)

COMMON DIMENSIONS												
PKG	12L 4x4			16L 4x4			20L 4x4			24L 4x4		
REF.	MIN.	NOM.	MAX.	MIN.	NOM.	MAX.	MIN.	NOM.	MAX.	MIN.	NOM.	MAX.
A	0.70	0.75	0.80	0.70	0.75	0.80	0.70	0.75	0.80	0.70	0.75	0.80
AL	0.0	0.02	0.05	0.0	0.02	0.05	0.0	0.02	0.05	0.0	0.02	0.05
A2	0.20 REF			0.20 REF			0.20 REF			0.20 REF		
b	0.25	0.30	0.35	0.25	0.30	0.35	0.20	0.25	0.30	0.18	0.23	0.30
D	3.90	4.00	4.10	3.90	4.00	4.10	3.90	4.00	4.10	3.90	4.00	4.10
E	3.90	4.00	4.10	3.90	4.00	4.10	3.90	4.00	4.10	3.90	4.00	4.10
e	0.60 BSC.			0.65 BSC.			0.50 BSC.			0.50 BSC.		
k	0.25	-	-	0.25	-	-	0.25	-	-	0.25	-	-
L	0.45	0.55	0.65	0.45	0.55	0.65	0.45	0.55	0.65	0.30	0.40	0.50
N	12			16			20			24		
ND	3			4			5			6		
NE	3			4			5			6		
Jedec Var.	WGGB			WGGC			WGGD-1			WGGD-2		

EXPOSED PAD VARIATIONS							
PKG CODES	D2			E2			DOWN BONDS ALLOWED
	MIN.	NOM.	MAX.	MIN.	NOM.	MAX.	
T1244-2	1.95	2.10	2.25	1.95	2.10	2.25	NO
T1244-3	1.95	2.10	2.25	1.95	2.10	2.25	YES
T1244-4	1.95	2.10	2.25	1.95	2.10	2.25	NO
T1644-2	1.95	2.10	2.25	1.95	2.10	2.25	NO
T1644-3	1.95	2.10	2.25	1.95	2.10	2.25	YES
T1644-4	1.95	2.10	2.25	1.95	2.10	2.25	NO
T2044-1	1.95	2.10	2.25	1.95	2.10	2.25	NO
T2044-2	1.95	2.10	2.25	1.95	2.10	2.25	YES
T2044-3	1.95	2.10	2.25	1.95	2.10	2.25	NO
T2444-1	2.45	2.60	2.63	2.45	2.60	2.63	NO
T2444-2	1.95	2.10	2.25	1.95	2.10	2.25	YES
T2444-3	2.45	2.60	2.63	2.45	2.60	2.63	YES
T2444-4	2.45	2.60	2.63	2.45	2.60	2.63	NO

NOTES:

- DIMENSIONING & TOLERANCING CONFORM TO ASME Y14.5M-1994.
- ALL DIMENSIONS ARE IN MILLIMETERS. ANGLES ARE IN DEGREES.
- N IS THE TOTAL NUMBER OF TERMINALS.
- THE TERMINAL #1 IDENTIFIER AND TERMINAL NUMBERING CONVENTION SHALL CONFORM TO JESD 95-1 SPP-012. DETAILS OF TERMINAL #1 IDENTIFIER ARE OPTIONAL, BUT MUST BE LOCATED WITHIN THE ZONE INDICATED. THE TERMINAL #1 IDENTIFIER MAY BE EITHER A MOLD OR MARKED FEATURE.
- DIMENSION b APPLIES TO METALLIZED TERMINAL AND IS MEASURED BETWEEN 0.25 mm AND 0.30 mm FROM TERMINAL TIP.
- ND AND NE REFER TO THE NUMBER OF TERMINALS ON EACH D AND E SIDE RESPECTIVELY.
- DEPOPULATION IS POSSIBLE IN A SYMMETRICAL FASHION.
- COPLANARITY APPLIES TO THE EXPOSED HEAT SINK SLUG AS WELL AS THE TERMINALS.
- DRAWING CONFORMS TO JEDEC MO220, EXCEPT FOR T2444-1, T2444-3 AND T2444-4.

PROPRIETARY INFORMATION TITLE PACKAGE OUTLINE 12, 16, 20, 24L THIN QFN, 4x4x0.8mm	
APPROVAL	DOCUMENT CONTROL NO. 21-0139
REV.	C 2/2

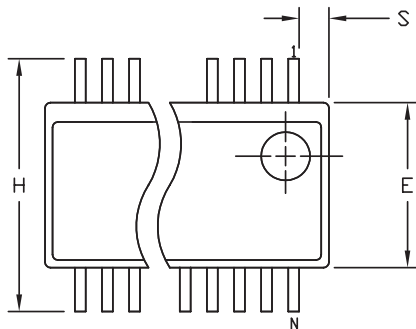
Dual-Output, Multimode CD-RW/DVD Laser-Diode Drivers

Package Information (continued)

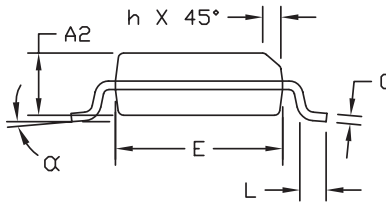
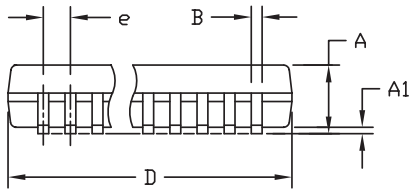
(The package drawing(s) in this data sheet may not reflect the most current specifications. For the latest package outline information, go to www.maxim-ic.com/packages.)

MAX9483/MAX9484

QSOP.EPS



DIM	INCHES		MILLIMETERS	
	MIN	MAX	MIN	MAX
A	.061	.068	1.55	1.73
A1	.004	.0098	0.102	0.249
A2	.055	.061	1.40	1.55
B	.008	.012	0.20	0.30
C	.0075	.0098	0.191	0.249
D	SEE VARIATIONS			
E	.150	.157	3.81	3.99
e	.025 BSC		0.635 BSC	
H	.230	.244	5.84	6.20
h	.010	.016	0.25	0.41
L	.016	.035	0.41	0.89
N	SEE VARIATIONS			
α	0°	8°	0°	8°



VARIATIONS:

	INCHES		MILLIMETERS		N
	MIN.	MAX.	MIN.	MAX.	
D	.189	.196	4.80	4.98	16 AB
S	.0020	.0070	0.05	0.18	
D	.337	.344	8.56	8.74	20 AD
S	.0500	.0550	1.270	1.397	
D	.337	.344	8.56	8.74	24 AE
S	.0250	.0300	0.635	0.762	
D	.386	.393	9.80	9.98	28 AF
S	.0250	.0300	0.635	0.762	

NOTES:

- 1). D & E DO NOT INCLUDE MOLD FLASH OR PROTRUSIONS.
- 2). MOLD FLASH OR PROTRUSIONS NOT TO EXCEED .006" PER SIDE.
- 3). CONTROLLING DIMENSIONS: INCHES.
- 4). MEETS JEDEC MO137.

<small>PROPRIETARY INFORMATION</small>			
<small>TITLE:</small> PACKAGE OUTLINE, QSOP .150", .025" LEAD PITCH			
<small>APPROVAL</small>	<small>DOCUMENT CONTROL NO.</small> 21-0055	<small>REV.</small> E	<small>1/1</small>

Maxim cannot assume responsibility for use of any circuitry other than circuitry entirely embodied in a Maxim product. No circuit patent licenses are implied. Maxim reserves the right to change the circuitry and specifications without notice at any time.

Maxim Integrated Products, 120 San Gabriel Drive, Sunnyvale, CA 94086 408-737-7600 _____ 15