



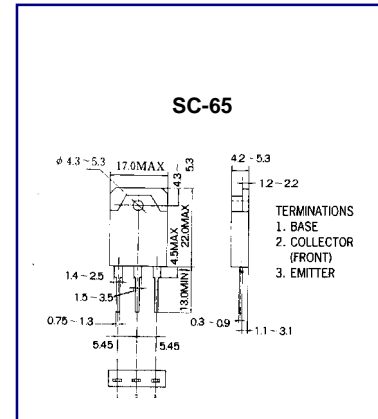
**2SD1092**

**NPN SILICON DARLINGTON TRANSISTOR**

**SWITCHING REGULATORS PWM INVERTERS  
SOLENOID AND RELAY DRIVERS**

**ABSOLUTE MAXIMUM RATINGS (T<sub>A</sub>=25°C)**

Characteristic	Symbol	Rating	Unit
Collector-Base Voltage	VCBO	45	V
Collector-Emitter Voltage	VCEO	45	V
Collector Current (DC)	Ic	4	A
Collector Dissipation (T <sub>c</sub> =25°C)	Pc	80	W
Junction Temperature	T <sub>j</sub>	150	°C
Storage Temperature	T <sub>stg</sub>	-50~150	°C



**ELECTRICAL CHARACTERISTICS (T<sub>A</sub>=25°C)**

Characteristic	Symbol	Test Condition	Min	Typ	Max	Unit
Collector Cutoff Current	ICBO	V <sub>CB</sub> = 45V , I <sub>E</sub> =0			10	μA
Collector Cutoff Current	ICEO	V <sub>CB</sub> = 45V , I <sub>B</sub> =0			10	μA
DC Current Gain	hFE	V <sub>CE</sub> = 5V , I <sub>C</sub> =0.5A	2000		12000	
Collector- Emitter Saturation Voltage	V <sub>CE(sat)</sub>	I <sub>C</sub> =0.5A , I <sub>B</sub> =0.002A			2.0	V

This datasheet has been download from:

[www.datasheetcatalog.com](http://www.datasheetcatalog.com)

Datasheets for electronics components.