

SLOTTED PHOTOINTERRUPTER

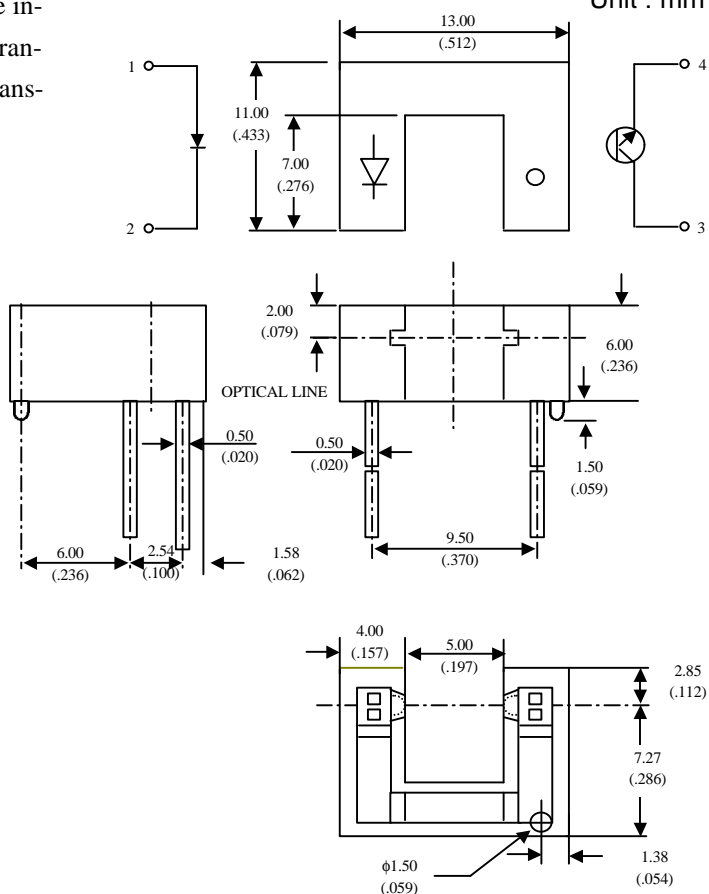
MIT-5A11J

Description

The MIT-5A11J consists of a Gallium Arsenide infrared emitting diode and a NPN silicon phototransistor built in a black plastic housing. It is a transmissive subminiature photointerrupter.

Package Dimensions

Unit : mm (inches)



Features

- Non-contact switching
- For direct pc board
- Dual in-line socket mounting
- Fast switching speed
- Choice of mounting configuration.

NOTE

1. Tolerance is ± 0.25 mm (.010") unless otherwise noted.

Absolute Maximum Ratings

@ $T_A = 25^\circ\text{C}$

Parameter		Symbol	Maximum Rating	Unit
INPUT	Continuous Forward Current	I_F	50	mA
	Reverse Voltage	V_R	5	V
	Power Dissipation	P_{ad}	75	mW
OUTPUT	Collector-emitter breakdown voltage	$V_{(BR)CEO}$	30	V
	Emitter-Collector breakdown voltage	$V_{(BR)ECO}$	5	V
	Collector power dissipation	P_C	75	mW
Total power dissipation		P_{TOT}	100	mW
Operating Temperature Range		T_{opr}	-25°C to $+85^\circ\text{C}$	
Storage Temperature Range		T_{stg}	-40°C to $+100^\circ\text{C}$	

UNI

Unity Opto Technology Co., Ltd.

04/01/2002

Optical-Electrical Characteristics

@T_A =25°C

Parameter		symbol	Min.	Typ.	Max.	Unit.	Test Conditions
Input	Forward Voltage	V _F		1.2	1.4	V	I _F =20mA
	Reverse Current	I _R			10	μA	V _R =5V
Output	Collector Dark Current	I _{ceo}			100	nA	V _{ce} =10V
	Collector Emitter Saturation Voltage	V _{CE(SAT)}			0.4	V	I _c =0.1mA, E _e =0.1mW/cm ²
Transfer Characteristics	Collector Current	I _c (on)	1		10	mA	I _F =20mA, V _{ce} =5V
	Response Time (RISE)	t _r		20	100	μS	I _c =100μA, V _{ce} =5V
	Response Time (FALL)	t _f		20	100	μS	R _L =1k, d =1mm

Typical Optical-Electrical Characteristic Curves

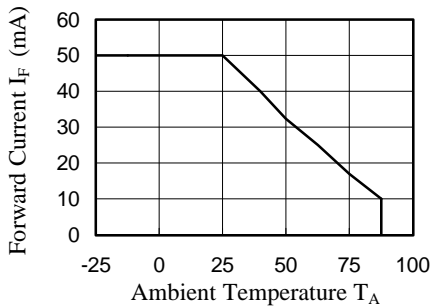


Fig.1 forward Current vs. Ambient Temperature

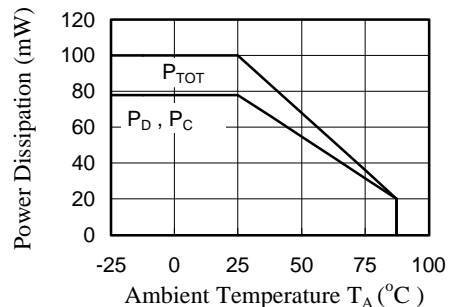


Fig.2 Power Dissipation vs Ambient Temperature

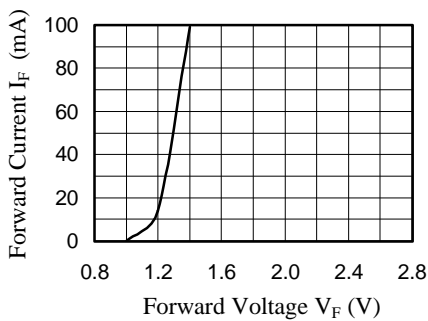


Fig.3 Forward Current vs Forward Voltage

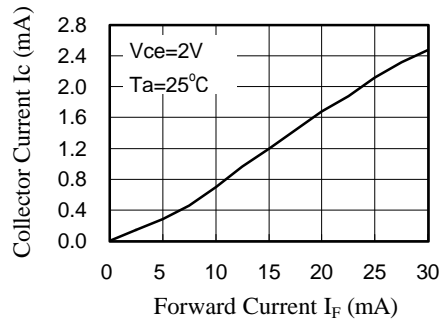


Fig.4 Collector Current vs Forward Current

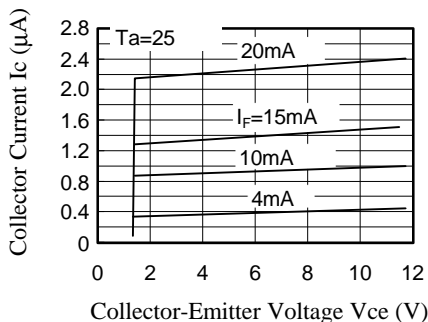


Fig.5 Collector Current vs. Vce

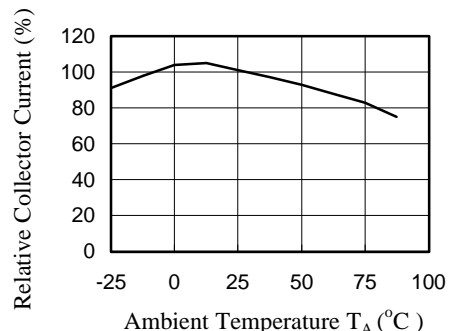


Fig.6 Relative Collector Current vs. T_A

Typical Optical-Electrical Characteristic Curves

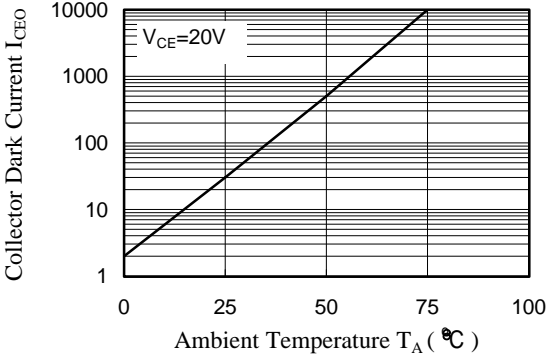


Fig.7 Collector Dark Current vs. Ambient Temperature

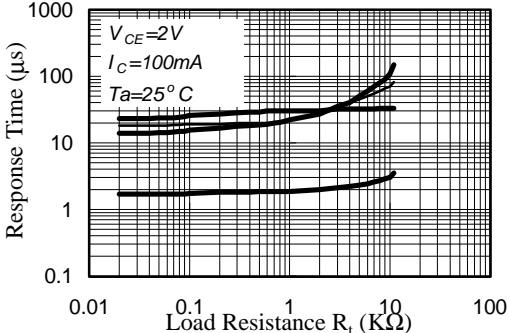


Fig.8 Response Time vs. Load Resistance

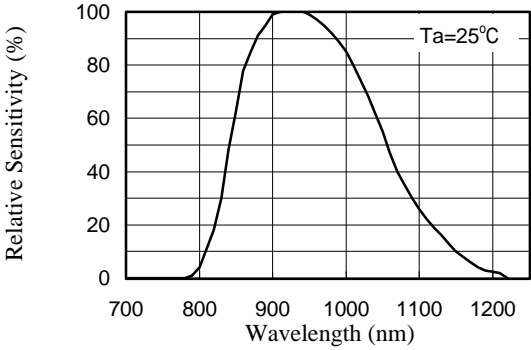
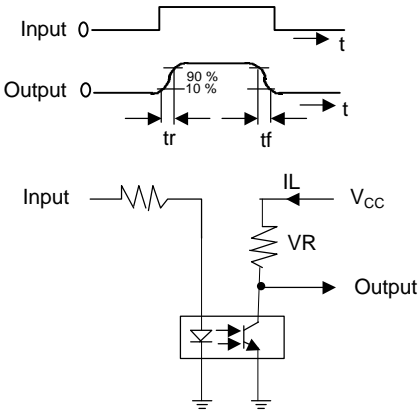


Fig.9 Spectral Sensitivity (Detecting side)

Response Time Measurement Circuit



Sensing Position Characteristics (Typical)

