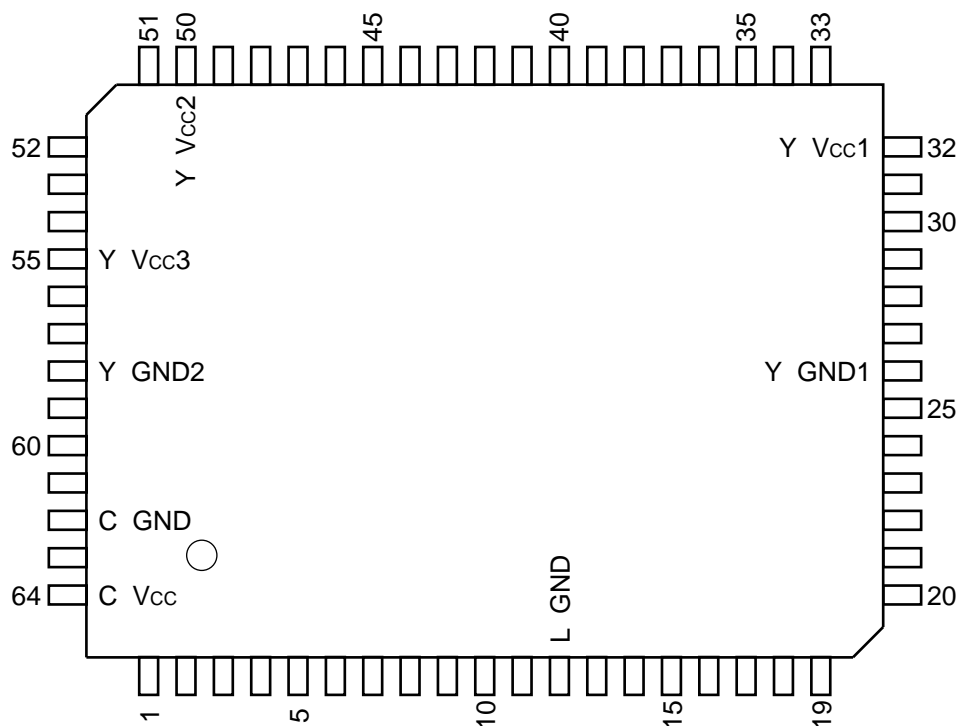
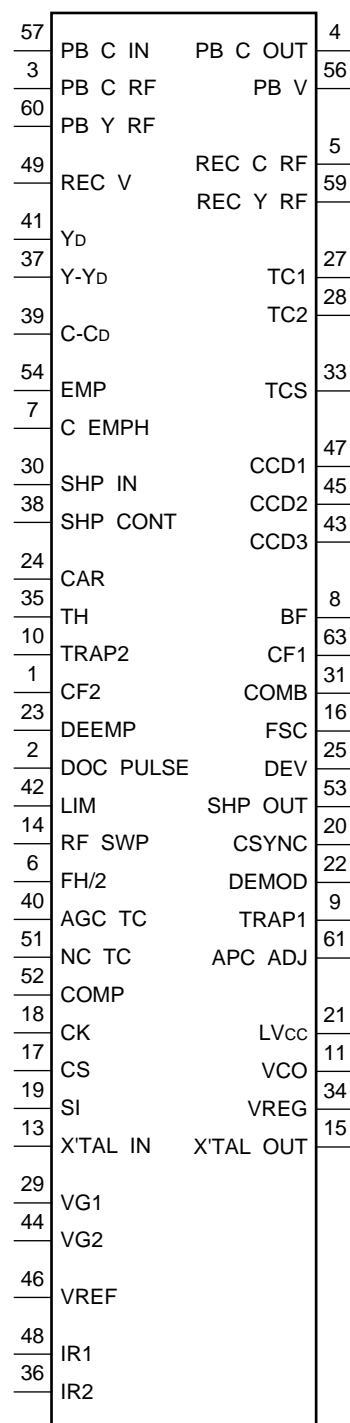

8-mm VCR BRIGHTNESS AND COLOR SIGNAL PROCESSOR
 - TOP VIEW -



(Vcc = +5 V)

| PIN No. | I/O | SIGNAL | PIN No. | I/O | SIGNAL | PIN No. | I/O | SIGNAL |
|---------|-----|-----------|---------|-----|------------------|---------|-----|----------|
| 1 | I | CF2 | 23 | I | DEEMP | 45 | O | CCD2 |
| 2 | I | DOC PULSE | 24 | I | CAR | 46 | — | VREF |
| 3 | I | PB C RF | 25 | O | DEV | 47 | O | CCD1 |
| 4 | O | PB C OUT | 26 | — | Y GND1 | 48 | — | IR1 |
| 5 | O | REC C RF | 27 | O | TC1 | 49 | I | REC V |
| 6 | I | FH/2 | 28 | O | TC2 | 50 | — | Y Vcc2 |
| 7 | I | C EMPH | 29 | — | VG1 | 51 | I | NC TC |
| 8 | O | BF | 30 | I | SHP IN | 52 | I | COMP |
| 9 | O | TRAP1 | 31 | O | COMB | 53 | O | SHP OUT |
| 10 | I | TRAP2 | 32 | — | Y Vcc1 | 54 | I | EMP |
| 11 | O | VCO | 33 | O | TCS | 55 | — | Y Vcc3 |
| 12 | — | L GND | 34 | O | VREG | 56 | O | PB V |
| 13 | I | X'TAL IN | 35 | I | TH | 57 | I | PB C IN |
| 14 | I | RF SWP | 36 | — | IR2 | 58 | — | Y GND2 |
| 15 | O | X'TAL OUT | 37 | I | Y-Y _D | 59 | O | REC Y RF |
| 16 | O | FSC | 38 | I | SHP CONT | 60 | I | PB Y RF |
| 17 | I | CS | 39 | I | C-C _D | 61 | O | APC ADJ |
| 18 | I | CK | 40 | I | AGC TC | 62 | — | C GND |
| 19 | I | SI | 41 | I | Y _D | 63 | O | CF1 |
| 20 | O | CSYNC | 42 | I | LIM | 64 | — | C Vcc |
| 21 | O | LVcc | 43 | O | CCD3 | | | |
| 22 | O | DEMOD | 44 | — | VG2 | | | |



INPUT

AGC TC ; CONSTANT PIN (DOC AGC/CCD AGC : Y SYSTEM)
 C EMPH ; CHROMA EMPHASIS BANDPASS FILTER (NTSC BPF : 3.58 MHz/PAL BPF : 4.43 MHz)
 C-C_D ; COMB FILTER SIGNAL (FROM CXL1501) (REC/PB)
 CAR ; ADJUST Y FM MODULATION CARRIER/INPUT Y SIGNAL (REC)
 CF2 ; CF1 BANDPASS FILTER (NTSC : 4.32 MHz/PAL : 5.17 MHz)
 CK ; BUS DECODER/BUS CLOCK
 COMP ; NOISE CANCELLER (HPF EXTERNAL TIME CONSTANT)
 CS ; BUS DECODER
 DEEMP ; 22PIN DEMOD OUT DC-CUT AND INPUT
 DOC PULSE ; DROPOUT DETECTION
 EMP ; Y SIGNAL PRE-EMPHASIS
 FH/2 ; APC COMPENSATION ON/OFF CONTROL
 LIM ; DECOUPLING
 NC TC ; NOISE CANCELLER (HPL EXTERNAL TIME CONSTANT)
 PB C IN ; C SIGNAL FROM 4PIN
 PB C RF ; C REFERENCE
 PB Y RF ; Y REFERENCE
 REC V ; COMPOSITE VIDEO SIGNAL
 RF SWP ; RF SWITCH PULSE
 SHP CONT ; SHARPNESS CONTROL (PB)
 SHP IN ; SHARPNESS (REC/PB)
 SI ; BUS DECODER/BUS SERIAL INPUT SIGNAL
 TH ; THROUGH SIGNAL (FROM CXL1501) (REC/PB)
 TRAP2 ; TRAP1 PASSES THROUGH EXTERNAL TRAP (PB)
 X'TAL IN ; OSC STANDARD (fscn : 3.58 MHz/fscp : 4.43 MHz)
 Y_D ; CCD 1H DELAY (FROM CXL1501) (REC/PB)
 Y-Y_D ; COMB FILTER SIGNAL (FROM CXL1501) (REC/PB)

OUTPUT

APC ADJ ; CHECK PIN (REC : AFC ERROR VOLTAGE/PB : APC CALIBRATION)
 BF ; BURST FLAG
 CCD1 ; CCD 1H DELAY (TO CXL1501) (CCD3 NEGATIVE PHASE) (REC)
 CCD2 ; CCD 1H DELAY (TO CXL1501) (CCD3 NEGATIVE PHASE) (REC/PB)
 CCD3 ; CCD 1H DELAY (TO CXL1501) (REC/PB)
 CF1 ; CARRIER CONVERTER
 COMB ; Y SIGNAL PROCESSED COMB FILTER
 CSYNC ; COMPOSITE SYNC SIGNAL
 DEMOD ; FM-DEMODULATED Y SIGNAL (PB)
 DEV ; ADJUST Y FM MODULATION DEVIATION/Y EMPHASIS (REC)
 FSC ; CLOCK FREQUENCY (NTSC : 4fscn/PAL : 3fscn)
 LV_{CC} ; V_{CC} PIN (LOGIC CIRCUIT BLOCK)
 PB C OUT ; C SIGNAL FREQUENCY-CONVERTED/BURST-DE-EMPHASIZED
 PB V ; PROCESSING Y SIGNAL/C VIDEO
 REC C RF ; C SIGNAL (BURST-EMPHASIZED/CHROMA-EMPHASIZED/FREQUENCY-CONVERTED)
 REC Y RF ; FM-MODULATED Y SIGNAL
 SHP OUT ; SHARPNESS
 TC1, TC2 ; MAIN EMPHASIS (OR DE-EMPHASIS TIME CONSTANT)
 TCS ; SUB-EMPHASIS (OR DE-EMPHASIS TIME CONSTANT)
 TRAP1 ; FREQUENCY-CONVERTED CHROMA SIGNAL (NTSC : 5.07 MHz/PAL : 5.90 MHz) (PB)
 VCO ; 378 f_HN (NTSC)
 VREG ; 4.2 V REGULATOR
 X'TAL OUT ; OSC STANDARD (fscn : 3.58 MHz/fscp : 4.43 MHz)

OHTER

IR1, IR2 ; EXTERNAL REFERENCE CURRENT
 VG1, VG2 ; VIRTUAL GND
 VREF ; INTERNAL REFERENCE VOLTAGE SOURCE

