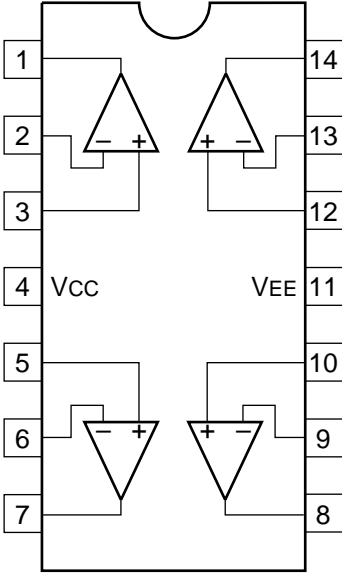

QUAD OPERATIONAL AMPLIFIER
—TOP VIEW—



$V_{CC} - V_{EE} \leq 36V$