

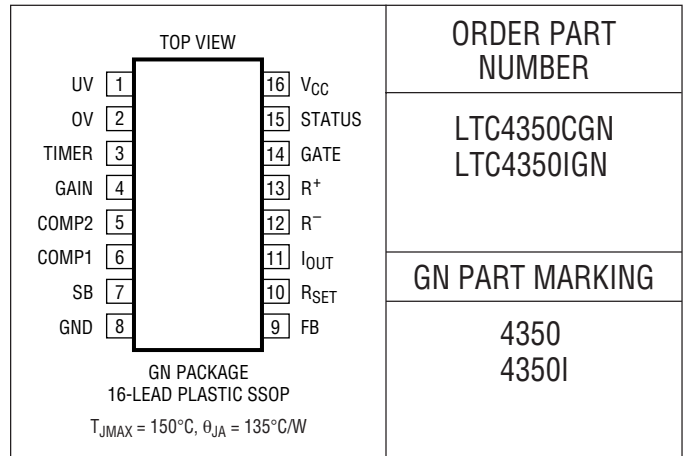


## ABSOLUTE MAXIMUM RATINGS

(Note 1)

Supply Voltage ( $V_{CC}$ )	17V
Input Voltage	
TIMER	-0.3V to 1.2V
$R^+$ , $R^-$ (Note 2)	-0.3V to 17V
FB	-0.3V to 5.3V
OV, UV	-0.3V to 17V
Output Voltage	
COMP1	-0.3V to 6V
COMP2	-0.3V to 3V
GAIN, SB	-0.3V to 5.6V
GATE (Note 3)	-0.3V to 20V
$I_{OUT}$ , STATUS	-0.3V to 17V
$R_{SET}$	-0.3V to 1V
Operating Temperature Range	
LTC4350C	0°C to 70°C
LTC4350I	-40°C to 85°C
Storage Temperature Range	-65°C to 150°C
Lead Temperature (Soldering, 10 sec)	300°C

## PACKAGE/ORDER INFORMATION



ORDER PART NUMBER

LTC4350CGN  
LTC4350IGN

GN PART MARKING

4350  
4350I

Consult LTC marketing for parts specified with wider operating temperature ranges.

## ELECTRICAL CHARACTERISTICS

The ● denotes the specifications which apply over the full operating temperature range, otherwise specifications are at  $T_A = 25^\circ\text{C}$ .  $V_{CC} = 5\text{V}$  unless otherwise noted.

SYMBOL	PARAMETER	CONDITIONS	MIN	TYP	MAX	UNITS
<b>DC Characteristics</b>						
$I_{CC}$	$V_{CC}$ Supply Current	$UV = V_{CC}$	● 1.0	1.6	2.0	mA
$V_{LKOH}$	$V_{CC}$ Undervoltage Lockout High		● 2.36	2.45	2.52	V
$V_{LKOL}$	$V_{CC}$ Undervoltage Lockout Low		● 2.24	2.34	2.44	V
$V_{FB}$	FB Pin Voltage	0°C to 85°C (LTC4350I) or 0°C to 70°C (LTC4350C) -40°C to 85°C (LTC4350I)	1.208	1.220	1.236	V
			1.196	1.220	1.244	V
$V_{FBLIR}$	FB Line Regulation	$V_{CC} = 3.3\text{V}$ to 12V, COMP1 = 1.240V		0.02	0.05	%/V
$V_{FBLOR}$	FB Load Regulation	COMP1 = 2V COMP1 = 0.64V	●	-0.0008	-0.1	%
			●	0.003	0.1	%
$V_{UVTH}$	UV Pin Threshold	High Going Threshold	● 1.215	1.244	1.258	V
		Low Going Threshold	● 1.205	1.220	1.237	V
$V_{OVTH}$	OV Pin Threshold	High Going Threshold	● 1.203	1.220	1.250	V
		Low Going Threshold	● 1.180	1.205	1.229	V
$V_{TM}$	TIMER Pin Threshold		● 1.18	1.22	1.26	V
$I_{TM}$	TIMER Pin Current	TIMER On, $V_{TIMER} = 0\text{V}$	● -1.75	-2	-2.3	μA
		TIMER On, $V_{TIMER} = 0\text{V}$ , $V_{OV} > V_{OVTH}$	● -5.30	-6	-6.7	μA
$V_G$	GAIN Pin Voltage	$R_{GAIN} = 25\text{k}$ , $(V_{R^+} - V_{R^-}) = 100\text{mV}$	● 2.3	2.5	2.7	V
$V_{GO}$	GAIN Pin Offset	$R_{GAIN} = 25\text{k}$ , $(V_{R^+} - V_{R^-}) = 0\text{mV}$	● 0	0.02	0.20	V
$V_{SB(MIN)}$	SB Pin Minimum Voltage			2	8	mV
$V_{SB(MAX)}$	SB Pin Maximum Voltage	$V_{CC} = 3.3\text{V}$	● 2.4	2.7	2.9	V
		$V_{CC} = 12\text{V}$	● 5.6	7.8	10.5	V
$I_{SB(MAX)}$	SB Pin Maximum Current	$V_{SB} = 0\text{V}$	● -8	-33	-41	mA
$R_{SB}$	SB Pin Resistor Value		● 14	20	33	kΩ
$V_{E/A2OFF}$	E/A2 Offset	$V_{SB} - V_{GAIN}$	● 8	25	50	mV

**ELECTRICAL CHARACTERISTICS** The ● denotes the specifications which apply over the full operating temperature range, otherwise specifications are at  $T_A = 25^\circ\text{C}$ .  $V_{CC} = 5\text{V}$  unless otherwise noted.

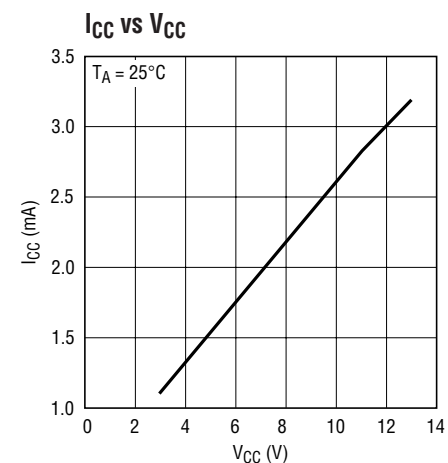
SYMBOL	PARAMETER	CONDITIONS	MIN	TYP	MAX	UNITS
<b>DC Characteristics</b>						
$V_{RSET(MAX)}$	$R_{SET}$ Pin Maximum Voltage	$V_{CC} = 3.3\text{V}$ , $R_{SET} = 100\Omega$	● 0.94	1	1.03	V
		$V_{CC} = 12\text{V}$ , $R_{SET} = 100\Omega$	● 0.94	1	1.03	V
$V_{RSET(MIN)}$	$R_{SET}$ Pin Minimum Voltage	$V_{CC} = 5\text{V}$ , $R_{SET} = 1000\Omega$	●	0.001	0.5	V
		$V_{CC} = 5\text{V}$ , $R_{SET} = 100\Omega$	●	0.001	0.5	V
$I_{RSET(MAX)}$	$R_{SET}$ Pin Maximum Current	$R_{SET} = 50\Omega$ , $V_{IOUT} = 1.1\text{V}$	● 18	20	21	mA
$V_{RCTH}$	Reverse Current Threshold	$V_{R^+} - V_{R^+}$	● 10	30	40	mV
$\Delta V_{GATE}$	External N-Channel Gate Drive	$V_{GATE} - V_{CC}$	● 10.8	12	12.7	V
$I_{GATE}$	GATE Pin Current	Gate On, $V_{GATE} = 0\text{V}$	● -8	-10	-12	$\mu\text{A}$
$V_{SOL}$	STATUS Pin Output Low	$I_{OUT} = 3\text{mA}$	● 0.1	0.3	1.2	V

**Note 1:** Absolute Maximum Ratings are those values beyond which the life of a device may be impaired.

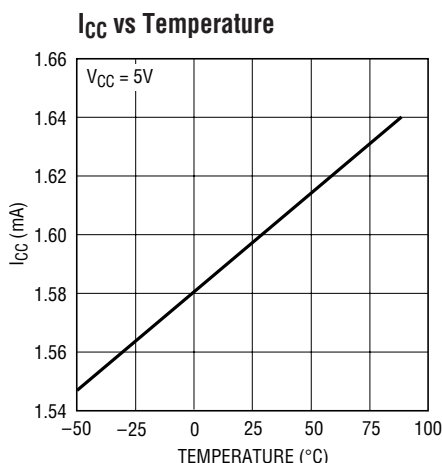
**Note 2:**  $R^+$  and  $R^-$  could be at 17V while  $V_{CC} = 0\text{V}$ .

**Note 3:** An internal clamp limits the GATE pin to a minimum of 10.8V above  $V_{CC}$ . Driving this pin to voltages beyond the clamp may damage the part.

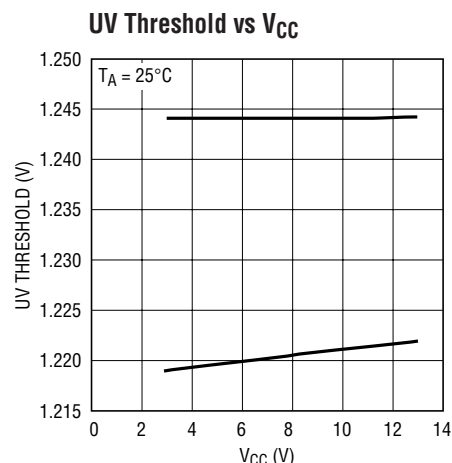
**TYPICAL PERFORMANCE CHARACTERISTICS**



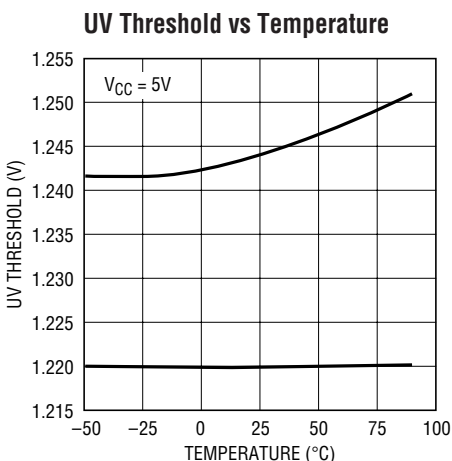
4350 G01



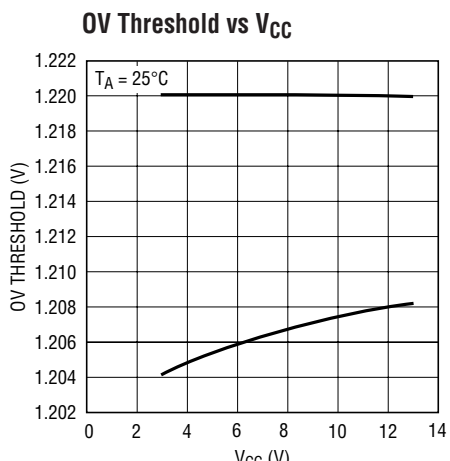
4350 G02



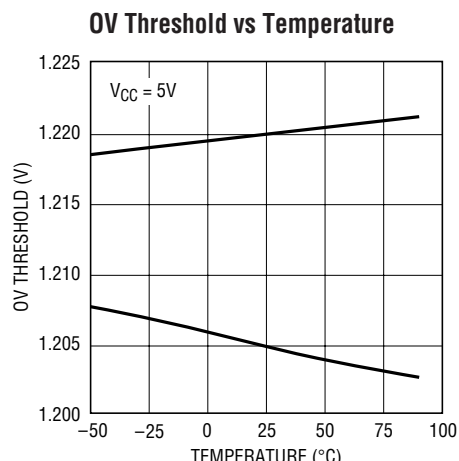
4350 G03



4350 G04



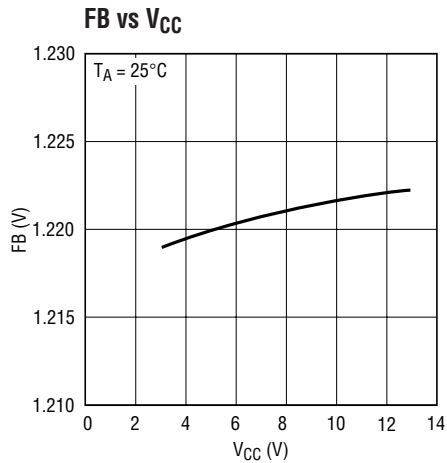
4350 G05



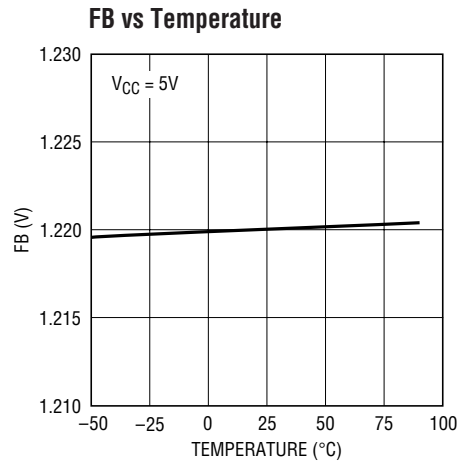
4350 G06

4350fa

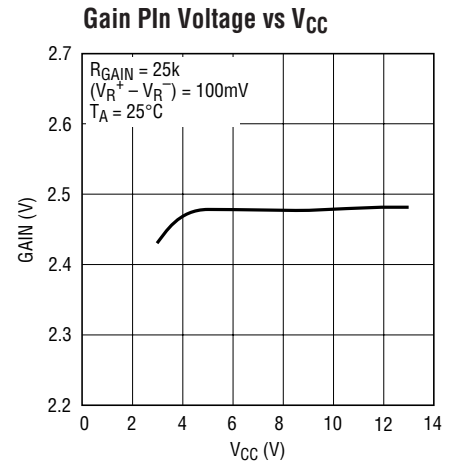
## TYPICAL PERFORMANCE CHARACTERISTICS



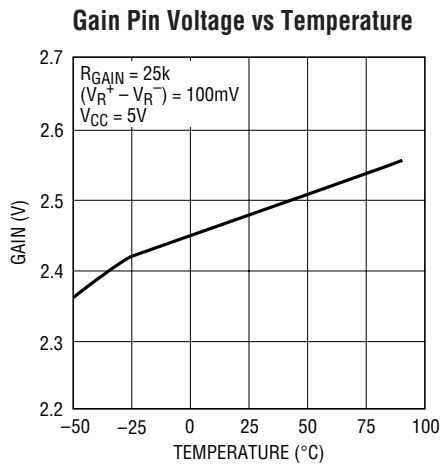
4350 G07



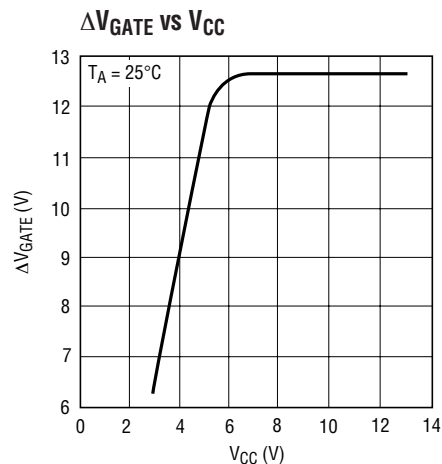
4350 G08



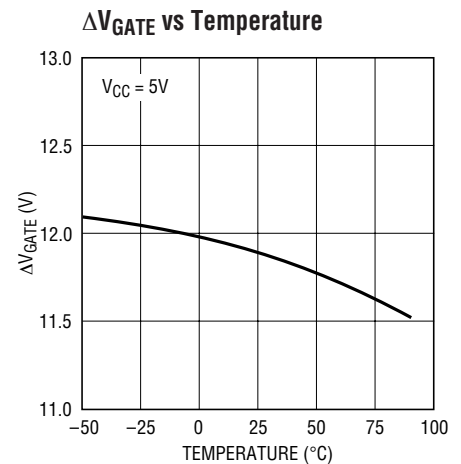
4350 G09



4350 G10



4350 G11



4350 G12

## PIN FUNCTIONS

**UV (Pin 1):** Undervoltage Pin. The threshold is set at 1.244V with a 24mV hysteresis. When the UV pin is pulled high, the charge pump ramps the GATE pin. When the UV pin is pulled low, the GATE pin will be pulled low.

**OV (Pin 2):** Overvoltage Pin. The threshold is set at 1.220V with a 15mV hysteresis. When the OV pin is pulled high, the GATE pin is pulled low. After a timer cycle, the STATUS pin is pulled low until the OV pin is pulled low.

**TIMER (Pin 3):** Analog System Timing Generator Pin. This pin is used to set the delay before the load sharing turns on after the UV pin goes high. The other use for the TIMER pin is to delay the indication of a fault on the STATUS pin.

When the timer is off, an internal N-channel shorts the TIMER pin to ground. When the timer is turned on, a 2 $\mu\text{A}$  or 6 $\mu\text{A}$  timer current ( $I_{\text{TIMER}}$ ) from  $V_{CC}$  is connected to the TIMER pin and the voltage starts to ramp up with a slope given by:  $dV/dt = I_{\text{TIMER}}/C_T$ . When the voltage reaches the trip point (1.220V), the timer will be reset by pulling the TIMER pin back to ground. The timer period is given by:  $(1.220\text{V} \cdot C_T)/I_{\text{TIMER}}$ .

**GAIN (Pin 4):** Analog Output Pin. The voltage across the  $R^+$  and  $R^-$  pins is divided by a 1k resistor and sourced as a current from the GAIN pin. An external resistor on the GAIN pin determines the voltage gain from the current sense resistor to the GAIN pin.

4350fa

## PIN FUNCTIONS

**COMP2 (Pin 5):** Analog Output Pin. This pin is the output of the share bus error amplifier E/A2. (A compensation capacitor between this pin and ground sets the crossover frequency for the power supply adjustment loop.) In most cases, this pin operates between 0.5V to 1.5V and represents a diode voltage up from the voltage at the  $R_{SET}$  pin. It is clamped at 3V. During start-up, this pin is clamped to ground. After a timer cycle (and if the GATE pin is high), the COMP2 pin is released.

**COMP1 (Pin 6):** Analog Output Pin. This pin is the output of the voltage regulating error amplifier E/A1. A compensation capacitor between this pin and ground sets the crossover frequency of the share bus loop. This pin operates a diode voltage up from the voltage at the SB pin and is clamped at 8.4V.

**SB (Pin 7):** Analog Output Pin. This pin drives the share bus used to communicate the value of shared load current between several power supplies. There is an amplifier that drives this pin a diode below the COMP1 pin using an internal NPN as a pull-up and a 20k resistor as a pull-down.

**GND (Pin 8):** Chip Ground.

**FB (Pin 9):** Analog Error Amplifier Input (E/A1). This pin is used to monitor the output supply voltage with an external resistive divider. The FB pin voltage is compared to 1.220V reference. The difference between the FB pin voltage and the reference is amplified and output on the COMP1 pin.

**$R_{SET}$  (Pin 10):** Analog Output Pin. The  $I_{OUT}$  amplifier converts the voltage at the COMP2 pin (down a diode voltage) to the  $R_{SET}$  pin. Therefore, the current through the external resistor ( $R_{SET}$ ) placed between the  $R_{SET}$  pin and ground is  $(COMP2 - V_{DIODE})/R_{SET}$ . This current is used to adjust the output voltage.

**$I_{OUT}$  (Pin 11):** Analog Output Pin. The current flowing into the  $I_{OUT}$  pin is equal to the current flowing out of the  $R_{SET}$  pin that was set by the external resistor  $R_{SET}$ . This current is used to adjust the output supply voltage by modifying the voltage sensed by the power supply's internal voltage feedback circuitry.

**$R^-$  (Pin 12):** Analog Input Pin. With a sense resistor placed in the supply path between the  $R^+$  and  $R^-$  pins, the power supply current is measured as a voltage drop between  $R^+$  and  $R^-$ . This voltage is measured by the  $I_{SENSE}$  block and multiplied at the GAIN pin.

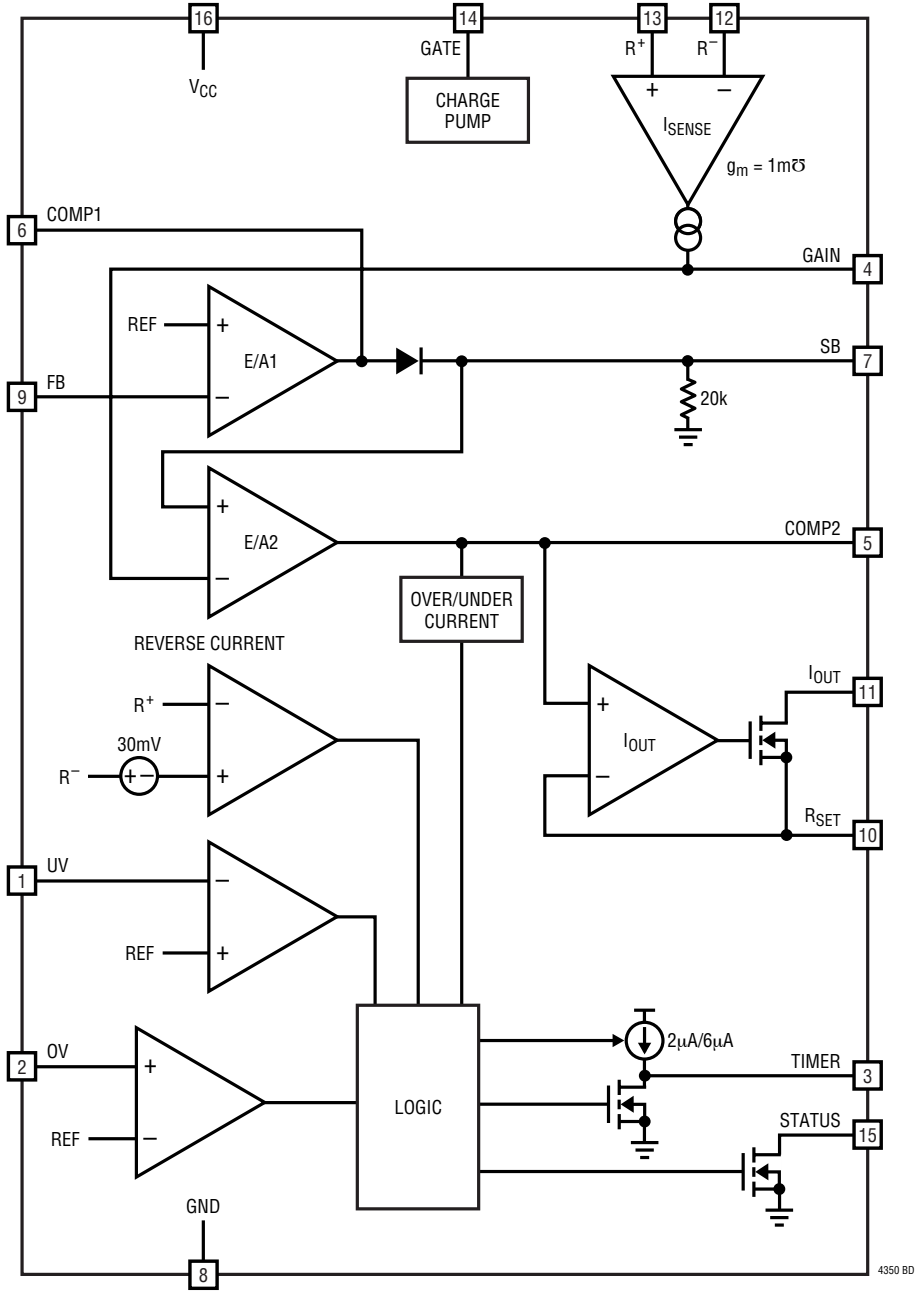
**$R^+$  (Pin 13):** Analog Input Pin. With a sense resistor placed in the supply path between the  $R^+$  and  $R^-$  pins, the power supply current is measured as a voltage drop between  $R^+$  and  $R^-$ . This voltage is measured by the  $I_{SENSE}$  block and multiplied at the GAIN pin.

**GATE (Pin 14):** The high side gate drive for the external N-Channel power FET. An internal charge pump provides the gate drive necessary to drive the FETs. The slope of the voltage rise or fall at the GATE is set by an external capacitor connected between GATE and GND, and the 10 $\mu$ A charge pump output current. When the undervoltage lockout circuit monitoring  $V_{CC}$  trips, the OV pin is pulled high or the UV pin is pulled low, the GATE pin is immediately pulled to GND.

**STATUS (Pin 15):** Open-Drain Digital Output. The STATUS pin has an open-drain output to GND. This pin is pulled low to indicate a fault has occurred in the system. There are three types of faults. The first is a undervoltage lockout on  $V_{CC}$  or the UV pin is low while the output voltage is active. The second is when the COMP2 pin is above 1.5V or below 0.5V and the voltage on the GAIN pin is greater than 100mV. The final failure is when the OV pin is high. The three faults will activate the pull-down on the STATUS pin after a timing cycle.

**$V_{CC}$  (Pin 16):** The Positive Supply Input, Ranging from 3.3V to 12V for Normal Operation.  $I_{CC}$  is typically 1.6mA. An undervoltage lockout circuit disables the chip until the voltage at  $V_{CC}$  is greater than 2.47V. A 0.1 $\mu$ F bypass capacitor is required on the  $V_{CC}$  pin. If the  $V_{CC}$  pin is tied to the same power supply output that is being adjusted, then a 51 $\Omega$  decoupling resistor is needed to hold up the supply during a short to ground on the supply output.  $V_{CC}$  must be greater than or equal to the supply that is connected to the  $R^+$  and  $R^-$  pins.

**BLOCK DIAGRAM**



4350 BD

## APPLICATIONS INFORMATION

### INTRODUCTION

Many system designers find it economically feasible to parallel power supplies to achieve redundancy. The second trend is providing some load sharing between the many supplies. In some cases, a failure in any one supply will trigger a sequence that disconnects the faulty supply and sends a flag to the system. Then, a service technician will swap in a good supply. For systems that are continuously powered, there is Hot Swap circuitry to prevent glitches on the power buses when power cards are swapped. A block diagram of this system is shown in Figure 1.

By combining the features of a load share and a Hot Swap controller into one IC, the LTC4350 simplifies the design of redundant power supplies. A complete redundant power supply is a combination of a power module and the LTC4350 as shown in Figure 2. Note that the power

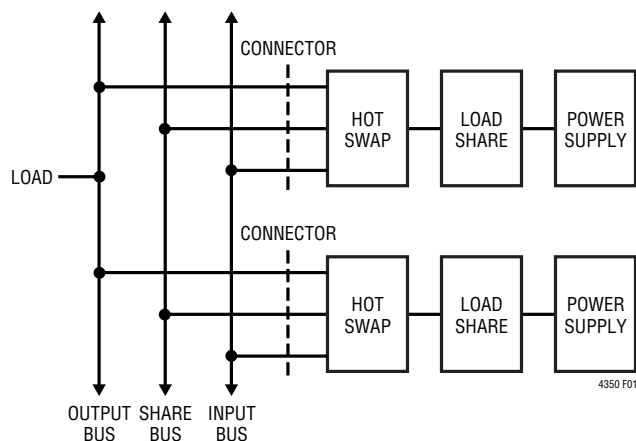


Figure 1. Redundant Power Card System

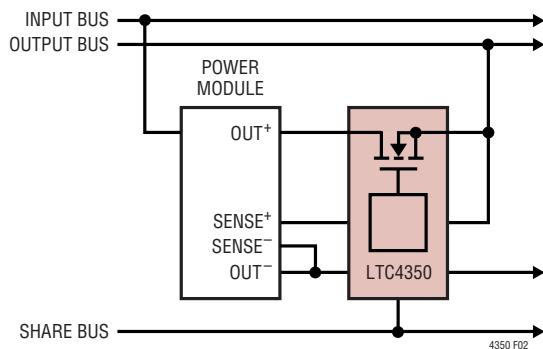


Figure 2. Redundant Power Supply

module must have accessible feedback network or a remote sensing pin (SENSE<sup>+</sup>) to interface to the LTC4350.

The LTC4350 provides a means for paralleling power supplies. It also provides for load sharing, fault isolation and power supply hot insertion and removal. The power supply current is accurately measured and then compared to a share bus signal. The power supply's output voltage is adjusted until the load current matches the share bus, which results in load sharing. There are two optional power FETs in series with the load that provide a quick disconnect between a load and a failed power supply. These same power FETs allow a power supply to be connected into a powered backplane in a controlled manner or removed without disruption.

### CURRENT SHARING

The current sharing components will now be discussed. Figure 3 shows a simplified block diagram of these components. The I<sub>SENSE</sub> block measures the power supply current by amplifying the voltage drop across the sense resistor. An external resistor on the GAIN pin determines the gain of the I<sub>SENSE</sub> block. The voltage drop across the sense resistor is divided by a precision 1k resistor to produce a current at the GAIN pin. For example, a 10mV sense voltage translates to a 10 $\mu$ A current. If a 10k resistor is on the GAIN pin, then the voltage gain is 10k/1k or 10.

The voltage at the GAIN pin is compared to the current share bus using the E/A2 block. The output of E/A2 is used to adjust the output voltage of the power supply using the I<sub>OUT</sub> block. The objective of the E/A2 block is forcing the GAIN pin voltage to equal the SB pin voltage. When the GAIN pin voltages of all the LTC4350s in the system equal the SB pin voltage, the load current is shared.

### VOLTAGE MONITOR

Unique to the LTC4350 is tight output voltage regulation. This is handled by the LTC4350's error amplifier and reference and not the power supply's error amplifier and reference. The E/A1 amplifier monitors the output voltage via the feedback divider connected to the FB pin. The FB pin is compared to the internal reference of the LTC4350. If the FB pin is at or below the reference, then the output of E/A1

## APPLICATIONS INFORMATION

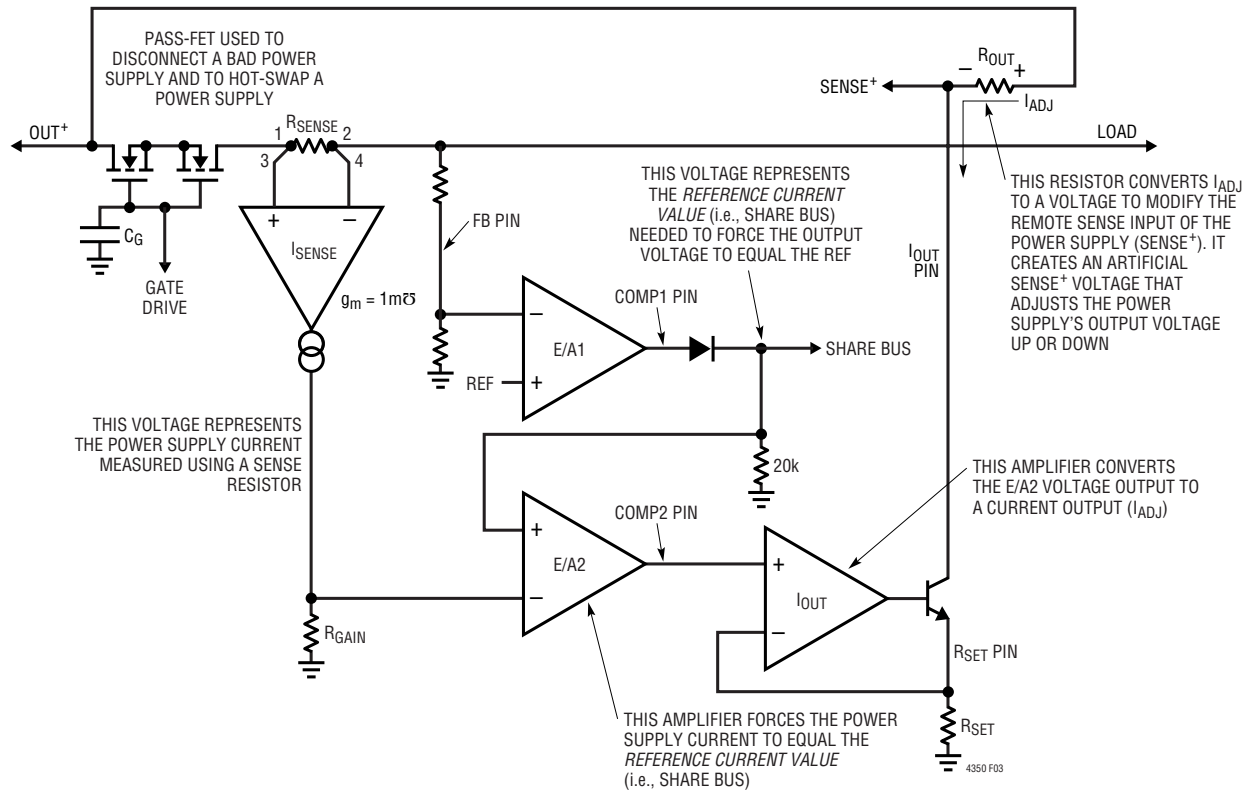


Figure 3. Simplified Block Diagram

drives the SB pin (or share bus). If the FB pin is above the reference, the COMP1 pin is grounded and the SB pin is disconnected from the COMP1 pin using the series diode.

The LTC4350 with the highest reference will drive the SB pin and the 20k loads connected to the SB pin. All of the other LTC4350's COMP1 pins are pulled low because their FB pins are at a higher voltage than their references. The series diode between the COMP1 pin and the SB pin is actually a low impedance buffer amplifier with a diode in the output stage. Therefore, the master LTC4350's E/A1 drives the share bus to the proper value that keeps the output voltage tightly regulated. The buffer amplifier is capable of driving at least fifty 20k loads (each 20k load represents an LTC4350).

### OUTPUT VOLTAGE ADJUSTMENT

The LTC4350 is designed to work with supplies featuring remote sense. The output voltage of each power supply needs to be adjusted below the final output voltage at the

common load. For example, a 5V system would require the power supply output be set to 4.90V or some value below 5V. This is normally done using the trim pin of the module. The power supply output is then increased by artificially reducing the positive sense voltage by a small amount. The LTC4350 would then adjust the output voltage to 5V, an increase of 2%. The maximum range of adjustment can be set from 2% to 5% to compensate for voltage drops in the wiring, but no more than 300mV.

In most power supplies, the voltage sense is tied directly to the output voltage. If a small valued resistor,  $R_{OUT}$ , is placed in series with the power supply sense line, a voltage drop across  $R_{OUT}$  appears as a lower sensed voltage. This requires the power supply to increase its output voltage to compensate. Thus, the LTC4350 exercises complete control of the final output voltage.

The  $I_{OUT}$  block converts the E/A2 output (COMP2 pin) to a current that flows through  $R_{OUT}$  (see Figure 3). As the voltage at COMP2 increases, the current in  $R_{OUT}$



## APPLICATIONS INFORMATION

increases. The output voltage will then increase by an amount equal to the voltage drop across  $R_{OUT}$ . The external resistor,  $R_{SET}$ , sets the voltage to current relationship in the  $I_{OUT}$  block. The current in  $R_{OUT}$  is defined as  $I_{ADJ} = (V_{COMP2} - 0.58V)/R_{SET}$ .

The maximum voltage that can be applied across  $R_{SET}$  is 1V. The range of the output voltage adjustment is set to be  $V_{MAXADJ} = R_{OUT}/R_{SET}$ . This sets the worst-case output voltage if the share bus is accidentally shorted to  $V_{CC}$ . As mentioned previously, this range is set to be 2% to 10% in value.

The compensation elements,  $C_{CP1}$  and  $C_{CP2}$ , are used to set the crossover frequencies of the two error amplifiers E/A1 and E/A2. In the Design Example section, the calculations for choosing all of the components will be discussed.

### Output Adjust Soft-Start

In the LTC4350, there is soft-start circuitry that holds the COMP2 pin at ground until both the GATE pin is 4V above the  $V_{CC}$  pin and a timer cycle is completed following the UV pin becoming active.

Upon power-up, most of the circuitry is active including the circuits that monitor and adjust the output voltage. The external power FETs are initially open circuit when power is applied. It takes about 10ms to 100ms for the FETs to transition from the off to the fully on state (as discussed in the following Hot Swapping section). During this time the FB pin is near ground which forces the SB to the positive rail. The COMP2 pin is then forced to the positive rail, which forces the  $R_{SET}$  pin to 1V. The voltage at the output of the power supply is now adjusted to its maximum adjusted value, which can be 10% above nominal. Once the power FETs are turned on, the load will see this adjusted output voltage. This appears to be a voltage overshoot at the load that exists until the loop can correct itself. The dominant pole in the loop exists on the COMP2 pin. Therefore, the overshoot duration is determined by the discharge time of the COMP2 pin.

In order to eliminate this overshoot, the COMP2 pin is clamped at ground until the GATE pin is 4V above the  $V_{CC}$  pin (power FETs are turned on). Now, the COMP2 pin will begin to charge up until the FB pin regulates at 1.220V.

In cases where the power FETs are turned on but the power supply is still ramping up, the load voltage may overshoot. For these cases, the COMP2 pin is clamped to ground during one timing cycle. If the UV pin is greater than 1.244V, the chip begins the timer cycle. The timer cycle uses a  $2\mu A$  current source into an external capacitor on the TIMER pin. As soon as the voltage at the TIMER pin exceeds 1.220V, the timer cycle is over. The time-out is defined as  $t = C_T \cdot 1.220V/2\mu A$ . At the end of the timer cycle, the power supply ramping should be complete.

### Faults

There are several types of power supply output faults. Shorts from the output to ground or to a positive voltage greater than the normal output voltage are considered "hard faults." These faults require the bad power supply to be immediately disconnected from the load in order to prevent disruption of the system. "Soft faults" include power supply failed open-circuit or load current sharing failure where the output voltage is normal but load sharing between several supplies is not equal. The LTC4350 can isolate soft and hard faults and signal a system controller using the STATUS pin.

### HARD FAULTS

The LTC4350 can identify faults in the power supply and isolate them from the load if optional external power FETs are included between the power supply and the load. In the case of a power supply output short to ground, the reverse current block will sense that the voltage across the current sense resistor has changed directions and has exceeded 30mV for more than  $5\mu s$ . The gate of the external power FETs is immediately pulled low disconnecting the short from the load. The gate is allowed to ramp-up and turn-on the power FETs as soon as the reverse voltage across the sense resistor is less than 30mV.

The condition where a power supply output shorts to a high voltage is referred to as an overvoltage fault. In this case, the gate of the power FETs is pulled low disconnecting the overvoltage from the load. This feature uses the OV pin to monitor the power supply output voltage. Once the voltage on the OV pin exceeds the 1.220V threshold, the gate of the external power FETs is pulled low.

## APPLICATIONS INFORMATION

A timer is started as soon as the OV pin exceeds 1.220V. The timer consists of a  $6\mu\text{A}$  current source into an external capacitor on the TIMER pin. As soon as the voltage on the TIMER pin exceeds 1.220V, the STATUS pin is pulled low.

There are two external power FETs in Figure 3. The FET with its drain on the power supply side (left) and its source on the load side (right) is used to block high voltage faults from the load. If overvoltage protection is not needed, this FET is omitted. Likewise, the FET with its drain on the load side (right) can be eliminated if protection from a ground short is not needed. The other use for the power FETs is to allow hot swapping of the power supply. Hot swapping will be discussed in a later section.

### SOFT FAULTS

The existence of a share bus that forces tight regulation of the system output voltage allows the system to detect if the load current is not sharing properly. As mentioned previously, the output of E/A2 will adjust until the measured current equals the share bus value. If the power supply output fails to share properly, the E/A2 output will hit the plus or minus supply. The LTC4350 uses the over/under current block to monitor the E/A2 output. This block signals the logic that a soft fault has occurred if the E/A2 output goes out of the normal 0.5V to 1.5V range where the  $I_{\text{OUT}}$  block is active. After a timer cycle, the STATUS pin indicates a soft fault. The timer consists of a  $2\mu\text{A}$  current source into an external capacitor on the TIMER pin. As soon as the voltage on the TIMER pin exceeds 1.220V, the STATUS pin is pulled low.

The fault indication at the STATUS pin is disabled under one condition. The E/A2 output can be less than 0.5V when the load currents are low. In this case, it is desired to disable the soft fault indication until the current is higher. Higher current is defined as when the GAIN pin is greater than 100mV.

The most common situations for soft faults are a disconnected power supply and the share bus shorts to  $V_{\text{CC}}$  or ground.

### HOT SWAPPING

The LTC4350 controls external power FETs to allow power supplies to be hot swapped in and out of the powered system without disturbing the power buses. The gate of the power FETs are slowly ramped up. This slowly charges the power supply input and output capacitors, preventing the large inrush currents associated with capacitors being hot plugged into power buses.

When power is first applied to the  $V_{\text{CC}}$  pin, the gate of the power FET is pulled low. As soon as  $V_{\text{CC}}$  rises above the undervoltage lockout threshold, the chip's UV pin is functional. A  $0.1\mu\text{F}$  bypass capacitor is required on the  $V_{\text{CC}}$  pin. If the  $V_{\text{CC}}$  pin is tied to the same power supply output that is being adjusted, then a  $51\Omega$  decoupling resistor is needed to hold up the supply during a short to ground on the supply output.

If the UV pin is greater than 1.244V, the gate of the external FETs is charged with a  $10\mu\text{A}$  current source. The voltage at the GATE pin begins to rise with a slope equal to  $10\mu\text{A}/C_{\text{G}}$  (Figure 4), where  $C_{\text{G}}$  is the external capacitor connected between the GATE pin and GND. This slow charging allows the power supply output to begin load sharing in a nondisruptive manner.

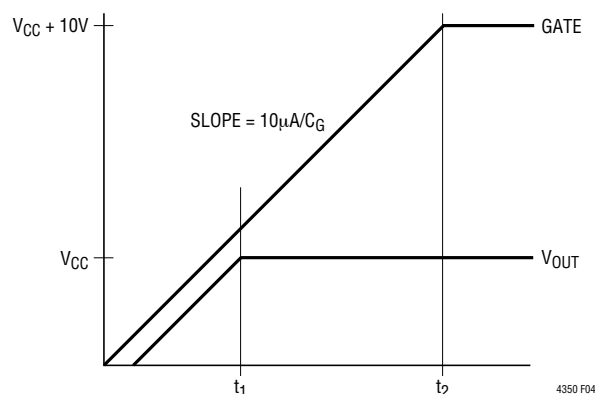


Figure 4. Supply Turn-On

4350 F04



## APPLICATIONS INFORMATION

The resistors  $R_{OUT}$  and  $R_{SET}$  set the adjustment range. The voltage on  $R_{SET}$  is translated to a voltage on  $R_{OUT}$  by the ratio of  $R_{OUT}/R_{SET}$ . Therefore, the adjustment on the output voltage will track the voltage at the  $R_{SET}$  pin which is also the voltage on the COMP2 pin minus a diode voltage. The expression is  $V_{ADJ} = (V_{RSET}) \cdot R_{OUT}/R_{SET} = (V_{COMP2} - V_{DIODE}) \cdot R_{OUT}/R_{SET}$ . The maximum voltage at  $V_{RSET}$  is limited to 1V. The maximum adjustment on the output is expressed as  $V_{ADJMAX} = R_{OUT}/R_{SET}$ . A normal value for  $R_{SET}$  is in the 50 $\Omega$  to 100 $\Omega$  range.

If we set  $R_{SET}$  to be 100 $\Omega$ , then an  $R_{OUT}$  of 100 $\Omega$  allows the output voltage a full 1V adjustment. For the 0.3V range in this example, the  $R_{OUT}$  is 30 $\Omega$ . In some power modules, there already exists a resistor between the SENSE<sup>+</sup> line and the power output. In this case, the value of  $R_{OUT}$  is the parallel combination of two resistors, one in the module and one placed between the SENSE<sup>+</sup> and output terminals of the module.

The value of the gain setting resistor,  $R_{GAIN}$ , depends on the maximum voltage drop across the sense resistor and the supply voltage  $V_{CC}$  for the chip. The highest possible voltage at the GAIN pin is 1.5V from the  $V_{CC}$  voltage. The maximum voltage on the GAIN pin is expressed as:  $V_{GAINMAX} = R_{SENSE} \cdot I_{MAX} \cdot R_{GAIN}/1k = V_{CC} - 1.5V$ . The expression for  $R_{GAIN}$ :  $R_{GAIN} = (V_{CC} - 1.5V) \cdot 1k / (R_{SENSE} \cdot I_{MAX})$ . In this example,  $V_{CC}$  is 5V,  $I_{MAX}$  is 20A and  $R_{SENSE}$  is 0.002 $\Omega$ . Therefore,  $R_{GAIN}$  is 87.5k but using 1% values results in 86.6k.

The FB pin divider provides a 1.220V output for a 5V input. The precision of the FB pin divider resistors will impact the accuracy of the final output voltage. The UV resistive divider in this example, turns on the gate when  $V_{CC}$  increases above 4V. This corresponds to the UV pin at 1.220V. The capacitor  $C_{UV}$  prevents false activation during load steps. The OV set point needs to occur above the adjustment max for  $V_{CC}$ . The power supply output (which also is  $V_{CC}$ ), can start as high as 5V and adjust upwards to 5.3V. The OV set point in this example is 5.5V on  $V_{CC}$  when the OV pin is at 1.220V.

The timer capacitor  $C_T$  is set to be 0.1 $\mu$ F for a 61ms timer cycle. The expression is  $t = C_T \cdot 1.22V/2\mu A$ . The gate capacitor  $C_G$  is set to be 0.1 $\mu$ F which sets a slope of  $10\mu A/C_G$  or 1V every 10ms. In this case, the GATE pin must

charge up to 9V before the output can ramp to 5V which happens in 90ms. In this case, the output adjust soft-start turns on when the gate ramps above 9V. The soft-start circuitry releases the COMP2 pin allowing the load sharing loop to function. A 100 $\Omega$  resistor  $R_G$  prevents high frequency oscillations from the power FETs at their turn-on threshold. A 0.1 $\mu$ F bypass capacitor is required on the  $V_{CC}$  pin. If the  $V_{CC}$  pin is tied to the same power supply output that is being adjusted, then a 51 $\Omega$  decoupling resistor is needed to hold up the supply during a short to ground on the supply output.

## COMPENSATION

The compensation capacitor,  $C_{P1}$ , is needed to set the crossover frequency of the feedback error amplifier E/A1. The crossover frequency of 200kHz is adequate for most applications and requires  $C_{P1}$  to be 1000pF (0.001 $\mu$ F).

The design of the other compensation capacitor will require some knowledge about the power supply's bandwidth. The bandwidth can be measured easily. First, use a storage oscilloscope to monitor the power supply output voltage. Then place a 1A resistive fixed load and switch in a second resistive load that increases the total load current close to rated maximum. Tapping the second resistor (with the correct power rating) to the power supply output creates this load step. Trigger the scope on the falling edge of the output voltage as it drops more than 100mV (for example from 5V to 4.8V). The recovery time,  $t_R$ , from the step needs to be measured.  $t_R$  is defined as the 10% to 90% time measurement (see Figure 6). The

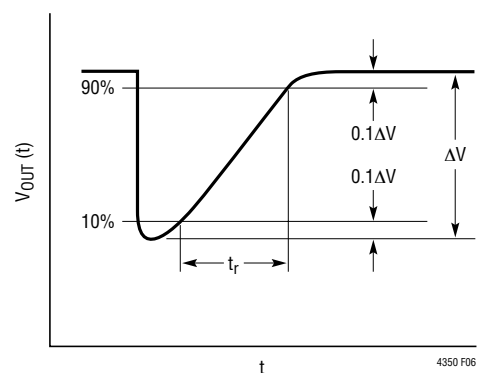


Figure 6.  $t_R$  Measurement

## APPLICATIONS INFORMATION

compensation capacitor  $C_{P2}$  can be looked up in Table 1 using  $t_R$ . The value for the zero setting resistor,  $R_{P1}$ , is  $150\Omega$ . This value guarantees the zero is at or above the crossover frequency.

**Table 1**

$t_R$	$f_C = 0.35/t_R$	$C_{P2}$
5 $\mu$ s	70kHz	0.1 $\mu$ F
10 $\mu$ s	35kHz	0.22 $\mu$ F
20 $\mu$ s	17.5kHz	0.47 $\mu$ F
40 $\mu$ s	8.8kHz	1 $\mu$ F
60 $\mu$ s	5.8kHz	1.5 $\mu$ F
80 $\mu$ s	4.4kHz	2.2 $\mu$ F
100 $\mu$ s	3.5kHz	2.7 $\mu$ F
150 $\mu$ s	2.3kHz	3.3 $\mu$ F
200 $\mu$ s	1.8kHz	4.7 $\mu$ F
300 $\mu$ s	1.2kHz	6.8 $\mu$ F
400 $\mu$ s	0.9kHz	10 $\mu$ F
500 $\mu$ s	0.7kHz	12 $\mu$ F

## OTHER APPLICATIONS

The application shown on the first page of this data sheet assumes that the power supplies and the load reside on one main board. If the system is a true N + 1 hot swappable

power supply, then the LTC4350 will reside with the power supply on a daughter card that plugs into the main board. In this case, the input and output capacitors need to be hot swapped (see Figure 7). The output capacitors are Hot Swap protected by the LTC4350. The input capacitors are Hot Swap protected using the LT<sup>®</sup>4250. Other Hot Swap parts are described in Table 2.

**Table 2**

VOLTAGE RANGE	PART NUMBER
3.3V to 12V	LTC1422 Single Channel LTC1645 Dual Chanel
3.3V to 15V	LTC1642 Overvoltage Protection
2.7V to 16.5V	LTC1647 Dual Channel
9V to 80V	LT1641 Positive High Voltage
-20V to -80V	LT4250 Negative High Voltage

In some cases, the output voltage is below the undervoltage lockout of the LTC4350. In this case, an external supply of 3.3V or greater needs to provide for the chip. Figure 8 shows a 1.5V output redundant power supply that uses 24V to 1.5V switching power supplies. The  $V_{CC}$  pin of the LTC4350 can be driven from the  $INTV_{CC}$  pin of the LTC1629.

APPLICATIONS INFORMATION

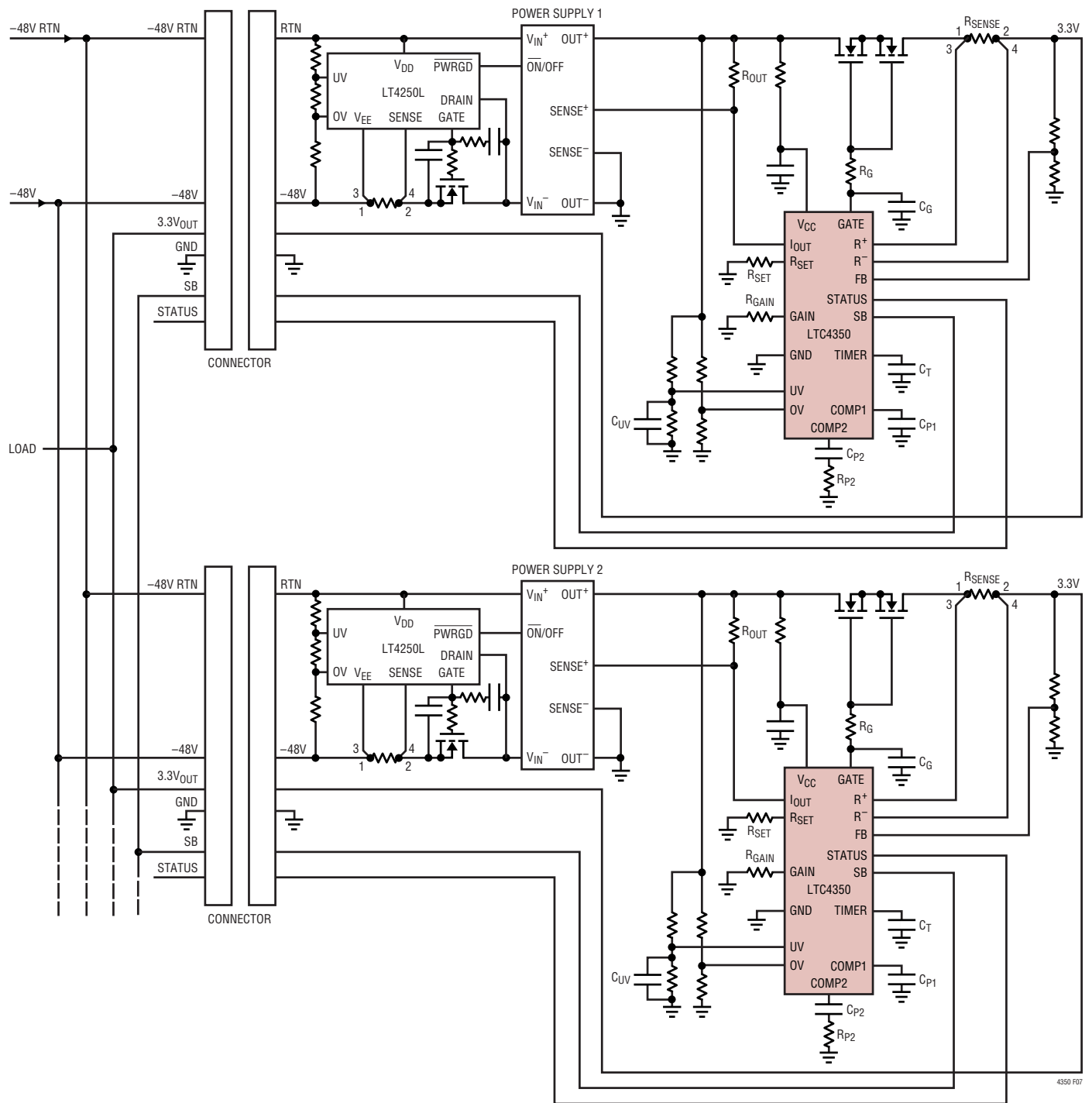
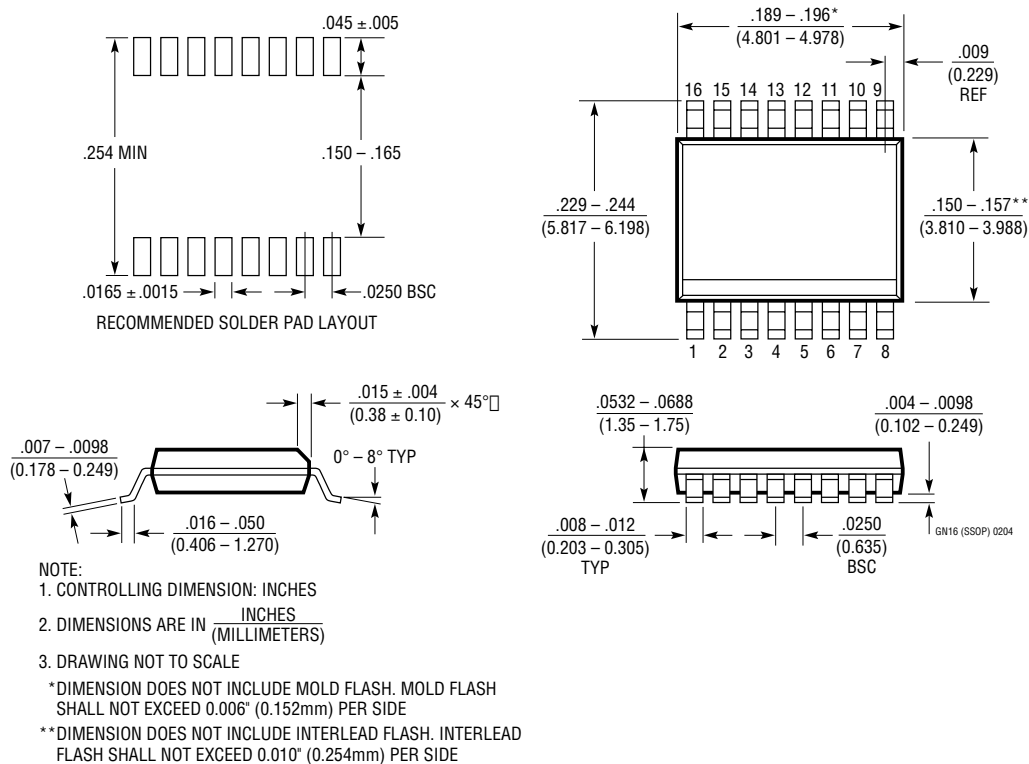


Figure 7. -48V to 3.3V Hot Swap Power Supply

## PACKAGE DESCRIPTION

### GN Package 16-Lead Plastic SSOP (Narrow .150 Inch) (Reference LTC DWG # 05-08-1641)



## APPLICATIONS INFORMATION

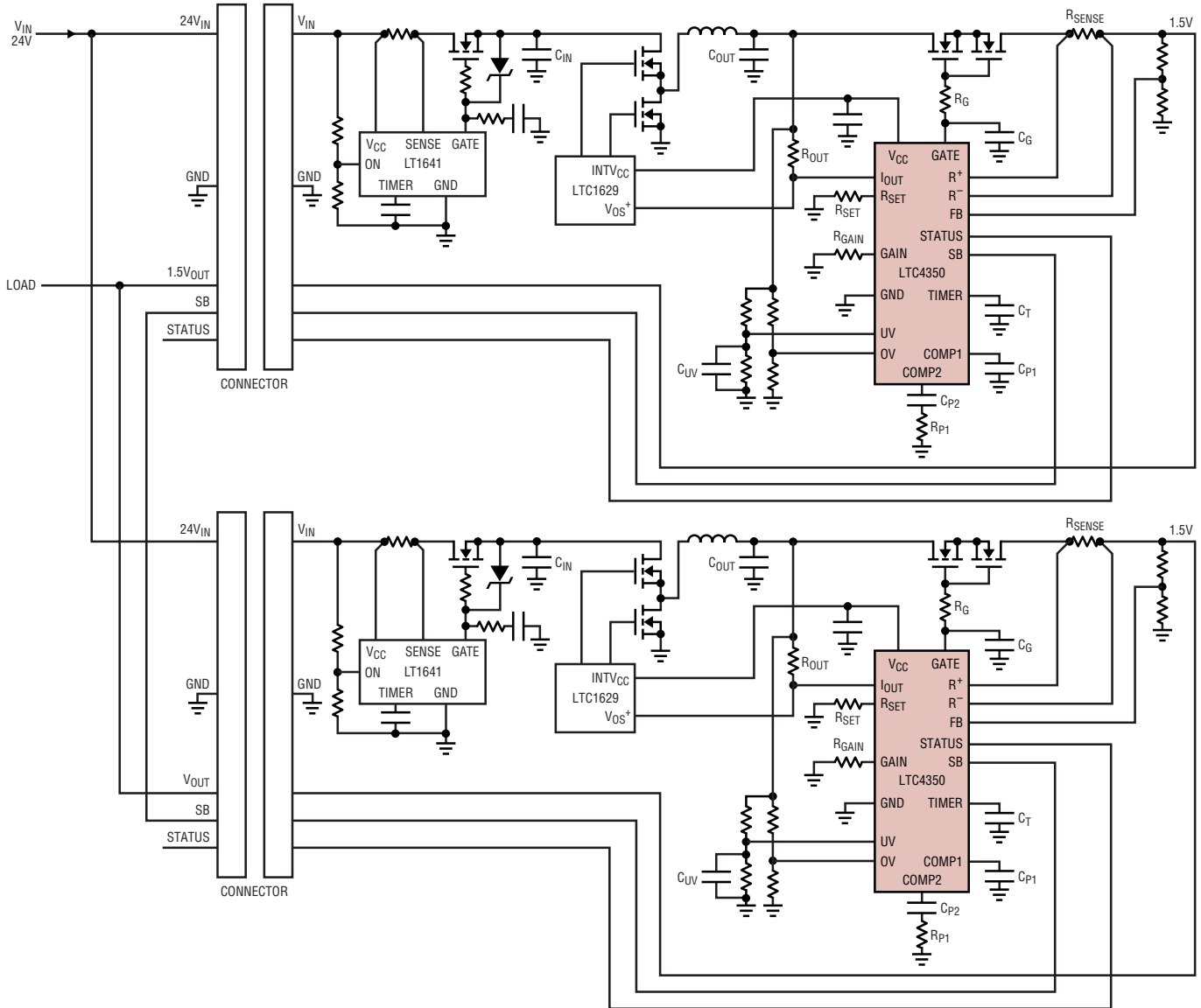


Figure 8. 24V to 1.5V Hot Swap Power Supply

## RELATED PARTS

PART NUMBER	DESCRIPTION	COMMENTS
LTC1421	Hot Swap Controller	Multiple Supplies from 3V to 12V and -12V
LT1640AL/LT1640AH	Negative Voltage Hot Swap Controllers	Negative High Voltage Supplies from -10V to -80V
LT1641	Positive Voltage Hot Swap Controller	Positive High Voltage Supplies from 9V to 90V
LTC1645	2-Channel Hot Swap Controller	Operates from 1.2V to 12V, Power Sequencing
LTC1646	Dual CompactPCI™ Hot Swap Controller	3.3V/5V Only with Precharge and Local Reset Logic
LTC1647-1/LTC1647-2	Dual Hot Swap Controllers	Dual ON Pins, Operates from 2.7V to 16.5V
LTC4211	Hot Swap Controller with Multifunction Circuit Breaker	2.5V to 16.5V Supplies and RESET Output
LTC4251	-48V Hot Swap Controller in ThinSOT™	Active Current Limiting, -15V to -100V Supplies

ThinSOT is a trademark of Linear Technology Corporation. CompactPCI is a trademark of the PCI Industrial Computer Manufacturers Group.

4350fa