

1. General Description

This 8-bit Micro-controller with built-in carrier generator uses a fully static CMOS technology to achieve high speed, small size, low power and high noise immunity.

On chip memory includes 512 words of ROM, and 28 bytes of static RAM.

2. Features

- ◆ Fully COMS static design
- ◆ 8-bit data bus
- ◆ On chip ROM size : 512 words
- ◆ Internal RAM size : 28 bytes
(24general purpose registers, 4 special registers)
- ◆ 34 single word instructions
- ◆ 14-bit instructions
- ◆ 2-level stacks
- ◆ Operating voltage : 2.0V ~ 6 V
- ◆ Addressing modes include direct, indirect and relative addressing modes
- ◆ Power-on Reset
- ◆ System clock : 455KHz crystal (OSC1 cap 50P; OSC2 cap 100P)
- ◆ PA0-7 : 8 input only pins with pull-high resistor and input low wakeup detect circuit.
- ◆ PB0 : CMOS output.
- ◆ PB1~7 : Seven open drain output pins.
- ◆ Built in remote control carrier synthesizer
Fosc/8 (56.9K) or Fosc/12 (37.9K) by firmware setting.
- ◆ 2048 clocks for oscillator start up time.

3. Applications

- Remote controller

4. Pin Assignment

P – PDIP, S - PSOP

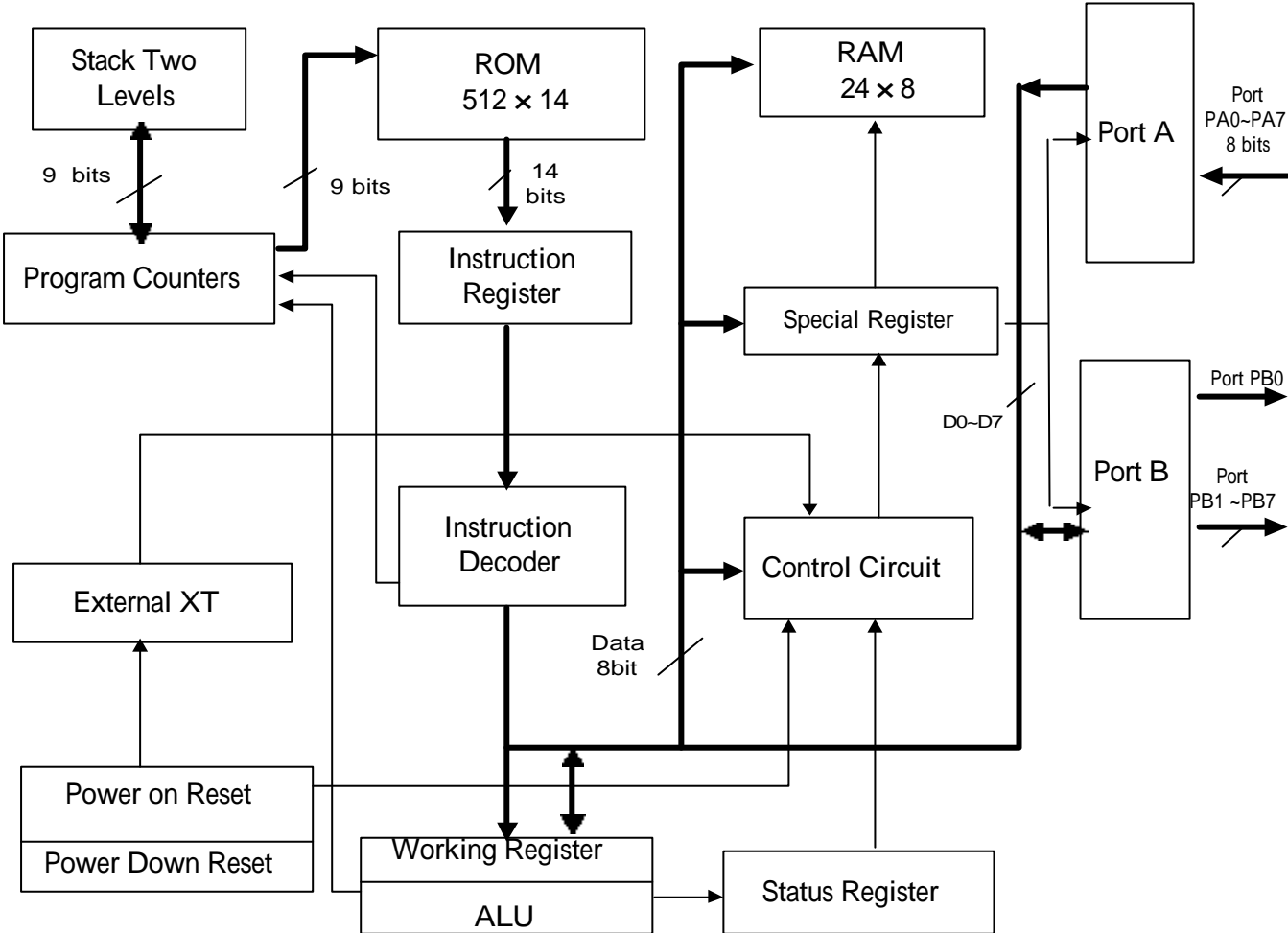
MDT10P43P11, MDT10P43S11

PA2	1	18	PA1
PA3	2	17	PA0
PA6	3	16	OSC1
PA7	4	15	OSC2
VSS	5	14	VDD
PB0	6	13	PB7
PB1	7	12	PB6
PB2	8	11	PB5
PB3	9	10	PB4

MDT10P43P21, MDT10P43S21

PA5	1	20	PA4
PA2	2	19	PA1
PA3	3	18	PA0
PA6	4	17	OSC1
PA7	5	16	OSC2
VSS	6	15	VDD
PB0	7	14	PB7
PB1	8	13	PB6
PB2	9	12	PB5
PB3	10	11	PB4

5. Block Diagram



6. Pin Function Description

Pin Name	I/O	Function Description
PA0~PA7	I	Port A, TTL input level. Built in 50K ohm pull-high resistor. In sleep mode, a high-to-low change on any pin will cause chip reset.
PB0	O	CMOS output pin
PB1~PB7	O	Port B open drain output pins, 50K ohm pull-high resistor.
OSC1	I	Crystal oscillation input pin
OSC2	O	Crystal oscillation output pin
Vdd		Power supply
Vss		Ground

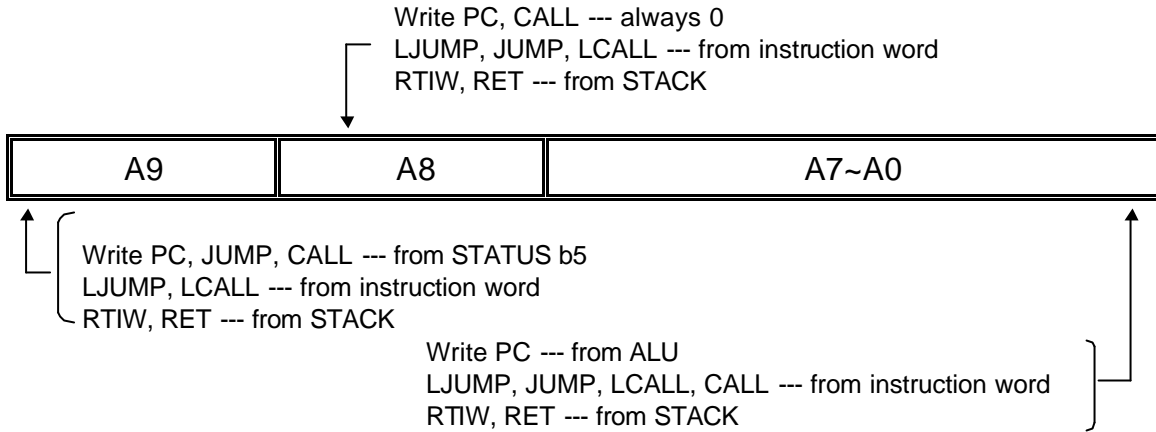
7. Memory Map

(A) Register Map

Address	Description
00	Indirect Addressing Register
01	Unimplemented
02	PC
03	STATUS
04	MSR
05	Port A (Input Only)
06	Port B output register (Using "CPIO PB" Instruction change to PB Output data only)
07	Unimplemented
08~1F	Internal RAM, General Purpose Register

(1) IAR (Indirect Address Register) : R0

(2) PC (Program Counter) : R2



(3) STATUS (Status register) : R3

Bit	Symbol	Function
0	C	Carry bit
1	HC	Half Carry bit
2	Z	Zero bit
3	PF	Power loss Flag bit
4	LPT	Low power detect =0 : Vdd is lower than 2.3 ~ 2.5V =1 : Vdd is higher than 2.3 ~ 2.5V
5	—	General purpose bit
6—7	—	Carrier frequency control bits =00 No carrier (default) =01 Fosc/8, 1/2 duty =10 Fosc/12, 1/2 duty =11 Fosc/12, 1/3 duty (1/3 – Hi ; 2/3 - Low)

(4) MSR (Memory Select Register) : R4

(5) PORT A : R5

Bit 7-0 : Port A data input

(6) CPIO PB : R6

Bit 7-1 : PB7-PB1 output register (open drain output)

Bit 0 : PB0 output register (CMOS output)

8. Reset Condition for all Registers

Register	Address	Power-On Reset
IAR	00h	-
PC	02h	1111 1111
STATUS	03h	0001 1xxx
MSR	04h	111x xxxx
PB Output data	06h	1111 1110

Note : “ x “= unknown, “ – “= unimplemented, read as “0”

10. Instruction Set

Instruction Code	Mnemonic Operands	Function	Operating	Status
010000 00000000	NOP	No operation	None	
010000 00000010	SLEEP	Sleep mode	0 WT, stop OSC	TF, PF
010000 00000100	RET	Return	Stack PC	None
010000 00000rrr	CPIO R	Control I/O port register	W CPIO r	None
010001 1rrrrrrr	STWR R	Store W to register	W R	None
011000 trrrrrrr	LDR R, t	Load register	R t	Z
111010 iiiiii	LDWI I	Load immediate to W	I W	None
010111 trrrrrrr	SWAPR R, t	Swap halves register	[R(0~3) ↔ R(4~7)] t	None
011001 trrrrrrr	INCR R, t	Increment register	R + 1 t	Z
011010 trrrrrrr	INCRSZ R, t	Increment register, skip if zero	R + 1 t	None
011011 trrrrrrr	ADDWR R, t	Add W and register	W + R t	C, HC, Z
011100 trrrrrrr	SUBWR R, t	Subtract W from register	R - W t (R+/W+1 t)	C, HC, Z
011101 trrrrrrr	DECR R, t	Decrement register	R - 1 t	Z
011110 trrrrrrr	DECRSZ R, t	Decrement register, skip if zero	R - 1 t	None
010010 trrrrrrr	ANDWR R, t	AND W and register	R W t	Z
110100 iiiiii	ANDWI i	AND W and immediate	i W W	Z
010011 trrrrrrr	IORWR R, t	Inclu. OR W and register	R W t	Z
110101 iiiiii	IORWI i	Inclu. OR W and immediate	i W W	Z
010100 trrrrrrr	XORWR R, t	Exclu. OR W and register	R W t	Z

This specification is subject to be changed without notice. Please visit our web site for the most updated information.

Instruction Code	Mnemonic Operands	Function	Operating	Status
110110 iiiiii	XORWI i	Exclu. OR W and immediate	i W W	Z
011111 trrrrrr	COMR R, t	Complement register	/R t	Z
010110 trrrrrr	RRR R, t	Rotate right register	R(n) R(n-1), C R(7), R(0) C	C
010101 trrrrrr	RLR R, t	Rotate left register	R(n) r(n+1), C R(0), R(7) C	C
010000 1xxxxxxx	CLRW	Clear working register	0 W	Z
010001 0rrrrrr	CLRR R	Clear register	0 R	Z
0000bb brrrrrr	BCR R, b	Bit clear	0 R(b)	None
0010bb brrrrrr	BSR R, b	Bit set	1 R(b)	None
0001bb brrrrrr	BTSC R, b	Bit Test, skip if clear	Skip if R(b)=0	None
0011bb brrrrrr	BTSS R, b	Bit Test, skip if set	Skip if R(b)=1	None
1000nn nnnnnnn	LCALL n	Long CALL subroutine	n PC, PC+1 Stack	None
1010nn nnnnnnn	LJUMP n	Long JUMP to address	n PC	None
110000 nnnnnnn	CALL n	Call subroutine	n PC, PC+1 Stack	None
110001 iiiiii	RTIW i	Return, place immediate to W	Stack PC, i W	None
11001n nnnnnnn	JUMP n	JUMP to address	n PC	None

Note :

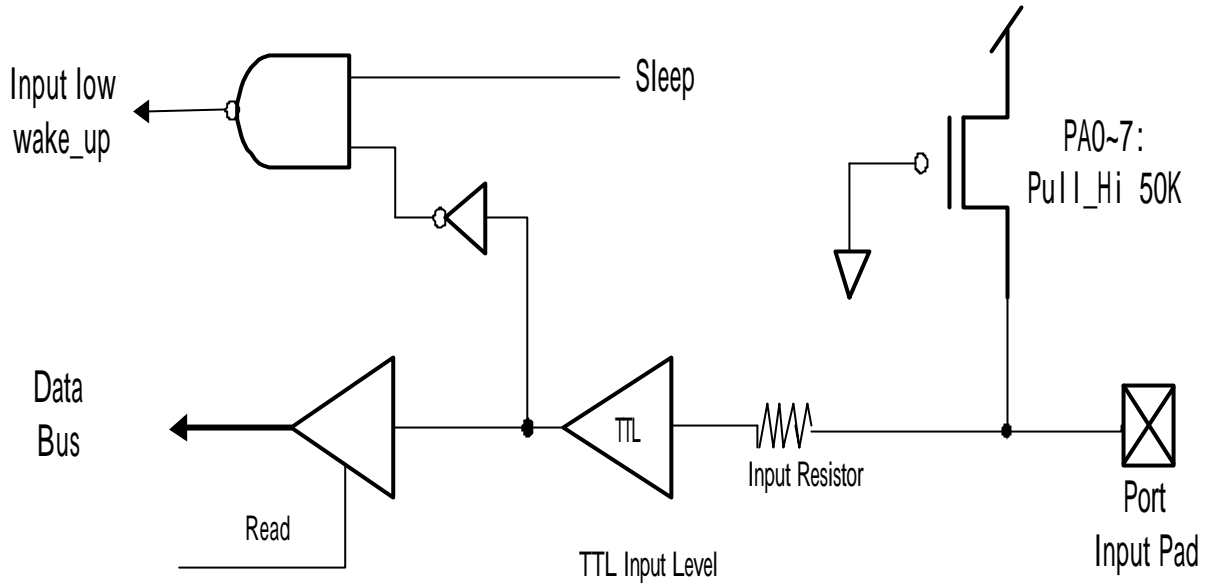
W	: Working register	b	: Bit position
CPIO	: Control I/O port register	t	: Target
HC	: Half carry	0	: Working register
Z	: Zero flag	1	: General register
C	: Carry flag		
PF	: Power loss flag	R	: General register address
PC	: Program Counter	i	: Immediate data (8 bits)
OSC	: Oscillator	n	: Immediate address
Inclu.	: Inclusive ' '	/	: Complement
Exclu.	: Exclusive ' '	x	: Don't care
AND	: Logic AND ' '		

11. Electrical Characteristics

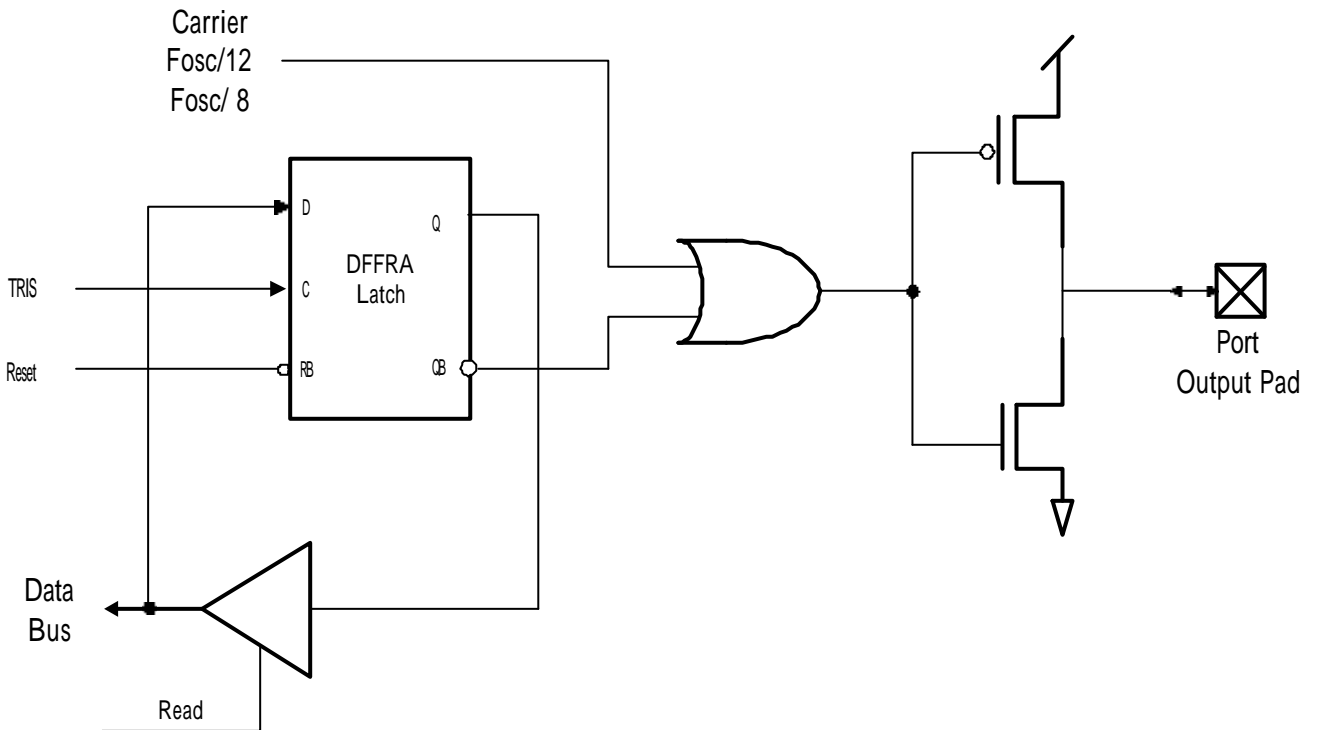
(Operating temperature at 25).

Sym	Description	Condition	Min	Typ	Max	Unit
V _{dd}	Operating voltage		2.0		6.0	V
V _{IL}	Input Low Voltage PA	V _{dd} =5V	-0.6		1.0	V
V _{IH}	Input high Voltage PA	V _{dd} =5V	2.0		V _{dd} +0.6	V
I _{IL}	Input leakage current	V _{dd} =5V			+/-1	μA
V _{OL}	Output Low Voltage PB	V _{dd} =5V, I _{OL} =20mA V _{dd} =5V, I _{OL} =5mA		0.6		V
				0.2		V
V _{OH}	Output High Voltage PB0	V _{dd} =5V, I _{OH} = -20mA V _{dd} =5V, I _{OH} = -5mA		2.8		V
				4.2		V
V _{pr}	Power Edge-detector Reset Voltage			1.8		V

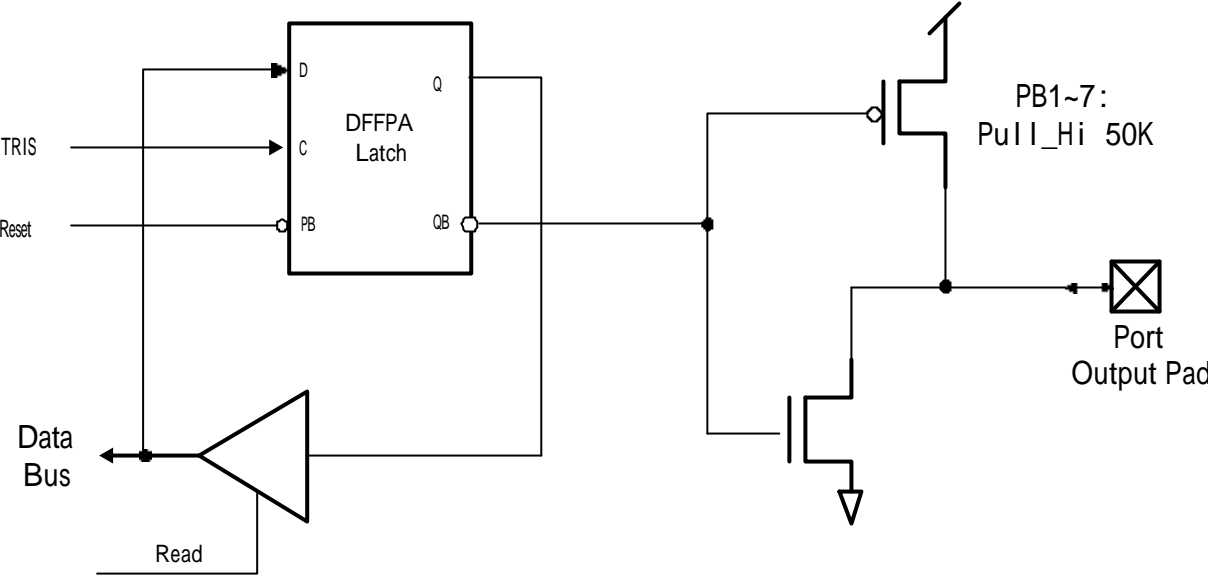
12. PA0 ~ PA7 Equivalent Circuit

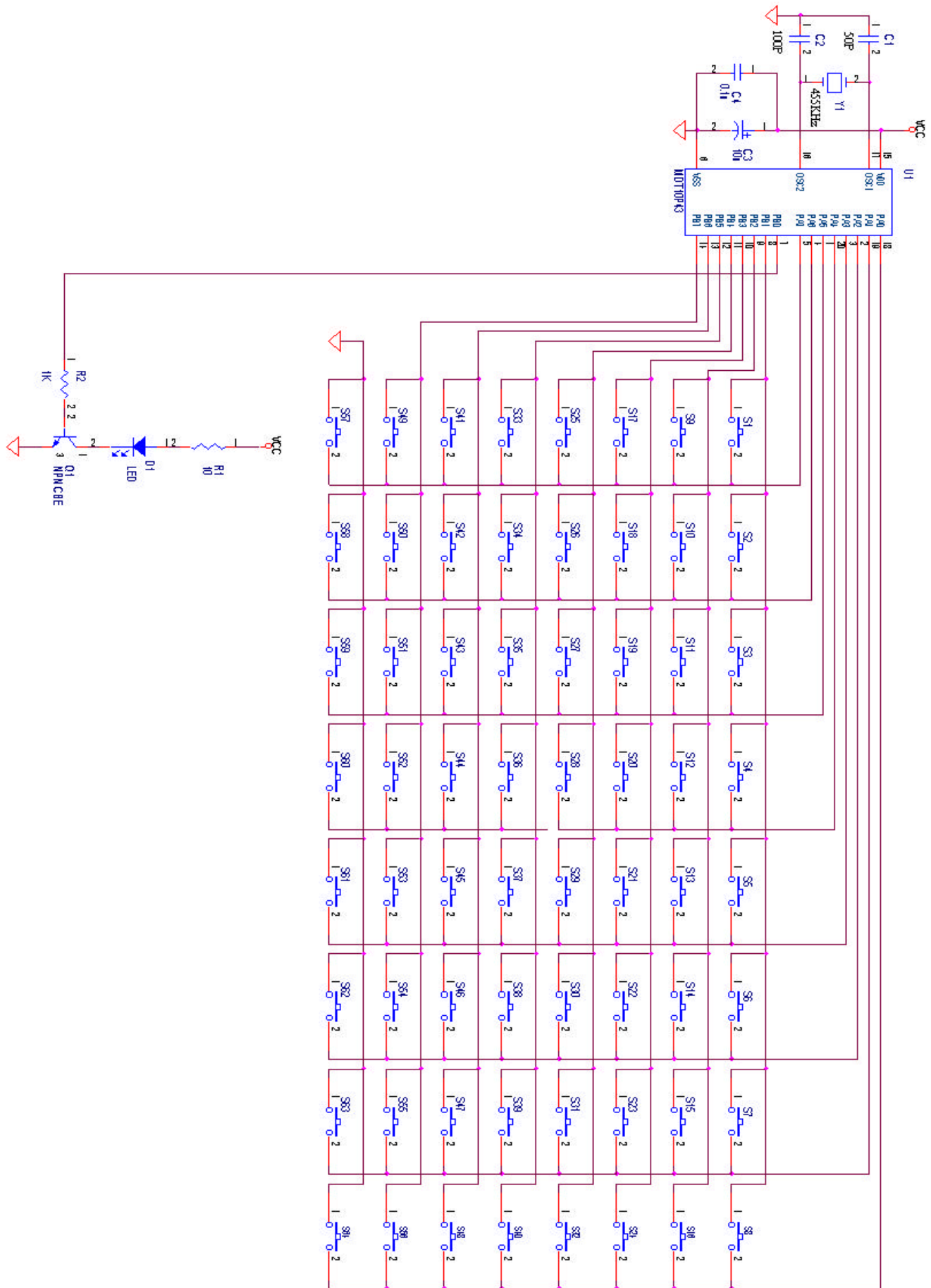


13. (A) PB0 Equivalent Circuit



(B) PB1~7 Equivalent Circuit





This specification is subject to be changed without notice. Please visit our web site for the most updated information.