



VOICE	
M5109	

9 SEC VOICE

9 秒 語 音 IC

**FEATURES 功能敘述**

- LO : BusyH, BusyL, StopH, StopL, 3 Hz, 6 Hz, 1/4 1/2 3/4 level.
- PW1 : PWM output 1.
- PW2 : PWM output 2.
- TG : OSH LH CONT RETRIG IRRETRIG
- Debounce time : 10ms 50  $\mu$ s
- Voice + Mute length MAX. 5.3 sec, repeat 8 times.

**APPLICATION 產品應用**

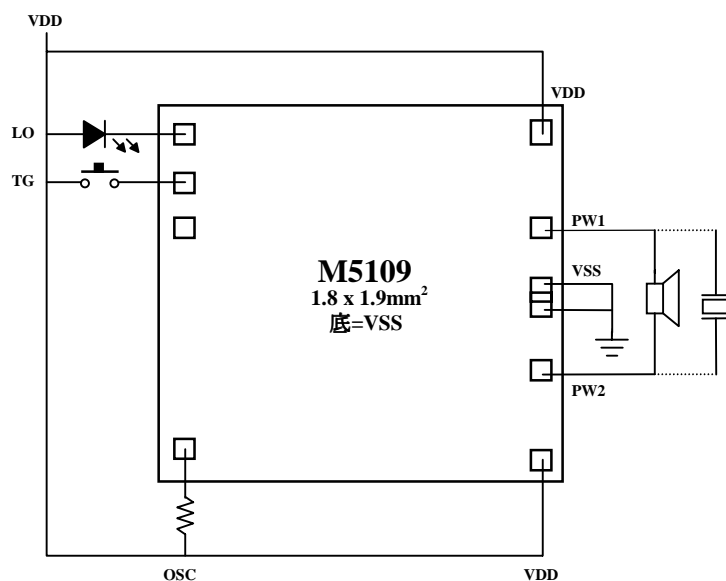
- Toy s, Clock, Pager, Game etc..

**ELECTRICAL CHARACTERISTICS 電氣規格**

( @V<sub>DD</sub>=3V unless otherwise specified )

Characteristics	Sym.	Min.	Typ.	Max.	Unit	REMARKS
工作電壓 Operating Voltage	V <sub>DD</sub>	2.4	3	5.0	V	
工作電流 Operating Current	I <sub>OP</sub>	—	0.2	1	mA	No load
靜態電流 Quiescent Current	I <sub>SB</sub>	—	1	5	$\mu$ A	
推動電流 AUD Driving Current	I <sub>O</sub>	—	-3	—	mA	@ Vout=0.7V, Full Scale
推動電流 LO Driving Current	I <sub>OH</sub>	1	—	—	mA	@ Vout=2V
	I <sub>OL</sub>	3	—	—		@ Vout=1.0V
振盪頻率 Oscillator Frequency	F <sub>OSC</sub>	—	768	—	KHz	External $\pm$ 30%, Rosc=K $\Omega$
工作溫度 Operating Temperature	Temp.	-10	25	60	$^{\circ}$ C	

**APPLICATION DIAGRAM 參考電路圖**



\*All specs and applications shown above subject to change without prior notice.

( 以上電路及規格僅供參考,本公司得逕行修正 )