

UTC UM66TXXL LINEAR INTEGRATED CIRCUIT

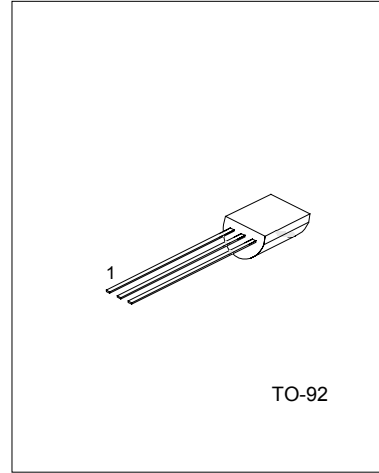
MELODY INTEGRATED CIRCUIT

DESCRIPTION

The UTC UM66TXXL series are CMOS LSI designed for using in door bell, telephone and toy application. It is an on-chip ROM programmed for musical performance. Produced by CMOS technology, the device results in very low power consumption. Since the UTC UM66TXXL series include oscillation circuits a compact melody module can be constructed with only a few additional components.

FEATURES

- *64-Note Rom memory
- *1.5V ~ 4.5V power supply and low power consumption
- *Dynamic speaker can be driven with external NPN transistor
- *OSC resistor hold mode
- *Power on reset: melody begins from the first note
- *Built in level hold mode



1: VSS 2: VDD 3: O/P(Melody output)

ORDERING INFORMATION

UTC UM66T X X L
└──┬──┘ LEVEL HOLD Mode
└──┘ Song series

SONG SERIES LIST

P/N	SONG NAME
UTC UM66T05L	Home sweet home
UTC UM66T19L	For Alice
UTC UM66T32L	COO COO waltz

UTC UM66TXXL LINEAR INTEGRATED CIRCUIT

ABSOLUTE MAXIMUM RATINGS (Operating temperature range applies unless otherwise specified.)

PARAMETER	SYMBOL	VALUE	UNIT
DC supply voltage		1.5 ~ 4.5	V
Operating Ambient Temperature Range	T _{opr}	-10 ~ +60	°C
Storage Temperature Range	T _{str}	-55 ~ +125	°C

Notes:

Stress above those listed under absolute maximum ratings may cause permanent damage to the device. These are stress ratings only. Functional operations of this device at these or any other conditions above those indicated in the operational section of this specification is not implied and exposure to absolute maximum ratings conditions for extended periods may affect device reliably.

ELECTRICAL CHARACTERISTICS (V_{ss}=0V, F_{osc}=65536Hz, T_j=25°C, unless otherwise specified)

PARAMETER	SYMBOL	TEST CONDITIONS	MIN	TYP	MAX	UNIT
Operating Voltage	BV _{dd}		1.5		4.5	V
Operating Current	I _d	V _{dd} =1.5V O/P open			60	μA
O/P Drive Current	I _{o/p}	V _{dd} =1.3V, O/P=0.8V	400	600		μA
O/P Sink Current	I _{o/p}	V _{dd} =1.3V O/P=0.5V open	350	450		μA
Frequency Deviation Deviation Per Lot	ΔF/F	V _{dd} =1.5V	-12			%
Frequency Stability	ΔF/F	$\frac{F_{osc}(1.6V) - F_{osc}(1.3V)}{F_{osc}(1.3V)}$	10			%

FUNCTIONAL DESCRIPTION

OSCILLATOR CIRCUIT

The oscillator frequency is used as a time for tone and beat generators. Its accuracy affects the quality of the music.

TONE GENERATOR

Tone Frequencies are oscillator frequencies-M, where m is any even number from 64 to 256. Within a melody 14C scales can be selected including Pause code and End code. The tone generator is a programmed divider, The Range of Scales is from "C4" to "C6" and range of frequency varies from 258Hz to 23768Hz.

RHYTHM GENERATOR

The rhythm generator is also programmed dividers. It contain 15 available rhythms as follows: 1/4, 1/2, 3/4, 1, 1-1/4, 1-1/2, 1-3/4, 2, 2-1/4, 2-1/2, 2-3/4, 3, 3-1/4, 3-1/2, 3-3/4. Four rhythms can be selected from these.

MELODY ROM

The Mask Rom can memorize 64 notes with 6 bit. 4 bits are used for controlling the scale code and 2 bits are used for controlling the rhythm code.

TEMPO GENERATOR

There are 15 available tempos in the UTC UM66T series. The 15 tempos are: 128, 137, 148, 160, 175, 192, 213, 240, 274, 320, 480, 640, 960, 1920 J/minute.

UTC UM66TXXL LINEAR INTEGRATED CIRCUIT

APPLICATION CIRCUITS

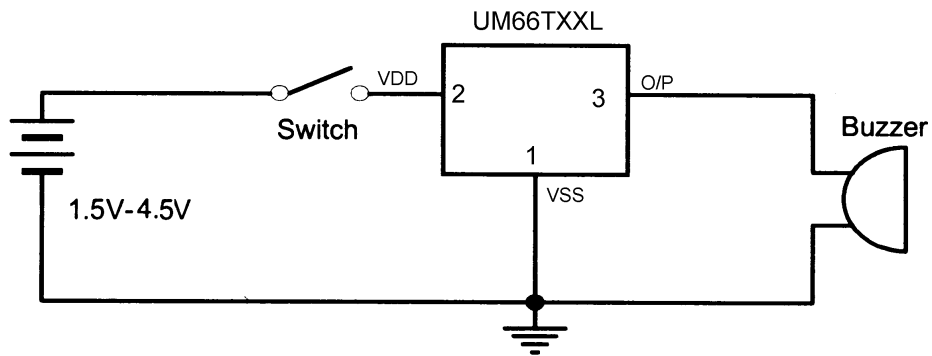


Fig.1

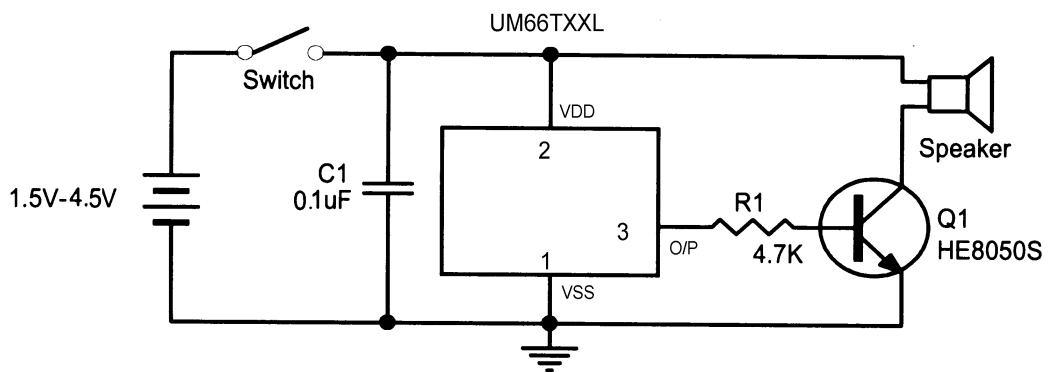


Fig.2

UTC UM66TXXL LINEAR INTEGRATED CIRCUIT

DIMENSION (TO-92)

