

Ultra Mini Serial Connectors IAM-G41, CAM-G38SD

FEATURES

1. Ultra-small size realized for 8 pins.
2. It is the most suitable for the connection with PC peripheral equipment with PCs, PDAs, mobile phones and so on.
3. Utilizes a sequential function that slides power supply and signal contact connection timing.
4. Couple/decouple reliability ensured for 3,000 times.
5. Weight : 0.25g (CAM-G38)



HOW TO ORDER

1. IAM-G41

G41-008-

- 1 Series No. (G41)
- 2 No. of contacts (008 : 8pins)
- 3 Running No. assigned by us
- 4 Cable length (Standard)
A : 300mm, B : 500mm, C : 800mm
D : 1000mm, E : 1300mm, F : 1500mm

2. CAM-G38SD

G38SD-008-6517A

- 1 Series No. (G38SD)
- 2 No. of contacts (008 : 8pins)
- 3 Running No. assigned by us

SPECIFICATIONS

ELECTRICAL CHARACTERISTICS

Rated Voltage	AC 5V (rms)
Rated Current	0.5A
Withstanding Voltage	100V AC (rms) 1minute
Insulation Resistance	100MΩ min. (at 500V AC)
Contact Resistance	50mΩ max.

MECHANICAL CHARACTERISTICS

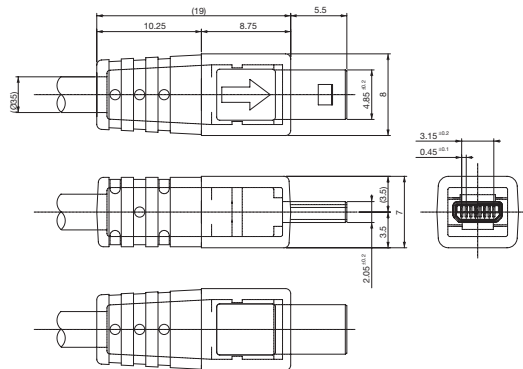
Life (Matching Cycle)	1,500 times
Total Insertion Force	35N (3.57kgf) max.
Total Withdrawal Force	1N (0.1kgf) min.

MATERIAL & FINISH

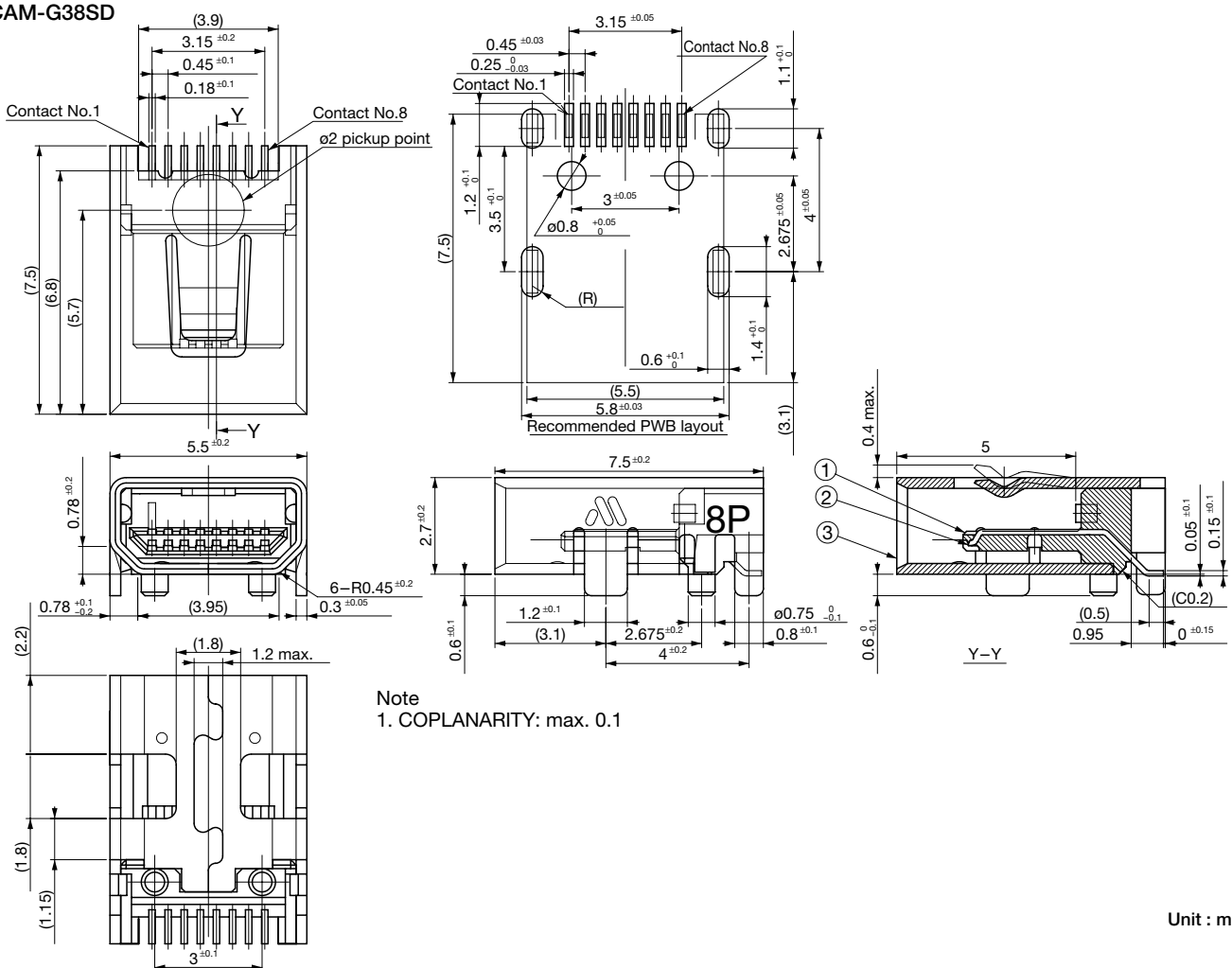
Component parts		Material	Finish
IAM-G41	Housing	Thermo plastic	(Black)
	Contact	Copper alloy	Gold plating
	Shield Case	Steel	Nickel plating
	Over mold	PVC resin	Optional
CAM-G38SD	Cable	PVC resin	Optional
	Housing	Thermo plastic	(Black)
	Contact	Copper alloy	Gold plating
	Shield Case	Copper alloy	Gold flash plating

DIMENSIONS

IAM-G41



CAM-G38SD



Unit : mm