

1.3A LOW DROPOUT POSITIVE FIXED REGULATOR

FEATURES

- **Stable with Ceramic Capacitor**
- Guaranteed < 1.3V Dropout at Full Load Current
- Fast Transient Response
- Output Current Limiting
- Built-In Thermal Shutdown

DESCRIPTION

The IRU1011-33 is a fixed linear regulator and it is capable of supplying 1.3A of continuous current over line and temperature range. The IRU1011-33 is stable with low value ceramic capacitors, allowing designers flexibility in external component selection. The output is protected by both current limit and thermal shutdown.

APPLICATIONS

- High Efficiency Linear Regulator
- Hard Disk Drivers, CD-ROMs, DVDs
- ADSL and Cable Modems

TYPICAL APPLICATION

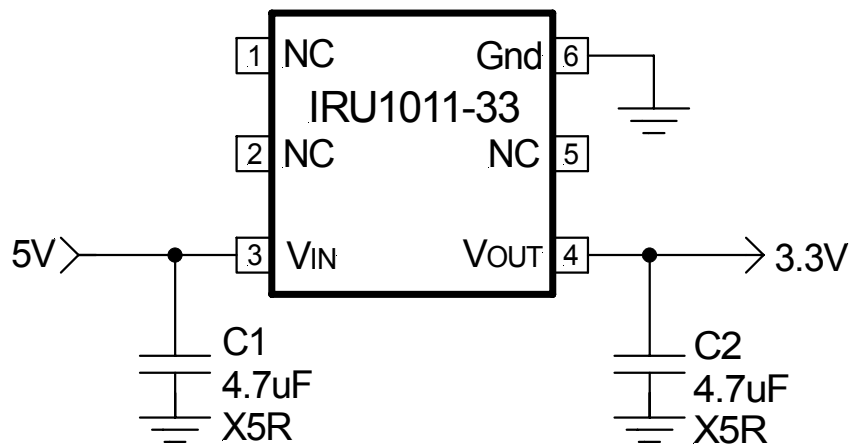


Figure 1 - Typical application of IRU1011-33.

PACKAGE, SHIPMENT and ORDER INFORMATION

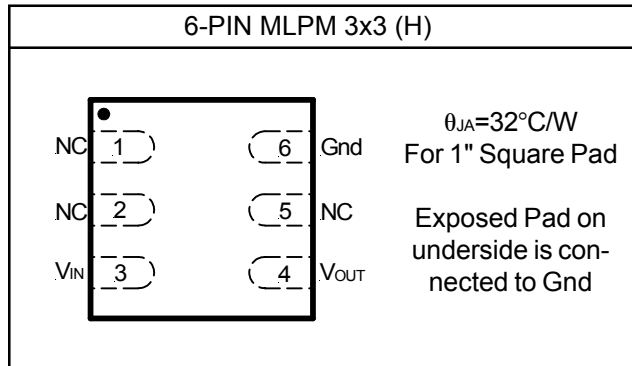
PKG DESIGN	PACKAGE DESCRIPTION	PIN COUNT	PARTS PER TUBE	PARTS PER REEL	T & R Orientation
H	IRU1011-33CH	6	-----	-----	n/a
H	IRU1011-33CH(PbF)	6	3000	3000	Fig A

ABSOLUTE MAXIMUM RATINGS

Input Voltage (V_{IN})	10V
Operating Junction Temperature Range	0°C To 150°C
Operating Ambient Temperature Range	-40°C To 125°C
Storage Temperature Range	-65°C To 150°C

CAUTION: Stresses above those listed in "Absolute Maximum Ratings" may cause permanent damage to the device.

PACKAGE INFORMATION



ELECTRICAL SPECIFICATIONS

Unless otherwise specified, these specifications apply over $V_{IN}=4.5\text{V}$ to 7V , $I_{OUT}=2\text{mA}$ to 1.3A , $C_{IN}=C_{OUT}=4.7\mu\text{F}$ and $0^{\circ}\text{C}<T_J<150^{\circ}\text{C}$.

PARAMETER	SYM	TEST CONDITION	MIN	TYP	MAX	UNITS
Output Voltage 3.3V	$V_{O(3.3)}$	$4.75\text{V}<V_{IN}<5.25\text{V}$, $5\text{mA}\leq I_O\leq 1.3\text{A}$: $T_J=25^{\circ}\text{C}$ $0^{\circ}\text{C}\leq T_J\leq 150^{\circ}\text{C}$	3.234 3.2175	3.3 3.3	3.366 3.3825	V
Line Regulation	RegLINE	$4.75\text{V}<V_{IN}<5.25\text{V}$, $I_O=10\text{mA}$		5	15	mV
Load Regulation	RegLOAD	$V_{IN}=4.75\text{V}$, $10\text{mA}\leq I_O\leq 1.3\text{A}$		8	12	mV
Dropout Voltage $\Delta V_{OUT}=-1\%$	V_D	$I_O=1.3\text{A}$		1.1	1.3	V
Current Limit	I_S	$V_{IN}=5.5\text{V}$	1.3	1.9		A
Minimum Output Current	$I_{O(MIN)}$	Note 3, 5		0	2	mA
Temperature Stability	T_S	Note 4, 5		1.5		%
RMS Output Noise	V_N	$T_J=25^{\circ}\text{C}$, $10\text{Hz}<BW<10\text{KHz}$, Note 5		0.003		% V_O
Ripple Rejection (V_{IN} to Output)	R_A	$V_{IN}=5\text{V}$, Note 5, $f=120\text{Hz}$	60	65		dB
Thermal Shutdown	$T_{J(SD)}$	$4.75\text{V}<V_{IN}<5.25\text{V}$, $0\text{mA}\leq I_O\leq 1.3\text{A}$, Note 5	150	155		$^{\circ}\text{C}$
Quiescent Current	I_{GND}	$V_{IN}\leq 7\text{V}$, $2\text{mA}\leq I_O\leq 1.3\text{A}$ $V_{IN}=5\text{V}$, $0\text{mA}\leq I_O\leq 50\text{mA}$, $T_J=25^{\circ}\text{C}$		4.3 <4.2	5.4	mA
Transient Response Change of V_{OUT} with Step Load Change	$\frac{\Delta V_{OUT}}{\Delta I_{OUT}}$	$V_{IN}=5\text{V}$, $10\text{mA}<I_O<1.3\text{A}$, $t_r\geq 1\mu\text{s}$ $V_{IN}=5\text{V}$, 1.3A to 10mA , $t_r\geq 1\mu\text{s}$ $C_{IN}=C_{O}=10\mu\text{F}$, X7R & Note 5		5 5	± 10 ± 10	%
Transient Response Change of V_{OUT} with Application of V_{IN}	$\frac{\Delta V_{OUT}}{\Delta V_{IN}}$	0 to 5V step input, $t_r\geq 1\mu\text{s}$, $1\text{mA}\leq I_O\leq 1.3\text{A}$, $C_{IN}=C_{O}=10\mu\text{F}$, X7R, Note 5		1	± 10	%
Transient Response Short Circuit Removal Response	$\frac{\Delta V_{OUT}}{\Delta I_{OUT}}$ @ $I_O=Short$	$V_{IN}=5\text{V}$, $Short\leq I_O\leq 10\text{mA}$, $C_{IN}=C_{O}=10\mu\text{F}$, X7R, Note 5		1	± 20	%

Note 1: Low duty cycle pulse testing with Kelvin connections is required in order to maintain accurate data.

Note 2: Dropout voltage is defined as the minimum differential voltage between V_{IN} and V_{OUT} required to maintain regulation at V_{OUT} . It is measured when the output voltage drops 1% below its nominal value.

Note 3: Minimum load current is defined as the minimum current required at the output in order for the output voltage to maintain regulation.

Note 4: Temperature stability is the change in output from nominal over the operating temperature range.

Note 5: Guaranteed by design, but not tested in production.

PIN DESCRIPTIONS

PIN #	PIN SYMBOL	PIN DESCRIPTION
1,2,5	NC	No connection.
3	V_{IN}	The power input pin of the regulator. A minimum of input capacitance must be connected from this pin to ground to insure that the input voltage does not sag below the minimum dropout voltage during the load transient response. This pin must always be higher than the V_{OUT} pin by the amount of dropout voltage (see electrical specification) in order for the device to regulate properly.
4	V_{OUT}	The output of the regulator. A minimum of output capacitance must be connected from this pin to ground to insure stability.
6	Gnd	This pin is connected with ground. It is also the tab of the package.

BLOCK DIAGRAM

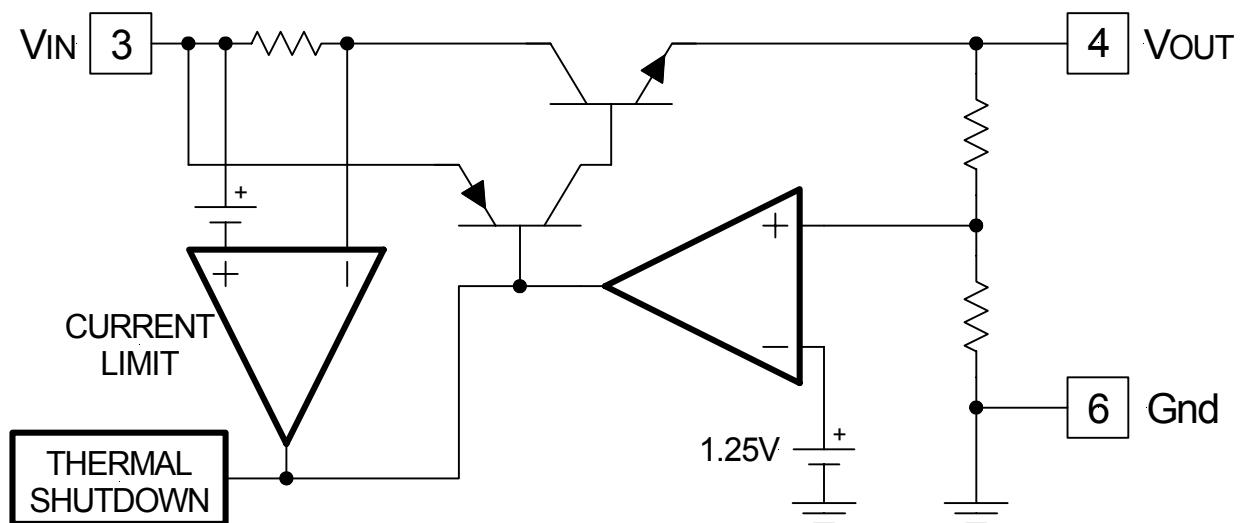


Figure 2 - Simplified block diagram of the IRU1011-33.

APPLICATION INFORMATION

Introduction

The IRU1011-33 regulator is a 3-terminal device offered in a fixed output of 3.3V and it is designed specifically to provide an extremely low dropout voltage.

The IRU1011-33 is designed to meet the fast current transient needs as well as providing an accurate initial voltage, reducing the overall system cost with the need for fewer number of output capacitors.

Thermal Protection

When the junction temperature exceeds 150°C, the internal thermal protection shuts the IRU1011-33 down.

Current Limit Protection

The IRU1011-33 provides Over Current Protection when the output current exceeds typically 2A. The output decreases to limit the power dissipation.

Stability

The IRU1011-33 requires the use of an output capacitor as part of the frequency compensation in order to make the regulator stable. A minimum input capacitance of 4.7 μ F and a minimum output capacitance 4.7 μ F Ceramic capacitor is needed for regulator stage as well as the specified minimum loads to guarantee stability.

Transient Response and PSRR

The input and output capacitors are critical in order to ensure good transient response and PSRR. The most important aspects of this are capacitor selection, placement and trace routing. Place each capacitor as close as physically possible to its corresponding regulator pin. Use wide traces for a low inductance path. Couple directly to the ground and power planes as possible. The use of low ESR capacitors is crucial to achieving good results. Larger capacitance and lower ESR will improve both PSRR and transient response.

Thermal Design

The IRU1011-33 incorporates an internal thermal shut-down that protects the device when the junction temperature exceeds the allowable maximum junction temperature. Although this device can operate with junction temperatures in the range of 150°C, it is recommended that the selected heat sink be chosen such that during maximum continuous load operation the junction temperature is kept below this number. The example below shows the steps in selecting the proper surface mount package.

Assuming, the following conditions:

$$\begin{aligned}V_{OUT} &= 3.3V \\V_{IN} &= 5V \\I_{OUT} &= 1A \text{ (DC Avg)}\end{aligned}$$

Calculate the maximum power dissipation using the following equation:

$$\begin{aligned}P_D &= I_{OUT} \times (V_{IN} - V_{OUT}) \\P_D &= 1 \times (5 - 3.3) = 1.7W\end{aligned}$$

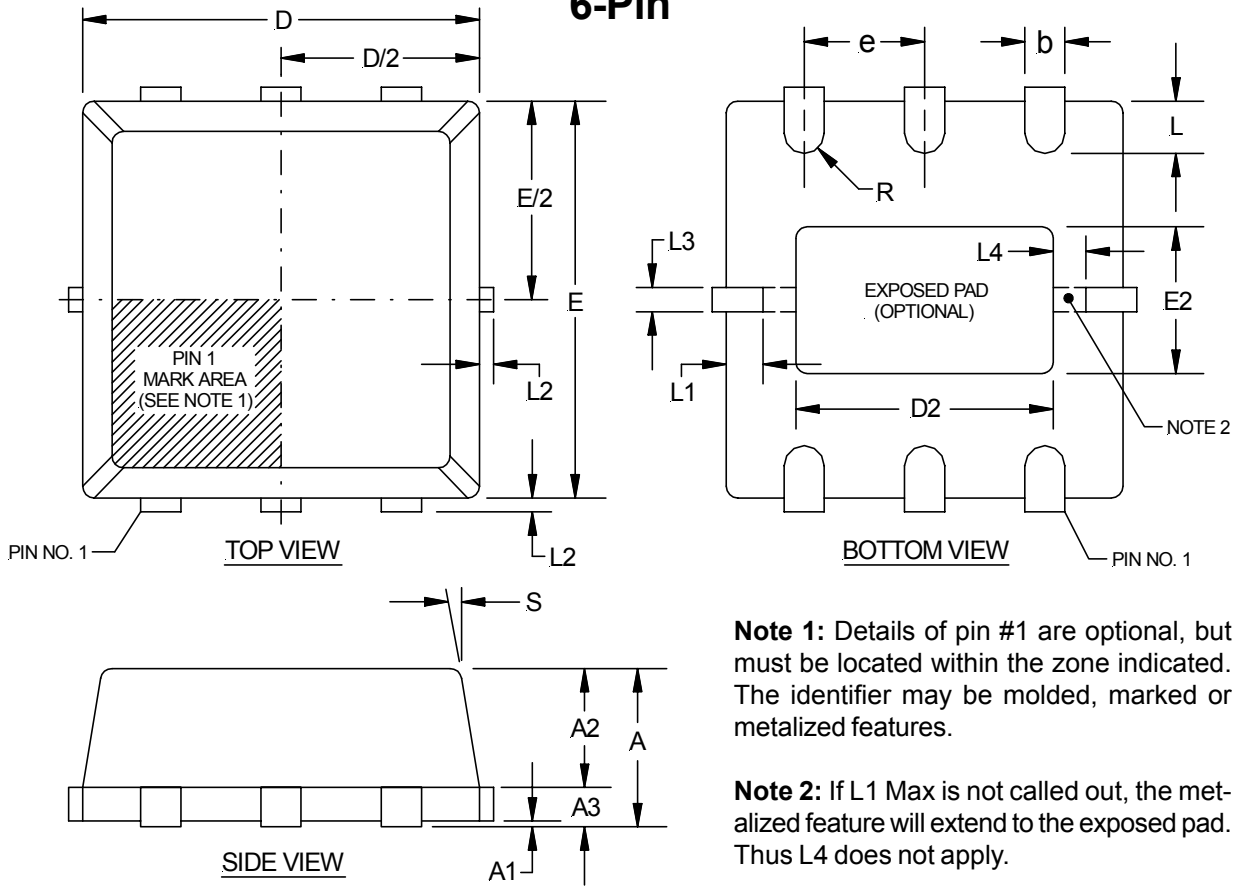
For MLPM package, we have:

$$\begin{aligned}R_{THJA} &= 32^\circ\text{C/W} \\T_A &= 45^\circ\text{C} \\ \Delta T &= P_D \times R_{THJA} = 1.7 \times 32 = 54.4 \\T_J &= T_A + \Delta T = 99.4^\circ\text{C}\end{aligned}$$

Layout Consideration

The IRU1011-33, like many other high-speed regulators, requires that the output capacitors be close to the device for stability. For power consideration, a ground plane pad of approximately one-inch square on the component side must be dedicated to the device where all Gnd pins are connected to dissipate the power. If a multilayer board is used, it is recommended that the inner layers of the board are also dedicated to the size of the pad for better thermal characteristics.

**(H) MLPM Package
 6-Pin**

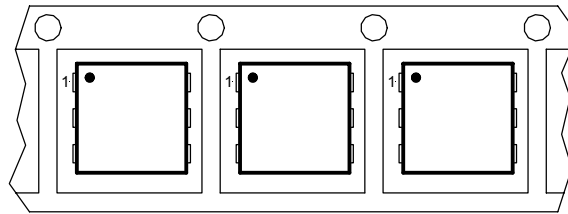


Note 1: Details of pin #1 are optional, but must be located within the zone indicated. The identifier may be molded, marked or metalized features.

Note 2: If L1 Max is not called out, the metalized feature will extend to the exposed pad. Thus L4 does not apply.

SYMBOL	6-PIN 3x3		
	MIN	NOM	MAX
A	0.80	0.90	1.00
A1	0.00	0.025	0.05
A2	0.65	0.70	0.75
A3	0.15	0.20	0.25
b	0.33	0.35	0.43
D	3.00 BSC		
D2	1.92	2.02	2.12
E	3.00 BSC		
E2	1.11	1.21	1.31
e	0.95		
L	0.20	0.29	0.45
L1	0.16	0.24	0.40
L2	---	---	0.125
L3	0.17	---	0.30
L4	0.17	---	---
R	0.127 REF		
S	0°	10°	12°

NOTE: ALL MEASUREMENTS ARE IN MILLIMETERS.



Feed Direction
Figure A - Live Bug