

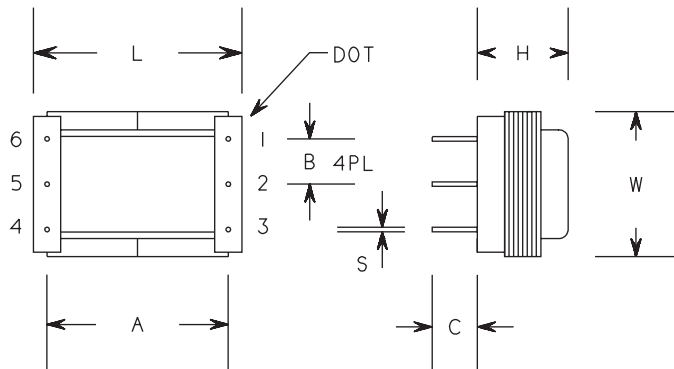
TLA4891 series transformers are designed to interface telecommunications equipment to a telephone line, capable of handling unbalanced DC.

**Applications:**

- Low profile.
- Up to 90 mA unbalanced line current.
- Exceeds the requirements of FCC Part 68 and CS 03.

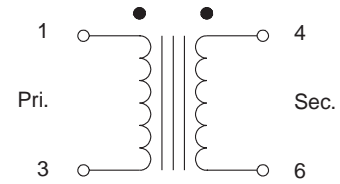


## MECHANICAL

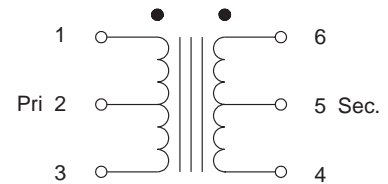


DIMENSIONS, Inches (mm)

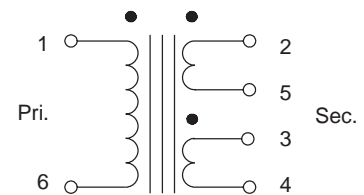
P/N	L	W	H	A	B	C	S (DIA)
TLA4891	1.25 (31.8)	0.81 (20.4)	0.50 (12.7)	0.95 (24.13)	0.20 (5.08)	0.20 (5.08)	0.027 (0.68)



TLA4891-1



TLA4891-2



TLA4891-3

## ELECTRICAL

		TLA4891-1	TLA4891-2	TLA4891-3
Line Impedance	Pri.	600 Ω	600 Ω c.t.	600 Ω
	Sec.	600 Ω	600 Ω c.t	150/150 Ω
Turns Ratio	Pri. : Sec.	1 : 1	1 : 1	1 : 1
Winding Resistance, Ohms nom.	Pri.	75	75	75
	Sec.	100	100	50 +50
Insertion Loss	@ 1000 Hz	1.7 dB	1.7 dB	1.7 dB
Frequency Response	300 - 3500 Hz	- 2.5 dB	- 2.5 dB	- 2.5 dB
Longitudinal Balance	300 - 3500 Hz	65 dB	65 dB	65 dB
Return Loss	300 - 3500 Hz	> 14.5 dB	> 14.5 dB	> 14.5 dB
DC Capability		90 mA	90 mA	90 mA
Dielectric Strength		1500 Vrms	1500 Vrms	1500 Vrms

ISSUE: C 95/04/11 TLA4891