

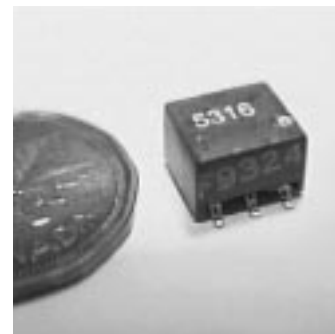
TEW5316 is designed and approved to be used as a transmit transformer in CEPT applications with the following devices:

- **STC TEL5219L**

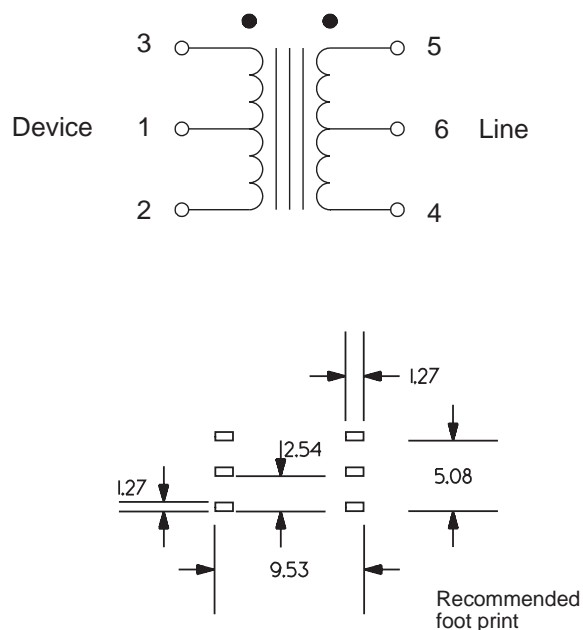
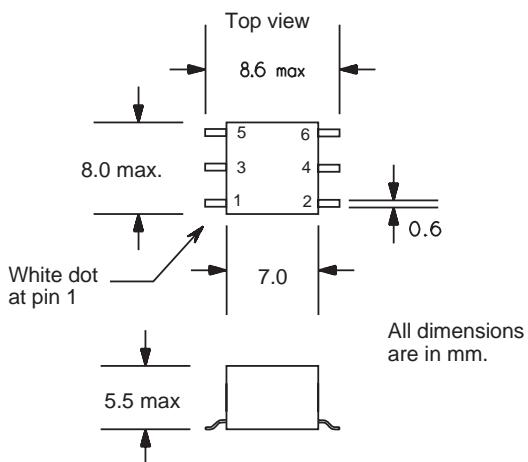
Complies with CCITT G.703 and I.431 with regards to Longitudinal Balance, Pulse Mask and Impedance.

Typical applications are:

- Primary rate ISDN network nodes.
- PBX or computer to T1/CEPT Digital Trunks.
- TDM Multiplexers.



MECHANICAL



ELECTRICAL SPECIFICATION

TEW5316

Line Impedance	(4-5)	120 Ω
Turns ratio	(2-1) : (1-3) : (4-5)	1 : 1 : 0.71
Inductance (mH)	(2-1)&(1-3)	> 0.5
Longitud. Bal.		I.431
Pulse Mask		G.703
Dielectric Strength (Vrms)		1500

ISSUE: A 94/11/07 TEW5316.chp