

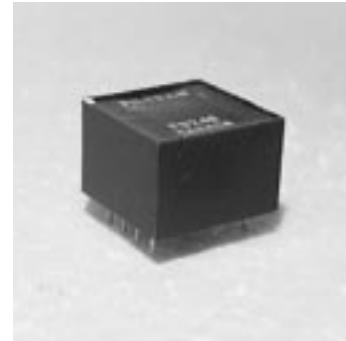
TEW5252-1 is designed to interface with the subscribers premises (NT) and the 2-wire line side of the Central Office Equipment (LT) in the ISDN Network.

TEW5252-1 meets the electrical requirements for the **AT&T T7262** device, and complies with the ANSI T1.601 specification.

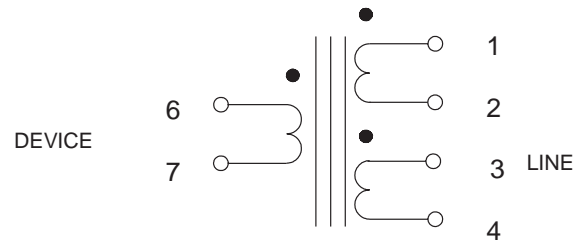
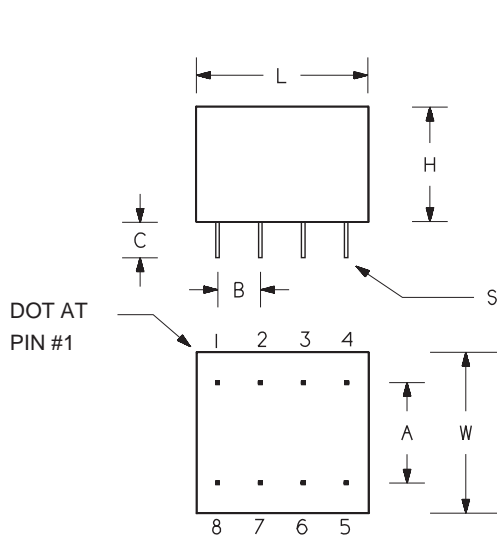
Designed to meet the requirements BS6301 for reinforced insulation, clearance and creepage distances.

Applications:

- High performance ANSI 2B1Q line code.
- Low profile construction.
- Up to 30 mA line current.
- Exceeds the requirements of **EN60950** and **EN41003**.



MECHANICAL



DIMENSIONS, Inches (mm)

P/N	L	W	H	A	B	C	S
TEW5252	0.87 (22.0)	0.83 (21.0)	0.63 (16.0)	0.60 (15.3)	0.20 (5.1)	0.12 (3.0)	0.025 (0.64)

ELECTRICAL SPECIFICATIONS

TEW5252-1

Devices		
Line Impedance		135 Ω
Inductance	(1-2)+(3-4)	80 - 120 mH
Leakage Inductance (short 2-3 & 1-4)	(6-7)	< 35 μH
Winding Resistance	(1-2) + (3-4)	13.5 - 16.5 Ω
	(6-7)	4 - 5.5 Ω
Turns Ratio	(6-7):(1-2):(3-4)	1 : 1.25 : 1.25
DC Capability (Line Side)	(1 - 4)	30 mA
Dielectric Strength		4000 V rms

TEW5252.chp

94/12/14

Issue: B