

# The RF Line Gallium Arsenide CATV Integrated Amplifier Module

**MMG1001R2**

**870 MHz  
 19 dB GAIN  
 132-CHANNEL  
 CATV INTEGRATED AMPLIFIER  
 MODULE**

**Features**

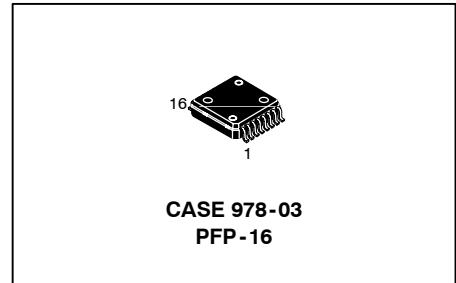
- Specified for 79-, 112- and 132-Channel Loading
- Excellent Distortion Performance
- Built-in Input Diode Protection
- GaAs FET Transistor Technology
- Unconditionally Stable Under All Load Conditions
- In Tape and Reel. R2 Suffix = 1,500 Units per 16 mm, 13 inch Reel.

**Applications**

- CATV Systems Operating in the 40 to 870 MHz Frequency Range
- Input Stage Amplifier in Optical Nodes, Line Extenders and Trunk Distribution Amplifiers for CATV Systems
- Output Stage Amplifier on Applications Requiring Low Power Dissipation and High Output Performance
- Driver Amplifier in Linear General Purpose Applications

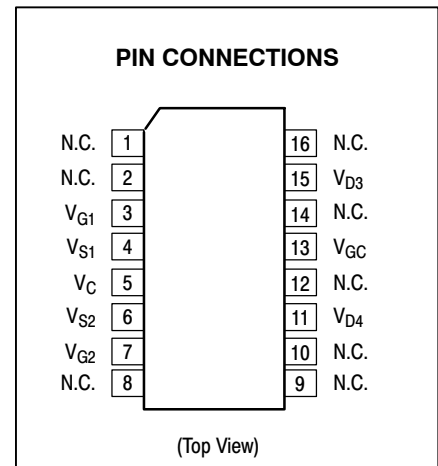
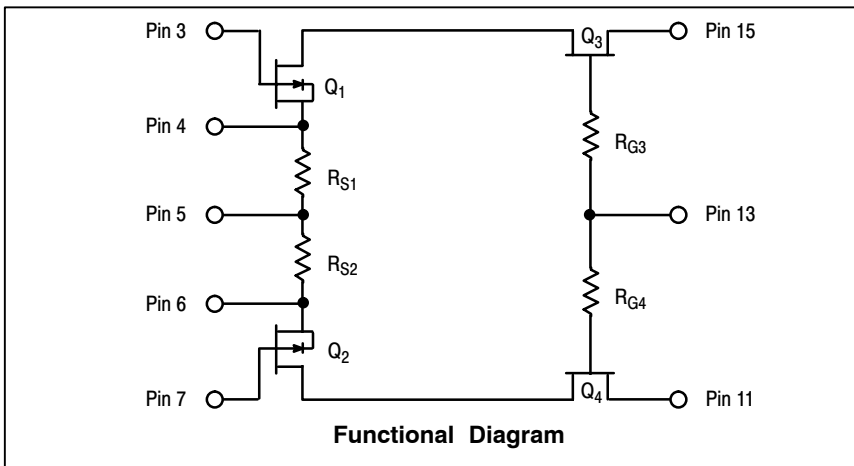
**Description**

- 24 Vdc Supply or 12 Vdc Supply with Bias Change, 40 to 870 MHz, CATV Integrated Forward Amplifier Module



**MAXIMUM RATINGS**

Rating	Symbol	Value	Unit
RF Voltage Input (Single Tone)	$V_{in}$	+65	dBmV
DC Supply Voltage 24 V Application 12 V Application	$V_{CC}$	+26 +14	Vdc
Operating Case Temperature Range	$T_C$	-20 to +100	°C
Storage Temperature Range	$T_{stg}$	-40 to +100	°C



**NOTE:** MMG1001R2 Moisture Sensitivity Level (MSL) = 3.

# Freescale Semiconductor, Inc.

## ESD PROTECTION CHARACTERISTICS

Test Conditions	Class
Human Body Model	1 (minimum)
Machine Model	M1 (minimum)
Charge Device Model	C5 (minimum)

## THERMAL CHARACTERISTICS

Characteristic	Symbol	Max	Unit
Thermal Resistance, Junction to Case	$R_{\theta JC}$	6.6	$^{\circ}\text{C}/\text{W}$

## ELECTRICAL CHARACTERISTICS FOR 24 V APPLICATION ( $V_{CC} = 24 \text{ Vdc}$ , $T_C = +30^{\circ}\text{C}$ , 75 $\Omega$ system unless otherwise noted)

Characteristic	Symbol	Min	Typ	Max	Unit	
Frequency Range	BW	40	—	870	MHz	
Power Gain	$G_p$	50 MHz	—	18	dB	
		870 MHz	—	19		
Slope	S	—	0.6	—	dB	
Gain Flatness (40 - 870 MHz, Peak to Valley)	$G_F$	—	0.5	—	dB	
Input Return Loss ( $Z_o = 75 \text{ Ohms}$ )	IRL	f = 40-160 MHz	—	21	dB	
		f = 161-450 MHz	—	19		
		f = 451-870 MHz	—	22		
Output Return Loss ( $Z_o = 75 \text{ Ohms}$ )	ORL	f = 40-400 MHz	—	22	dB	
		f = 401-870 MHz	—	17		
Composite Second Order	$CSO_{132}$	( $V_{out} = +44 \text{ dBmV/ch.}$ , Worst Case) 132-Channel FLAT	—	-65	-58	dBc
		( $V_{out} = +46 \text{ dBmV/ch.}$ , Worst Case) 112-Channel FLAT	—	-65	-59	
		( $V_{out} = +48 \text{ dBmV/ch.}$ , Worst Case) 79-Channel FLAT	—	-71	-62	
Cross Modulation Distortion @ Ch 2	$XMD_{132}$	( $V_{out} = +44 \text{ dBmV/ch.}$ , FM = 55 MHz) 132-Channel FLAT	—	-64	-52	dBc
		( $V_{out} = +46 \text{ dBmV/ch.}$ , FM = 55 MHz) 112-Channel FLAT	—	-63	-52	
		( $V_{out} = +48 \text{ dBmV/ch.}$ , FM = 55 MHz) 79-Channel FLAT	—	-62	-52	
Composite Triple Beat	$CTB_{132}$	( $V_{out} = +44 \text{ dBmV/ch.}$ , Worst Case) 132-Channel FLAT	—	-63	-56	dBc
		( $V_{out} = +46 \text{ dBmV/ch.}$ , Worst Case) 112-Channel FLAT	—	-64	-56	
		( $V_{out} = +48 \text{ dBmV/ch.}$ , Worst Case) 79-Channel FLAT	—	-65	-58	
Noise Figure	NF	50 MHz	—	4	5.0	dB
		870 MHz	—	4	5.0	
DC Current ( $V_{DC} = 24 \text{ V}$ , $T_C = -20^{\circ}$ to $+100^{\circ}\text{C}$ )	$I_{DC}$	230	250	265	mA	

(continued)

Freescale Semiconductor, Inc.

# Freescale Semiconductor, Inc.

## ELECTRICAL CHARACTERISTICS FOR 12 V APPLICATION ( $V_{CC} = 12 \text{ Vdc}$ , $T_C = +30^\circ\text{C}$ , $75 \Omega$ system unless otherwise noted)

Characteristic	Symbol	Min	Typ	Max	Unit
Frequency Range	BW	40	—	870	MHz
Power Gain	$G_p$	—	18	—	dB
50 MHz		—	19	—	
870 MHz		—	—	—	
Slope	S	—	0.6	—	dB
Gain Flatness (40 - 870 MHz, Peak to Valley)	$G_F$	—	0.5	—	dB
Input Return Loss ( $Z_o = 75 \text{ Ohms}$ )	IRL	—	—	—	dB
f = 40 - 160 MHz		—	21	—	
f = 161 - 450 MHz		—	19	—	
f = 451 - 870 MHz		—	19	—	
Output Return Loss ( $Z_o = 75 \text{ Ohms}$ )	ORL	—	—	—	dB
f = 40 - 400 MHz		—	19	—	
f = 401 - 750 MHz		—	17	—	
f = 751 - 870 MHz		—	15	—	
Composite Second Order		—	—	—	dBc
( $V_{out} = +42 \text{ dBmV/ch.}$ , Worst Case)	112-Channel FLAT			-65	
( $V_{out} = +42 \text{ dBmV/ch.}$ , Worst Case)	79-Channel FLAT			-71	
CSO <sub>112</sub>		—	—	—	
CSO <sub>79</sub>		—	—	—	
Cross Modulation Distortion @ Ch 2		—	—	—	dBc
( $V_{out} = +42 \text{ dBmV/ch.}$ , FM = 55 MHz)	112-Channel FLAT			-63	
( $V_{out} = +42 \text{ dBmV/ch.}$ , FM = 55 MHz)	79-Channel FLAT			-62	
XMD <sub>112</sub>		—	—	—	
XMD <sub>79</sub>		—	—	—	
Composite Triple Beat		—	—	—	dBc
( $V_{out} = +42 \text{ dBmV/ch.}$ , Worst Case)	112-Channel FLAT			-64	
( $V_{out} = +42 \text{ dBmV/ch.}$ , Worst Case)	79-Channel FLAT			-65	
CTB <sub>112</sub>		—	—	—	
CTB <sub>79</sub>		—	—	—	
Noise Figure	NF	—	4	5.0	dB
50 MHz		—	4	5.0	
870 MHz		—	4	5.0	
DC Current ( $V_{DC} = 12 \text{ V}$ , $T_C = -20^\circ$ to $+100^\circ\text{C}$ )	$I_{DC}$	190	210	225	mA

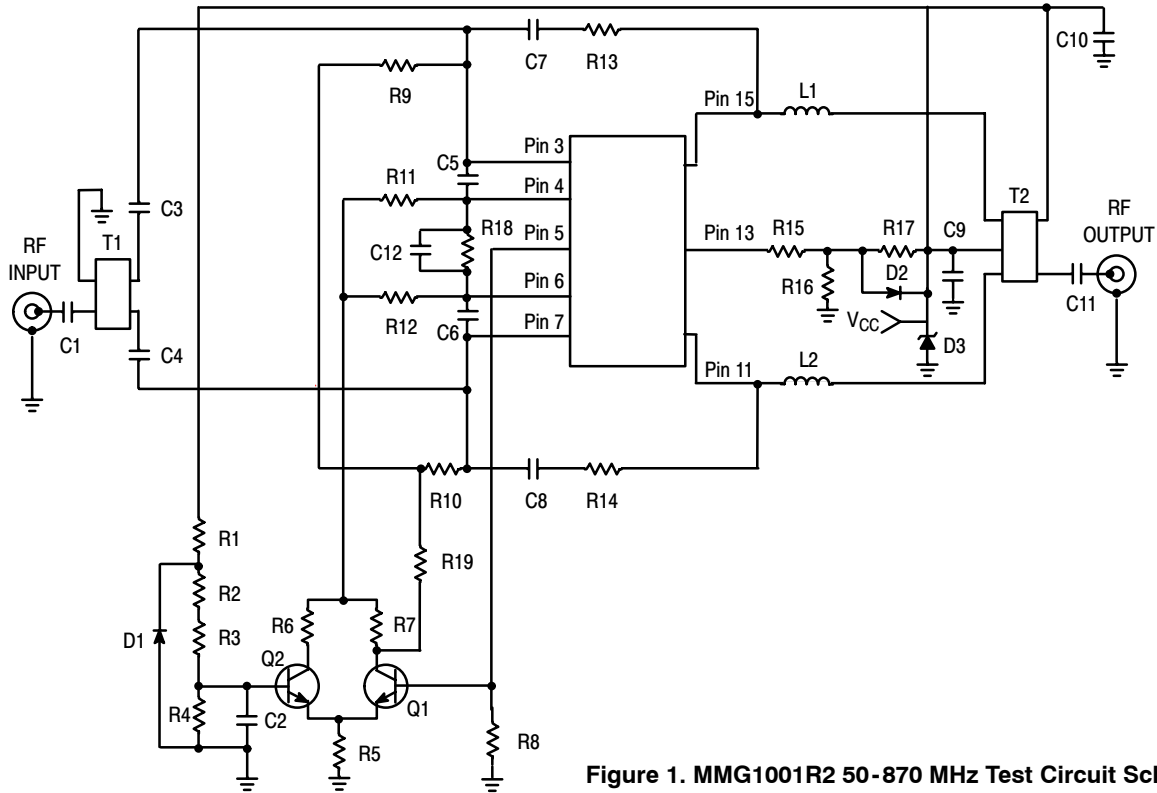


Figure 1. MMG1001R2 50-870 MHz Test Circuit Schematic

Table 1. MMG1001R2 50-870 MHz Test Circuit Component Designations and Values

Designation	Description (24 V Application)	Description (12 V Application)
C1, C7, C8, C11	220 pF Chip Capacitors (0603)	220 pF Chip Capacitors (0603)
C2, C3, C4, C9, C10	0.01 $\mu$ F Chip Capacitors (0603)	0.01 $\mu$ F Chip Capacitors (0603)
C5, C6	1.8 pF Chip Capacitors (0603)	1.8 pF Chip Capacitors (0603)
C12	5.6 pF Chip Capacitor (0603)	5.6 pF Chip Capacitor (0603)
D1	5.1 V Zener Diode, On/MM3Z5V1T1	5.1 V Zener Diode, On/MM3Z5V1T1
D2	27 V Zener Diode, On/MM3Z27VT1	27 V Zener Diode, On/MM3Z27VT1
D3	Transient Voltage Suppressor, On/1.5k27A/1.5SMC27AT3	Transient Voltage Suppressor, On/1.5k27A/1.5SMC27AT3
L1, L2	22 nH Chip Inductors (0603)	22 nH Chip Inductors (0603)
Q1, Q2	Dual Transistors Package, On/MBT3904DW1T1	Dual Transistors Package, On/MBT3904DW1T1
R1	2.2 k $\Omega$ , 1/4 W Chip Resistor (1206)	820 $\Omega$ , 1/4 W Chip Resistor (1206)
R2	560 $\Omega$ Chip Resistor (0603)	560 $\Omega$ Chip Resistor (0603)
R3	82 $\Omega$ Chip Resistor (0603)	40 $\Omega$ Chip Resistor (0603)
R4	820 $\Omega$ Chip Resistors (0603)	150 $\Omega$ Chip Resistors (0603)
R5	820 $\Omega$ Chip Resistors (0603)	100 $\Omega$ Chip Resistors (0603)
R6	120 $\Omega$ Chip Resistor (0603)	120 $\Omega$ Chip Resistor (0603)
R7	1.5 k $\Omega$ Chip Resistor (0603)	1.5 k $\Omega$ Chip Resistor (0603)
R8	12 $\Omega$ , 1 W Chip Resistor (2512)	4.8 $\Omega$ , 1 W Chip Resistor (2512)
R9, R10, R15	470 $\Omega$ Chip Resistors (0603)	470 $\Omega$ Chip Resistors (0603)
R11, R12	18 $\Omega$ Chip Resistors (0603)	18 $\Omega$ Chip Resistors (0603)
R13, R14	910 $\Omega$ Chip Resistors (0603)	910 $\Omega$ Chip Resistors (0603)
R16	2 k $\Omega$ Chip Resistor (0603)	2.7 k $\Omega$ Chip Resistor (0603)
R17	6.2 k $\Omega$ Chip Resistor (0603)	6.2 k $\Omega$ Chip Resistor (0603)
R18	15 $\Omega$ Chip Resistor (0603)	15 $\Omega$ Chip Resistor (0603)
R19	0 $\Omega$ Chip Resistor (0603)	0 $\Omega$ Chip Resistor (0603)
T1	Input Transformer, Mot/77PC016E068	Input Transformer, Mot/77PC016E068
T2	Output Transformer, Mot/77PC016E061	Output Transformer, Mot/77PC016E061
PCB	FR4, 62 mil, $\epsilon_r = 4.81$	FR4, 62 mil, $\epsilon_r = 4.81$

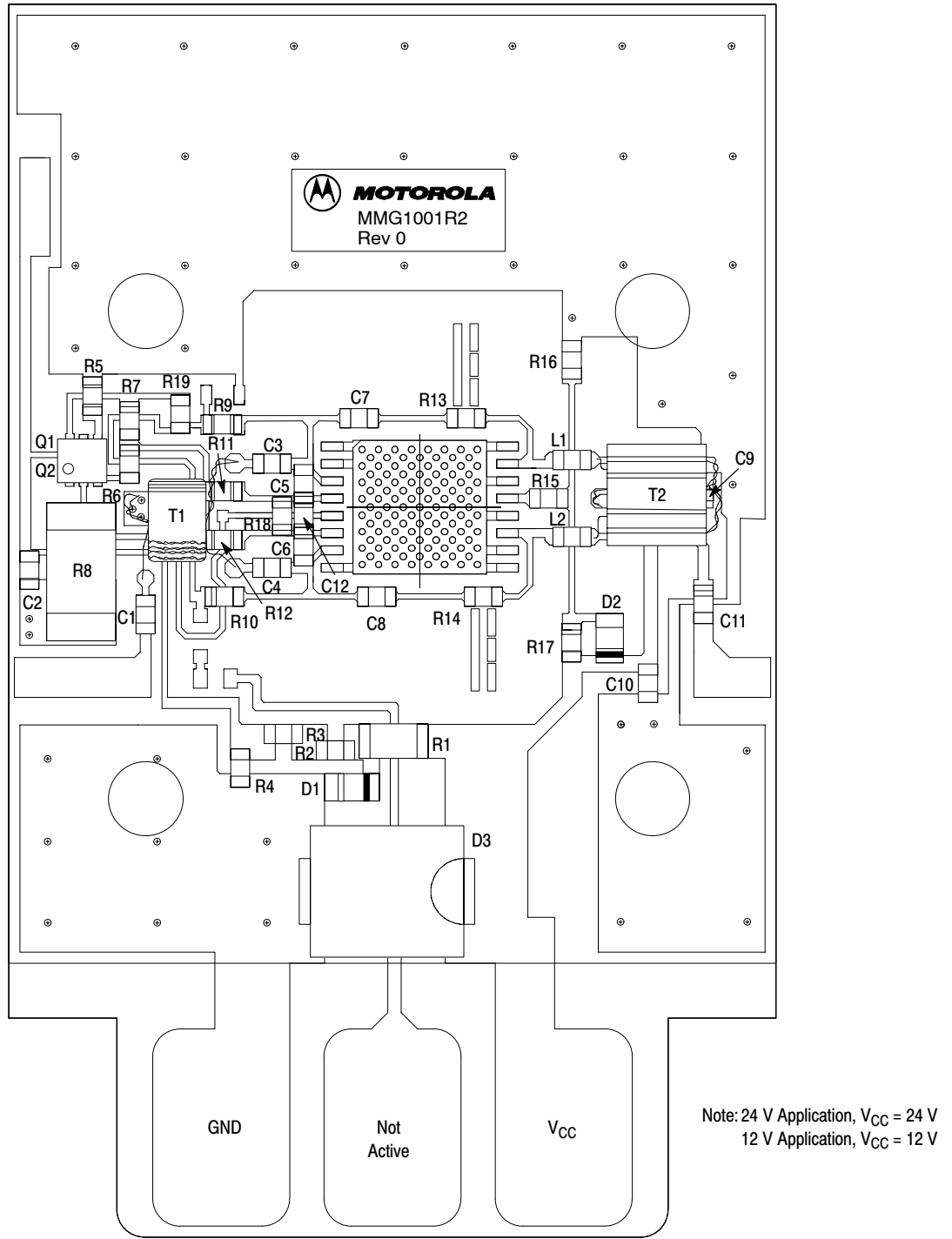
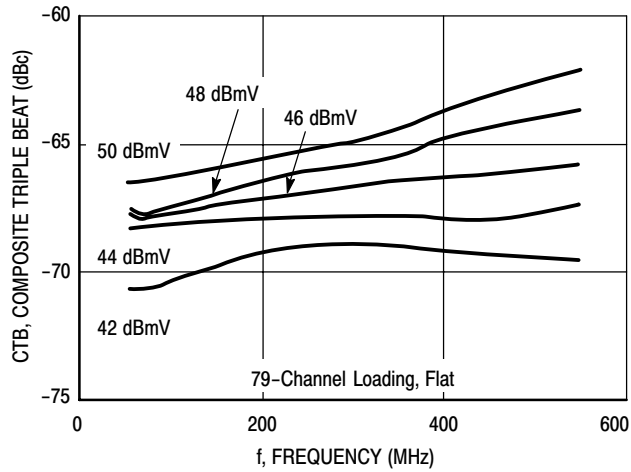


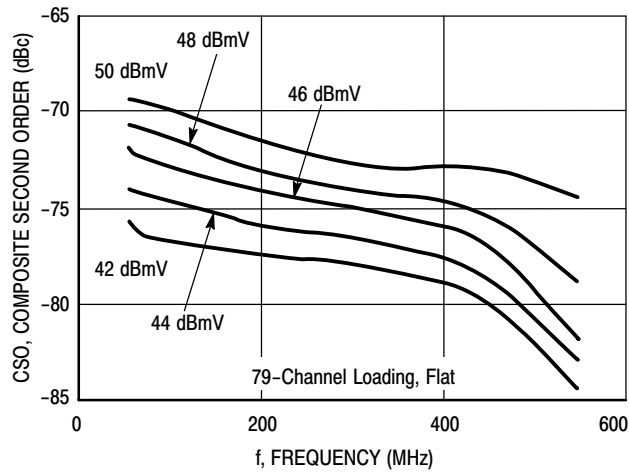
Figure 2. MMG1001R2 50-870 MHz Test Circuit Component Layout

# Freescale Semiconductor, Inc.

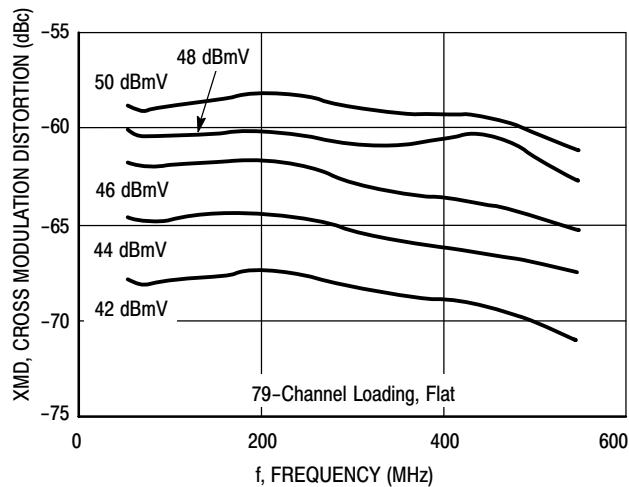
## TYPICAL CHARACTERISTICS FOR 24 V APPLICATION



**Figure 3. Composite Triple Beat versus Frequency**



**Figure 4. Composite Second Order versus Frequency**

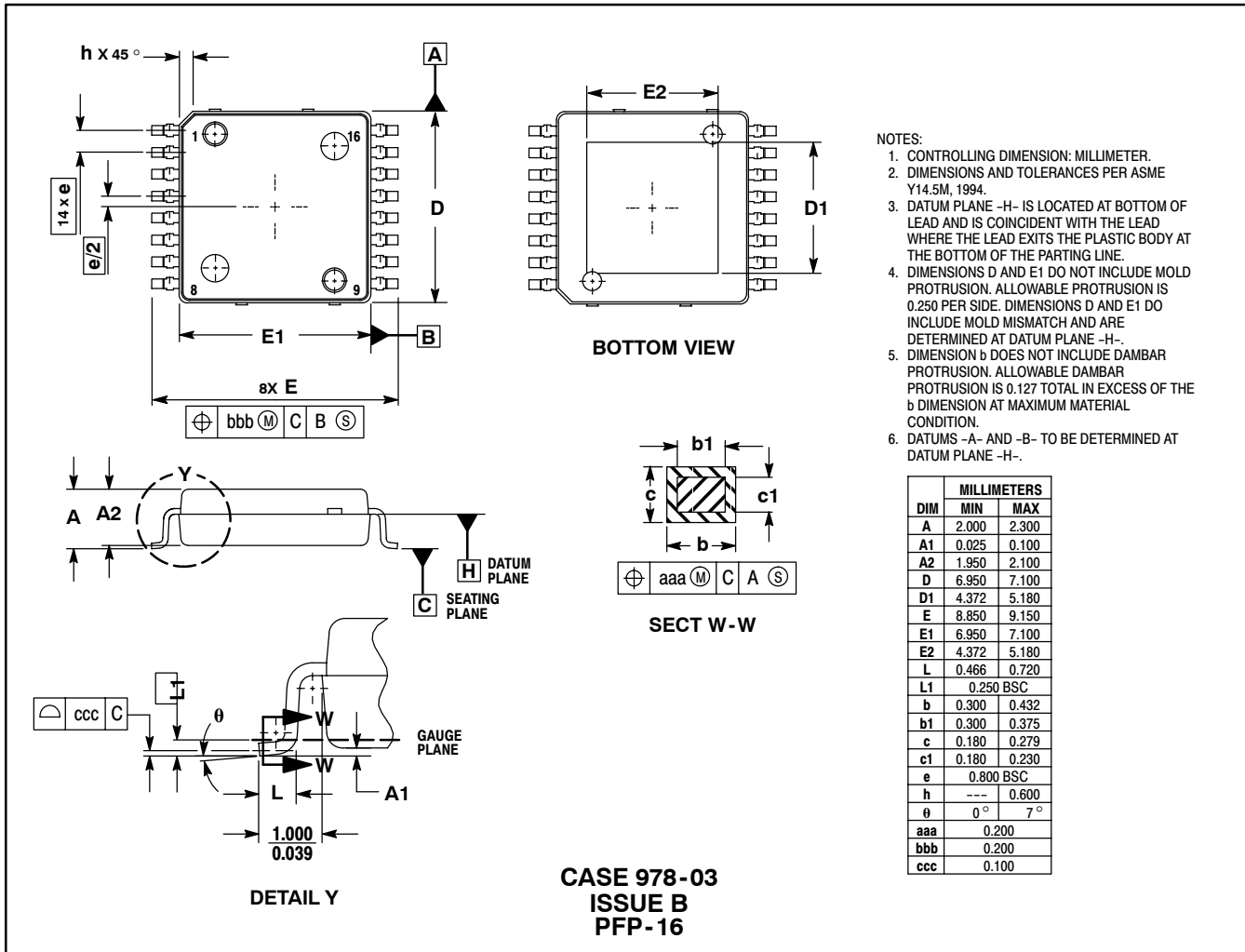


**Figure 5. Cross Modulation Distortion versus Frequency**

**NOTES**

# Freescale Semiconductor, Inc.

## PACKAGE DIMENSIONS



Information in this document is provided solely to enable system and software implementers to use Motorola products. There are no express or implied copyright licenses granted hereunder to design or fabricate any integrated circuits or integrated circuits based on the information in this document.

Motorola reserves the right to make changes without further notice to any products herein. Motorola makes no warranty, representation or guarantee regarding the suitability of its products for any particular purpose, nor does Motorola assume any liability arising out of the application or use of any product or circuit, and specifically disclaims any and all liability, including without limitation consequential or incidental damages. "Typical" parameters that may be provided in Motorola data sheets and/or specifications can and do vary in different applications and actual performance may vary over time. All operating parameters, including "Typicals", must be validated for each customer application by customer's technical experts. Motorola does not convey any license under its patent rights nor the rights of others. Motorola products are not designed, intended, or authorized for use as components in systems intended for surgical implant into the body, or other applications intended to support or sustain life, or for any other application in which the failure of the Motorola product could create a situation where personal injury or death may occur. Should Buyer purchase or use Motorola products for any such unintended or unauthorized application, Buyer shall indemnify and hold Motorola and its officers, employees, subsidiaries, affiliates, and distributors harmless against all claims, costs, damages, and expenses, and reasonable attorney fees arising out of, directly or indirectly, any claim of personal injury or death associated with such unintended or unauthorized use, even if such claim alleges that Motorola was negligent regarding the design or manufacture of the part.

MOTOROLA and the Stylized M Logo are registered in the US Patent and Trademark Office. All other product or service names are the property of their respective owners. Motorola, Inc. is an Equal Opportunity/Affirmative Action Employer.

© Motorola Inc. 2004

### HOW TO REACH US:

**USA/EUROPE/LOCATIONS NOT LISTED:**  
Motorola Literature Distribution  
P.O. Box 5405, Denver, Colorado 80217  
1-800-521-6274 or 480-768-2130

**JAPAN:** Motorola Japan Ltd.; SPS, Technical Information Center,  
3-20-1, Minami-Azabu, Minato-ku, Tokyo 106-8573, Japan  
81-3-3440-3569

**ASIA/PACIFIC:** Motorola Semiconductors H.K. Ltd.; Silicon Harbour Centre,  
2 Dai King Street, Tai Po Industrial Estate, Tai Po, N.T., Hong Kong  
852-26668334

**HOME PAGE:** <http://motorola.com/semiconductors>



**MOTOROLA**

For More Information On This Product,  
Go to: [www.freescale.com](http://www.freescale.com)

MMG1001R2/D