



LC896431

MD Decoder IC

Overview

The LC896431 implements playback signal processing that conforms to the MiniDisc format standards. This device was designed to form a chip set in conjunction with a SANYO RF amplifier IC.

Features

- Fabricated in a CMOS process for low power
- An application system can be created easily by combining this IC with a SANYO RF amplifier IC.
- Provides digital servo functions and a VCEC for high-speed access.
- Allows the creation of optimal systems by integrating 8× oversampling digital filters, a 1-bit D/A converter, and a low-pass filter on the same chip.

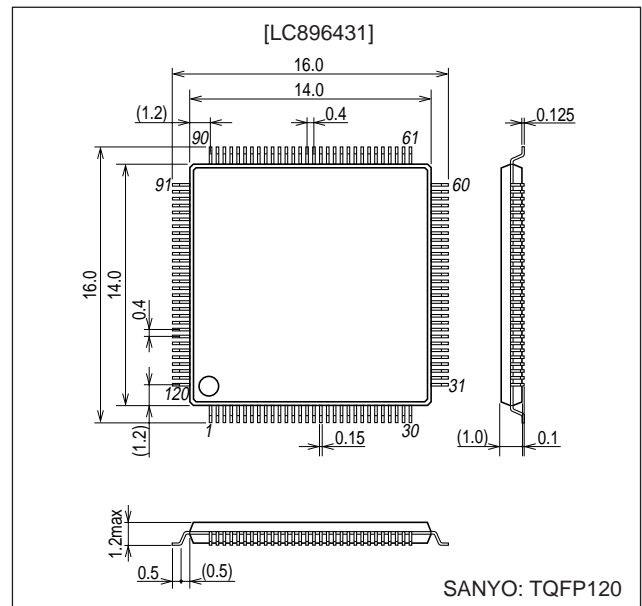
Functions

- Full complement of automatic adjustment functions
- Intensity, defect, and shock detection
- Both CLV and CAV control
- VCEC circuit
- Automatic adjustment functions
- High-performance ATRAC3 decoder
- EFM data demodulation
- Error detection and correction (C1: E12, C2: E24)
- Error correction RAM
- Intelligent commands
- Anti-shock control
- ADIP demodulation and decoding
- Digital servo
- EFM ACIRC decoding
- High-performance 1-bit D/A converter
- Built-in second-order low-pass filter for audio output
- Power saving function for the stopped and paused states

Package Dimensions

unit: mm

3257-TQFP120



■ Any and all SANYO products described or contained herein do not have specifications that can handle applications that require extremely high levels of reliability, such as life-support systems, aircraft's control systems, or other applications whose failure can be reasonably expected to result in serious physical and/or material damage. Consult with your SANYO representative nearest you before using any SANYO products described or contained herein in such applications.

■ SANYO assumes no responsibility for equipment failures that result from using products at values that exceed, even momentarily, rated values (such as maximum ratings, operating condition ranges, or other parameters) listed in products specifications of any and all SANYO products described or contained herein.

SANYO Electric Co.,Ltd. Semiconductor Company

TOKYO OFFICE Tokyo Bldg., 1-10, 1 Chome, Ueno, Taito-ku, TOKYO, 110-8534 JAPAN

Specifications

Maximum Ratings at $V_{SS} = 0\text{ V}$

Parameter	Symbol	Conditions	Ratings	Unit
Supply voltage	$V_{DD1\text{ max}}$		2.7	V
	$V_{DD2\text{ max}}$		2.7	V
Input and output voltage	V_I, V_O		0 to V_{DD2}	V
Operating temperature *1	T_{opr}		-10 to +70	°C
Storage temperature	T_{stg}		-55 to +125	°C
Input and output current *2	I_I, I_O		±20	mA

Notes: 1. Does not guarantee continuous operation.

2. Maximum output current that flows constantly (except OUTL, OUTR, SLC0, PD0 pins)

Allowable Operating Ranges at $T_a = -10^\circ\text{C}$ to $+70^\circ\text{C}$, $V_{SS} = 0\text{ V}$

In case of external I/O power supply, $V_{DD2} = 2.3\text{ V}$

Parameter	Symbol	Conditions	Ratings			Unit	
			min	typ	max		
Supply voltage	External I/O	V_{DD2}	2.2	2.3	2.4	V	
	Internal	V_{DD}	1.5	1.6	1.8		
	Analog system	AV_{DD}		2.2	—		2.6
		AV_{DD1}		2.2	—		2.6
		V_{CVDD}		2.2	—		2.6

In case of external I/O power supply, $V_{DD2} = 2.5\text{ V}$

Parameter	Symbol	Conditions	Ratings			Unit	
			min	typ	max		
Supply voltage	External I/O	V_{DD2}	2.2	2.5	2.55	V	
	Internal	V_{DD}	1.55	1.6	1.80		
	Analog system	AV_{DD}		2.2	—		2.6
		AV_{DD1}		2.2	—		2.6
		V_{CVDD}		2.2	—		2.6

Notes: 1. Supply all power supplies at less than the maximum gradient of 0.4 V/ms, and implement a delay of 10 ms or longer for current to go from 0 V to 2.4 V.

2. Supply all power supplies simultaneously so that there are no delay differences among them.

3. Supply 0 to the RESETB pin only upon power application, and following power application, supply 1 and use with this value.

Electrical Characteristics

DC characteristics

Input/output level: at $T_a = -10$ to 70°C , $V_{SS} = 0\text{ V}$, $V_{DD1} = 1.5$ to 1.8 V , $V_{DD2} = 2.2$ to 2.55 V

Parameter	Symbol	Conditions	Ratings			Unit
			min	typ	max	
Input high-level voltage	V_{IH}	Except *1 to *3	$V_{DD2} \times 0.75$	—	—	V
		*1	$V_{DD2} \times 0.80$	—	—	
		*2	$V_{DD2}/2 + 0.10$	—	V_{DD2}	
Input low-level voltage	V_{IL}	Except *1 to *3	—	—	$V_{DD2} \times 0.25$	V
		*1	—	—	$V_{DD2} \times 0.20$	
		*2	V_{SS}	—	$V_{DD2}/2 - 0.10$	
Output high-level voltage	V_{OH}	$I_{OH2} = -1\text{ mA}$, Except *4	$V_{DD2} \times 0.80$	—	—	V
Output low-level voltage	V_{OL}	$I_{OL} = 1\text{ mA}$, Except *4	—	—	$V_{DD2} \times 0.15$	V
Output leakage current	I_{OZ}	*5	-10.0	—	10.0	μA
Pull-up resistance	R_{UP}		46	100	270	kΩ

Notes: *1: CL, CE, RESETB, ADIPWO, HFL

*2: EFMIN

*3: PEAK, BOTTOM, ABCD, TE, FE, VC

*4: OUTL, OUTR

*5: During high-impedance output. Current also flows through pull-up resistance for MD3 to 0.

• XIN, XOUT, SLC0, and PD0 are not included in DC characteristics.

• The FR, ISET, SLCIST bias resistance pins are not included in DC characteristics.

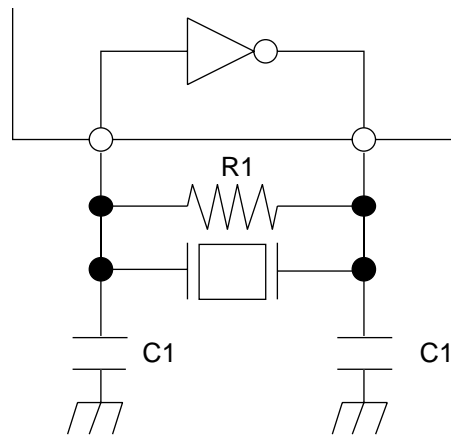
Analog characteristics

Input/output level: at $T_a = -10$ to $+70^\circ\text{C}$, $V_{SS} = 0$ V, $V_{DD1} = 2.2$ to 2.6 V

Parameter	Symbol	Conditions	Ratings			Unit
			min	typ	max	
Analog input voltage	V_I	PEAK, BOTTOM, ABCD, TE, FE, VC	$AV_{DD1} \times 0.2$	—	$AV_{DD1} \times 0.8$	V
Input load capacitance		PEAK, BOTTOM, ABCD, TE, FE, VC	—	—	7.5	pF

Oscillation amplifier

Note: Xtal is limited to the basic mode.



Pin Functions

I/O → I: Input pin, O: Output pin, B: Bidirectional pin

Note: Do not leave V_{DD} and V_{SS} open, connect all to power supply, ground.

Pin No.	Pin Name	I/O	Function
1	V_{DD2}	—	Power supply pin
2	SHOCK	O	SHOCK/RFNG output pin
3	SLCO	O	HF signal slice level output pin
4	SLCIST	I	Bias resistance pin of slice level adjustment amplifier
5	EFMIN	I	HF signal input pin
6	RESETB	I	System reset
7	HFL	I	Track detection signal input pin
8	TEST2	I	Test input pin
9	PDO	O	VCEC current charge pump output pin
10	V_{CVSS}	—	VCEC ground pin
11	FR	I	Bias resistance pin for oscillation frequency of VCEC
12	ISET	I	Bias resistance pin for current charge pump of VCEC
13	V_{CVDD}	—	VCEC power supply pin
14	AV_{SS1}	—	Digital servo ground pin
15	PEAK	I	PEAK signal input pin
16	BOTTOM	I	BOTTOM signal input pin
17	ABCD	I	Main beam light intensity signal input pin
18	TE	I	Tracking error signal input pin
19	FE	I	Focus error signal input pin
20	VC	I	Midpoint potential input pin
21	AV_{DD1}	—	Digital servo power supply pin
22	DSW1	B*	Disk mode switch output
23	DSW0	B*	Disk mode switch output
24	SGC	B*	AGC control signal output pin
25	AOFFSET	B*	ABCD offset control signal output pin
26	FOFFSET	B*	Focus offset control signal output pin
27	TOFFSET	B*	Tracking offset control signal output pin
28	TBAL	B*	Tracking balance control signal output pin
29	LDREF	B*	Laser control signal output pin
30	V_{SS}	—	Ground pin
31	V_{DD}	—	Internal power supply pin
32	FBAL	B*	Focus balance control output pin
33	SPPWMF	B*	Spindle PWM output pin
34	SPPWMR	B*	Spindle PWM output pin
35	MD7	B	DRAM data input/output pin
36	MD6	B	DRAM data input/output pin
37	MD5	B	DRAM data input/output pin
38	MD4	B	DRAM data input/output pin
39	V_{DD2}	—	Power supply pin
40	MD3	B	DRAM data input/output pin
41	MD2	B	DRAM data input/output pin
42	MD1	B	DRAM data input/output pin
43	MD0	B	DRAM data input/output pin
44	PCK	O	VCEC system clock signal output pin
45	V_{DD2}	—	Power supply pin
46	V_{SS}	—	Ground pin
47	DEFECT	B*	Defect signal input/output pin
48	MD15	B	DRAM data input/output pin
49	MD14	B	DRAM data input/output pin
50	MD13	B	DRAM data input/output pin
51	MD12	B	DRAM data input/output pin
52	V_{SS}	—	Ground pin
53	MD11	B	DRAM data input/output pin

Continued on next page.

LC896431

Continued from preceding page.

Pin No.	Pin Name	I/O	Function
54	MD10	B	DRAM data input/output pin
55	MD9	B	DRAM data input/output pin
56	MD8	B	DRAM data input/output pin
57	SLPWMF	B*	Sled PWM output pin
58	SLPWMR	B*	Sled PWM output pin
59	SLD0	B*	Sled control signal output pin
60	V _{SS}	—	Ground pin
61	V _{DD2}	—	Power supply pin
62	SLD1	B	Sled control signal input/output pin
63	V _{DD}	—	Internal power supply pin
64	SLD2	I	Sled control signal input pin
65	SLD3	I	Sled control signal input pin
66	FOPWMF	B*	Focus PWM output pin
67	FOPWMR	B*	Focus PWM output pin
68	TRPWMF	B*	Tracking PWM output pin
69	TRPWMR	B*	Tracking PWM output pin
70	FG	I	Speed pulse input pin
71	VP	B*	CLV servo lock judgment output pin
72	FOK	B*	Focus OK signal output pin
73	FAST	B*	FAST signal output pin
74	CL	I	CPU interface data transfer clock input pin
75	CE	I	CPU interface chip enable signal input pin
76	DI	I	CPU interface data input pin
77	DO	O	CPU interface data output pin
78	WRQB	O	CPU interface interrupt signal output pin
79	INTB	O	CPU interface interrupt signal output pin
80	FSEQ	B*	Frame synchronization detection signal output pin
81	F16M	B*	16.9344 MHz output pin
82	ENH	B*	De-emphasis specification output pin
83	LRCO	B*	LR clock output pin
84	DDATA	B*	Speech signal data output pin
85	BCO	B*	Bit clock output pin
86	DDOUT (DEFECT)	B*	Digital audio output pin
87	V _{DD2}	—	Power supply pin
88	XIN	I	16.9344 MHz oscillation input pin
89	XOUT	O	16.9344 MHz oscillation output pin
90	V _{SS}	—	Ground pin
91	V _{DD}	—	Internal power supply pin
92	AV _{SS}	—	1-bit DAC ground pin
93	OUTR	O	1-bit DAC right channel output pin
94	OUTL	O	1-bit DAC left channel output pin
95	AV _{DD}	—	1-bit DAC power supply pin
96	MCASB	B*	DRAM $\overline{\text{CAS}}$ signal output pin
97	MOEB	B*	DRAM $\overline{\text{OE}}$ signal output pin
98	MAD9	B*	DRAM address output pin
99	MAD8	B*	DRAM address output pin
100	MAD7	B*	DRAM address output pin
101	TEST1	I	Test input pin
102	MAD6	B*	DRAM address output pin
103	MAD5	B*	DRAM address output pin
104	MAD4	B*	DRAM address output pin
105	TEST3	I	Test input pin
106	V _{SS}	—	Ground pin
107	V _{DD2}	—	Power supply pin
108	SMON3	B*	Monitor signal output pin
109	SMON2	B*	Monitor signal output pin

Continued on next page.

LC896431

Continued from preceding page.

Pin No.	Pin Name	I/O	Function
110	MAD3	B*	DRAM address output pin
111	MAD2	B*	DRAM address output pin
112	MAD1	B*	DRAM address output pin
113	MAD0	B*	DRAM address output pin
114	SMON1	B*	Monitor signal output pin
115	SMON0	B*	Monitor signal output pin
116	MRASB	B*	DRAM $\overline{\text{RAS}}$ signal output pin
117	MWEB	B*	DRAM $\overline{\text{WE}}$ signal output pin
118	ADIPWO	I	Wobble signal input pin
119	V _{DD}	—	Internal power supply pin
120	V _{SS}	—	Ground pin

Note: * Output/input only during testing. Normally output.

TEST1 to TEST3: Always use fixed to High.

MD3 to MD0: Pull-up I/O with resistor

- Specifications of any and all SANYO products described or contained herein stipulate the performance, characteristics, and functions of the described products in the independent state, and are not guarantees of the performance, characteristics, and functions of the described products as mounted in the customer's products or equipment. To verify symptoms and states that cannot be evaluated in an independent device, the customer should always evaluate and test devices mounted in the customer's products or equipment.
- SANYO Electric Co., Ltd. strives to supply high-quality high-reliability products. However, any and all semiconductor products fail with some probability. It is possible that these probabilistic failures could give rise to accidents or events that could endanger human lives, that could give rise to smoke or fire, or that could cause damage to other property. When designing equipment, adopt safety measures so that these kinds of accidents or events cannot occur. Such measures include but are not limited to protective circuits and error prevention circuits for safe design, redundant design, and structural design.
- In the event that any or all SANYO products (including technical data, services) described or contained herein are controlled under any of applicable local export control laws and regulations, such products must not be exported without obtaining the export license from the authorities concerned in accordance with the above law.
- No part of this publication may be reproduced or transmitted in any form or by any means, electronic or mechanical, including photocopying and recording, or any information storage or retrieval system, or otherwise, without the prior written permission of SANYO Electric Co., Ltd.
- Any and all information described or contained herein are subject to change without notice due to product/technology improvement, etc. When designing equipment, refer to the "Delivery Specification" for the SANYO product that you intend to use.
- Information (including circuit diagrams and circuit parameters) herein is for example only; it is not guaranteed for volume production. SANYO believes information herein is accurate and reliable, but no guarantees are made or implied regarding its use or any infringements of intellectual property rights or other rights of third parties.

This catalog provides information as of January, 2001. Specifications and information herein are subject to change without notice.