

COUPLING TRANSFORMER SERIES EP

- Using Ferrite EP cores these transformers are capable of handling 2.5mA to 5mA DC unbalanced. They are good for coupling and for RF telecommunication equipment.

ELECTRICAL SPECIFICATION AT 25°C

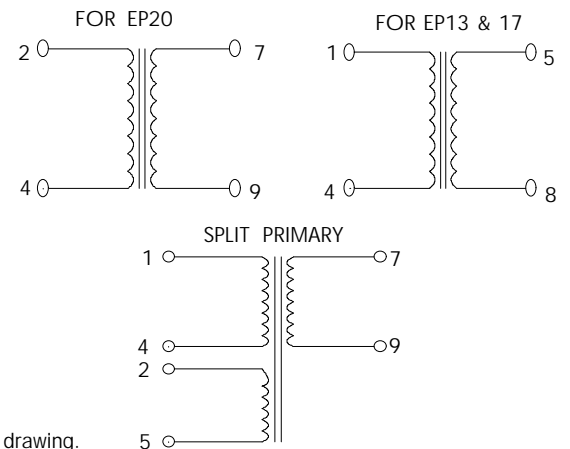
Part Number	Pri Z (Ω)	Sec Z (Ω)	Max Unbalance (DC mA)	Lp min @ 1 KHz 1 V (mH)	Insertion Loss @ 1 KHz (db) Max	Frequency Response (db) 300 Hz to 3500 Hz	Longitudinal balance min (db)	Return loss (db) ERL min	Break-down voltage (VRMS) Pri to Sec	Size
EP13-0191	600	600	NA	750	1.0	±0.25	60	26	1000 Volts	1
EP13-0192	900	900	NA	1000	1.0	±0.25	60	26	1000 Volts	1
EP17-0181	600	600	2.5	750	1.0	±0.25	60	22	1000 Volts	2
EP17-0182	900	900	2.5	1000	1.0	±0.25	60	22	1000 Volts	2
EP20-0171	600	600	5	750	0.8	±0.25	60	26	1500 Volts	3
EP20-0172	600/SPLIT	600	5	750	0.8	±0.25	60	26	1500 Volts	3
EP20-0173	600	900	5	750	0.8	±0.25	60	26	1500 Volts	3
EP20-0174	900/SPLIT	600	4	1250	0.8	±0.25	60	26	1500 Volts	3

NOTE: In the configuration of split primary, pins 1 and 4 for primary 1, and pins 2 and 5 for primary 2.

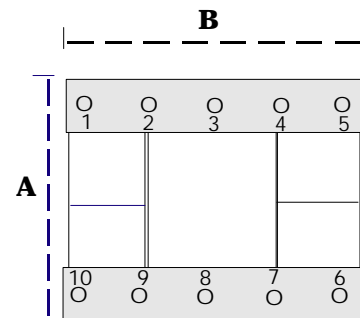
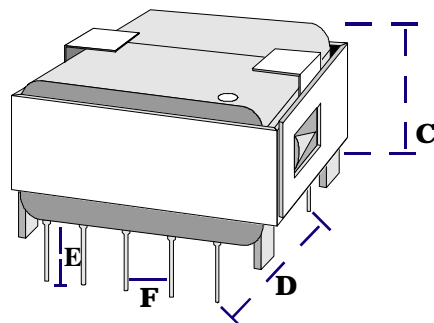
SCHEMATIC

DIMENSIONS IN MILLIMETERS

Size	Width Max A	Length Max B	Height Max C	Spacing between 2 windings nominal D	Lead length nominal E	Lead spacing nominal F
1	13.85	13.85	13.20	10.16	4.7	2.54
2	20.10	20.10	15.50	15.24	5.0	5.08
3	22.10	25.50	20.35	17.78 ±0.13	6.35	5.08



NOTE EP 13 & 17 are also available with 8 terminal bobbins, instead of 10 as per drawing. In this case, primary will be pins 1 and 4, and secondary will be pins 5 and 8.



BOTTOM VIEW