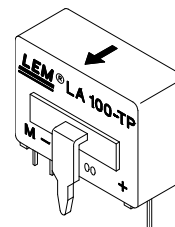


Current Transducer LA 100-TP

$$I_{PN} = 100 \text{ A}$$

For the electronic measurement of currents : DC, AC, pulsed..., with a galvanic isolation between the primary circuit (high power) and the secondary circuit (electronic circuit).



Electrical data

I_{PN}	Primary nominal r.m.s. current	100	A					
I_P	Primary current, measuring range	0 .. ± 150	A					
R_M	Measuring resistance @	$T_A = 70^\circ\text{C}$		$T_A = 85^\circ\text{C}$				
		R_{Mmin}	R_{Mmax}	R_{Mmin}	R_{Mmax}			
		with $\pm 12 \text{ V}$	@ $\pm 100 \text{ A}_{max}$	0	50	0	42	Ω
			@ $\pm 120 \text{ A}_{max}$	0	22	0	14	Ω
		with $\pm 15 \text{ V}$	@ $\pm 100 \text{ A}_{max}$	0	110	20	102	Ω
	@ $\pm 150 \text{ A}_{max}$	0	33	20	25	Ω		
I_{SN}	Secondary nominal r.m.s. current	50	mA					
K_N	Conversion ratio	1 : 2000						
V_C	Supply voltage ($\pm 5 \%$)	$\pm 12 \dots 15$	V					
I_C	Current consumption	10 (@ $\pm 15 \text{ V}$) + I_S	mA					
V_d	R.m.s. voltage for AC isolation test, 50 Hz, 1 mn	2.5	kV					
V_b	R.m.s. rated voltage	610	V					

Accuracy - Dynamic performance data

X	Accuracy @ I_{PN} , $T_A = 25^\circ\text{C}$	@ $\pm 15 \text{ V}$ ($\pm 5 \%$)	± 0.45	%
		@ $\pm 12 \dots 15 \text{ V}$ ($\pm 5 \%$)	± 0.70	%
e_L	Linearity		< 0.15	%
I_O	Offset current @ $I_P = 0$, $T_A = 25^\circ\text{C}$	Typ	± 0.10	mA
		Max	± 0.15	mA
I_{OM}	Residual current ¹⁾ @ $I_P = 0$, after an overload of $3 \times I_{PN}$		± 0.05	mA
I_{OT}	Thermal drift of I_O	- $25^\circ\text{C} \dots + 85^\circ\text{C}$	± 0.25	mA
		- $40^\circ\text{C} \dots - 25^\circ\text{C}$	± 0.10	mA
t_{ra}	Reaction time @ 10 % of I_{Pmax}		< 500	ns
t_r	Response time ²⁾ @ 90 % of I_{Pmax}		< 1	μs
di/dt	di/dt accurately followed		> 200	A/ μs
f	Frequency bandwidth (- 1 dB)		DC .. 200	kHz

General data

T_A	Ambient operating temperature	- 40 .. + 85	$^\circ\text{C}$	
T_S	Ambient storage temperature	- 50 .. + 95	$^\circ\text{C}$	
R_S	Secondary coil resistance @	$T_A = 70^\circ\text{C}$	120	Ω
		$T_A = 85^\circ\text{C}$	128	Ω
m	Mass	24	g	
	Standards ³⁾	EN 50178		

Features

- Closed loop (compensated) current transducer using the Hall effect
- Printed circuit board mounting
- Insulated plastic case recognized according to UL 94-V0.

Advantages

- Excellent accuracy
- Very good linearity
- Low temperature drift
- Optimized response time
- Wide frequency bandwidth
- No insertion losses
- High immunity to external interference
- Current overload capability.

Applications

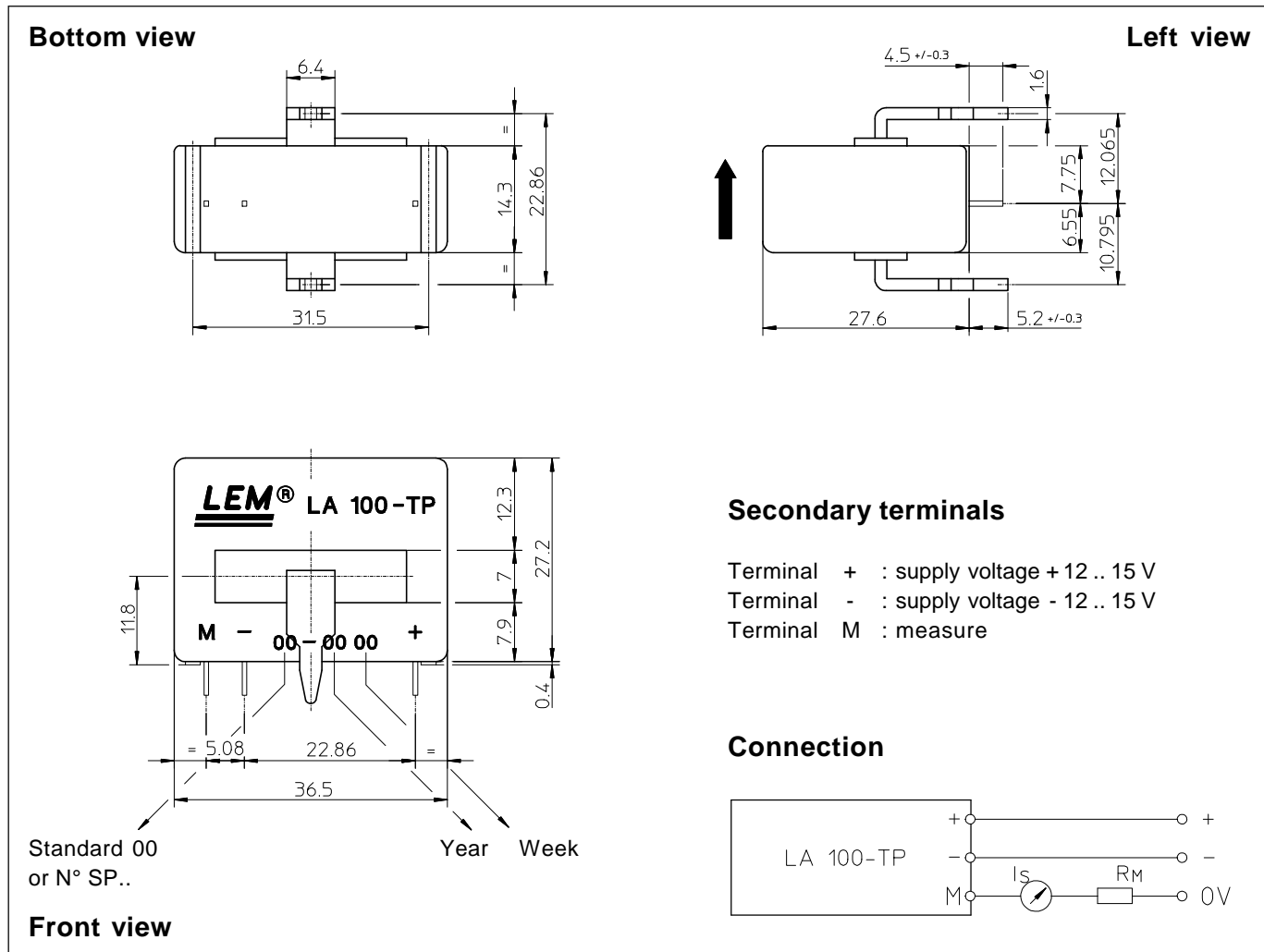
- AC variable speed drives and servo motor drives
- Static converters for DC motor drives
- Battery supplied applications
- Uninterruptible Power Supplies (UPS)
- Switched Mode Power Supplies (SMPS)
- Power supplies for welding applications.

Notes : ¹⁾ The result of the coercive field of the magnetic circuit

²⁾ With a di/dt of 100 A/ μs

³⁾ A list of corresponding tests is available

Dimensions LA 100-TP (in mm. 1 mm = 0.0394 inch)



Mechanical characteristics

- General tolerance ± 0.2 mm
- Fastening & connection of primary bus bar 6.4 x 1.6 mm
- Recommended PCB hole 3.8 mm
- Fastening & connection of secondary 3 pins 0.6 x 0.7 mm
- Recommended PCB hole 0.9 mm

Remarks

- I_s is positive when I_p flows in the direction of the arrow.
- Temperature of the primary conductor should not exceed 100°C.
- This is a standard model. For different versions (supply voltages, turns ratios, unidirectional measurements...), please contact us.