

## High Voltage Synchronous Rectified Buck MOSFET Driver

The ISL6208 is a high frequency, dual MOSFET driver, optimized to drive two N-Channel power MOSFETs in a synchronous-rectified buck converter topology. It is especially suited for mobile computing applications that require high efficiency and excellent thermal performance. This driver, combined with an Intersil multiphase Buck PWM controller, forms a complete single-stage core-voltage regulator solution for advanced mobile microprocessors.

The ISL6208 features 4A typical sinking current for the lower gate driver. This current is capable of holding the lower MOSFET gate off during the rising edge of the Phase node. This prevents shoot-through power loss caused by the high dv/dt of phase voltages. The operating voltage matches the 30V breakdown voltage of the MOSFETs commonly used in mobile computer power supplies.

The ISL6208 also features a three-state PWM input that, working together with Intersil's multiphase PWM controllers, will prevent negative voltage output during CPU shutdown. This feature eliminates a protective Schottky diode usually seen in a microprocessor power systems.

MOSFET gates can be efficiently switched up to 2MHz using the ISL6208. Each driver is capable of driving a 3000pF load with propagation delays of 8ns and transition times under 10ns. Bootstrapping is implemented with an internal Schottky diode. This reduces system cost and complexity, while allowing the use of higher performance MOSFETs. Adaptive shoot-through protection is integrated to prevent both MOSFETs from conducting simultaneously.

A diode emulation feature is integrated in the ISL6208 to enhance converter efficiency at light load conditions. This feature also allows for monotonic start-up into pre-biased outputs. When diode emulation is enabled, the driver will allow discontinuous conduction mode by detecting when the inductor current reaches zero and subsequently turning off the low side MOSFET gate.

## Features

- Dual MOSFET Drives for Synchronous Rectified Bridge
- Adaptive Shoot-Through Protection
- 0.5Ω On-Resistance and 4A Sink Current Capability
- Supports High Switching Frequency up to 2MHz
  - Fast output rise and fall time
  - Low propagation delay
- Three-State PWM Input for Power Stage Shutdown
- Internal Bootstrap Schottky Diode
- Low Bias Supply Current (5V, 80μA)
- Diode Emulation for Enhanced Light Load Efficiency and Pre-Biased Start-Up Applications
- VCC POR (Power-On-Reset) Feature Integrated
- Low Three-State Shutdown Holdoff Time (Typical 160ns)
- Pin-to-pin Compatible with ISL6207
- QFN Package:
  - Compliant to JEDEC PUB95 MO-220 QFN - Quad Flat No Leads - Package outline
  - Near Chip Scale Package footprint, which improves PCB efficiency and has a thinner profile
- Pb-Free Plus Anneal Available (RoHS Compliant)

## Applications

- Core Voltage Supplies for Intel® and AMD® Mobile Microprocessors
- High Frequency Low Profile DC/DC Converters
- High Current Low Output Voltage DC/DC Converters
- High Input Voltage DC/DC Converters

## Related Literature

- Technical Brief TB363 "Guidelines for Handling and Processing Moisture Sensitive Surface Mount Devices (SMDs)"
- Technical Brief TB389 "PCB Land Pattern Design and Surface Mount Guidelines for MLFP Packages"
- Technical Brief TB447 "Guidelines for Preventing Boot-to-Phase Stress on Half-Bridge MOSFET Driver ICs"

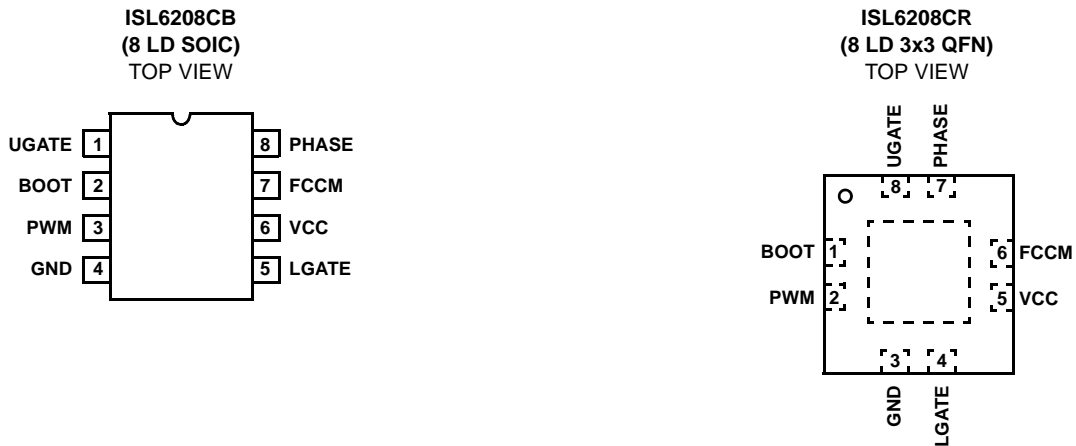
**Ordering Information**

| PART NUMBER        | PART MARKING | TEMP. RANGE (°C) | PACKAGE                | PKG. DWG. # |
|--------------------|--------------|------------------|------------------------|-------------|
| ISL6208CB*         | ISL6208CB    | -10 to +100      | 8 Ld SOIC              | M8.15       |
| ISL6208CBZ* (Note) | ISL6208CBZ   | -10 to +100      | 8 Ld SOIC (Pb-free)    | M8.15       |
| ISL6208CR*         | 208C         | -10 to +100      | 8 Ld 3x3 QFN           | L8.3x3      |
| ISL6208CRZ* (Note) | 208Z         | -10 to +100      | 8 Ld 3x3 QFN (Pb-free) | L8.3x3      |
| ISL6208IB*         | ISL6208IB    | -40 to +100      | 8 Ld SOIC              | M8.15       |
| ISL6208IBZ* (Note) | ISL6208IBZ   | -40 to +100      | 8 Ld SOIC (Pb-free)    | M8.15       |
| ISL6208IR*         | 208I         | -40 to +100      | 8 Ld 3x3 QFN           | L8.3x3      |
| ISL6208IRZ* (Note) | 81RZ         | -40 to +100      | 8 Ld 3x3 QFN (Pb-free) | L8.3x3      |

\* Add "-T" suffix for Tape and Reel.

NOTE: Intersil Pb-free plus anneal products employ special Pb-free material sets; molding compounds/die attach materials and 100% matte tin plate termination finish, which are RoHS compliant and compatible with both SnPb and Pb-free soldering operations. Intersil Pb-free products are MSL classified at Pb-free peak reflow temperatures that meet or exceed the Pb-free requirements of IPC/JEDEC J STD-020.

**Pinouts**



**Block Diagram**

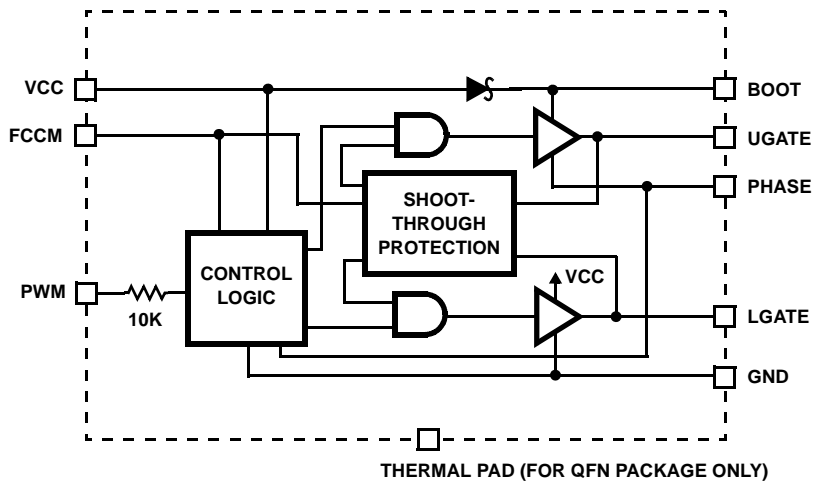


FIGURE 1. BLOCK DIAGRAM

**Absolute Maximum Ratings**

|                                                             |                                                                        |
|-------------------------------------------------------------|------------------------------------------------------------------------|
| Supply Voltage (VCC) .....                                  | -0.3V to 7V                                                            |
| Input Voltage (V <sub>FCCM</sub> , V <sub>PWM</sub> ) ..... | -0.3V to VCC + 0.3V                                                    |
| BOOT Voltage (V <sub>BOOT-GND</sub> ) .....                 | -0.3V to 33V                                                           |
| BOOT To PHASE Voltage (V <sub>BOOT-PHASE</sub> ) .....      | -0.3V to 7V (DC)                                                       |
|                                                             | -0.3V to 9V (<10ns)                                                    |
| PHASE Voltage (Note 1) .....                                | GND - 0.3V to 30V                                                      |
|                                                             | GND - 8V (<20ns Pulse Width, 10μJ)                                     |
| UGATE Voltage .....                                         | V <sub>PHASE</sub> - 0.3V (DC) to V <sub>BOOT</sub>                    |
|                                                             | V <sub>PHASE</sub> - 5V (<20ns Pulse Width, 10μJ) to V <sub>BOOT</sub> |
| LGATE Voltage .....                                         | GND - 0.3V (DC) to VCC + 0.3V                                          |
|                                                             | GND - 2.5V (<20ns Pulse Width, 5μJ) to VCC + 0.3V                      |
| Ambient Temperature Range .....                             | -40°C to +125°C                                                        |

**Thermal Information**

|                                                      |                         |                        |
|------------------------------------------------------|-------------------------|------------------------|
| Thermal Resistance (Typical)                         | θ <sub>JA</sub> (°C/W)  | θ <sub>JC</sub> (°C/W) |
| SOIC Package (Note 2) .....                          | 110                     | n/a                    |
| QFN Package (Notes 3, 4) .....                       | 80                      | 15                     |
| Maximum Junction Temperature (Plastic Package) ..... | +150°C                  |                        |
| Maximum Storage Temperature Range .....              | -65°C to +150°C         |                        |
| Maximum Lead Temperature (Soldering 10s) .....       | +300°C                  |                        |
|                                                      | (SOIC - Lead Tips Only) |                        |

**Recommended Operating Conditions**

|                                              |                 |
|----------------------------------------------|-----------------|
| Ambient Temperature Range .....              | -10°C to +100°C |
| Maximum Operating Junction Temperature ..... | +125°C          |
| Supply Voltage, VCC .....                    | 5V ±10%         |

**CAUTION:** Stresses above those listed in "Absolute Maximum Ratings" may cause permanent damage to the device. This is a stress only rating and operation of the device at these or any other conditions above those indicated in the operational sections of this specification is not implied.

**NOTES:**

1. The Phase Voltage is capable of withstanding -7V when the BOOT pin is at GND.
2. θ<sub>JA</sub> is measured with the component mounted on a high effective thermal conductivity test board in free air. See Tech Brief TB379 for details.
3. θ<sub>JA</sub> is measured in free air with the component mounted on a high effective thermal conductivity test board with "direct attach" features. See Tech Brief TB379.
4. For θ<sub>JC</sub>, the "case temp" location is the center of the exposed metal pad on the package underside.

**Electrical Specifications** Recommended Operating Conditions, Unless Otherwise Noted

| PARAMETER                            | SYMBOL             | TEST CONDITIONS                                   | MIN  | TYP  | MAX  | UNITS |
|--------------------------------------|--------------------|---------------------------------------------------|------|------|------|-------|
| <b>V<sub>CC</sub> SUPPLY CURRENT</b> |                    |                                                   |      |      |      |       |
| Bias Supply Current                  | I <sub>VCC</sub>   | PWM pin floating, V <sub>FCCM</sub> = 5V          | -    | 80   | -    | μA    |
| POR                                  |                    |                                                   | -    | -    | -    |       |
| V <sub>CC</sub> Rising               |                    |                                                   | -    | 3.40 | 3.90 | V     |
| V <sub>CC</sub> Falling              |                    |                                                   | 2.40 | 2.90 | -    | V     |
| Hysteresis                           |                    |                                                   | -    | 500  | -    | mV    |
| <b>BOOTSTRAP DIODE</b>               |                    |                                                   |      |      |      |       |
| Forward Voltage                      | V <sub>F</sub>     | V <sub>VCC</sub> = 5V, forward bias current = 2mA | 0.50 | 0.55 | 0.65 | V     |
| <b>PWM INPUT</b>                     |                    |                                                   |      |      |      |       |
| Input Current                        | I <sub>PWM</sub>   | V <sub>PWM</sub> = 5V                             | -    | 250  | -    | μA    |
|                                      |                    | V <sub>PWM</sub> = 0V                             | -    | -250 | -    | μA    |
| PWM Three-State Rising Threshold     |                    | V <sub>VCC</sub> = 5V                             | 0.70 | 1.00 | 1.30 | V     |
| PWM Three-State Falling Threshold    |                    | V <sub>VCC</sub> = 5V                             | 3.5  | 3.8  | 4.1  | V     |
| Three-State Shutdown Hold-off Time   | t <sub>TSSHD</sub> | V <sub>VCC</sub> = 5V, temperature = +25°C        | 100  | 175  | 250  | ns    |
| <b>FCCM INPUT</b>                    |                    |                                                   |      |      |      |       |
| FCCM LOW Threshold                   |                    |                                                   | 0.50 | -    | -    | V     |
| FCCM HIGH Threshold                  |                    |                                                   | -    | -    | 2.0  | V     |
| <b>SWITCHING TIME</b>                |                    |                                                   |      |      |      |       |
| UGATE Rise Time (Note 5)             | t <sub>RU</sub>    | V <sub>VCC</sub> = 5V, 3nF load                   | -    | 8.0  | -    | ns    |
| LGATE Rise Time (Note 5)             | t <sub>RL</sub>    | V <sub>VCC</sub> = 5V, 3nF load                   | -    | 8.0  | -    | ns    |

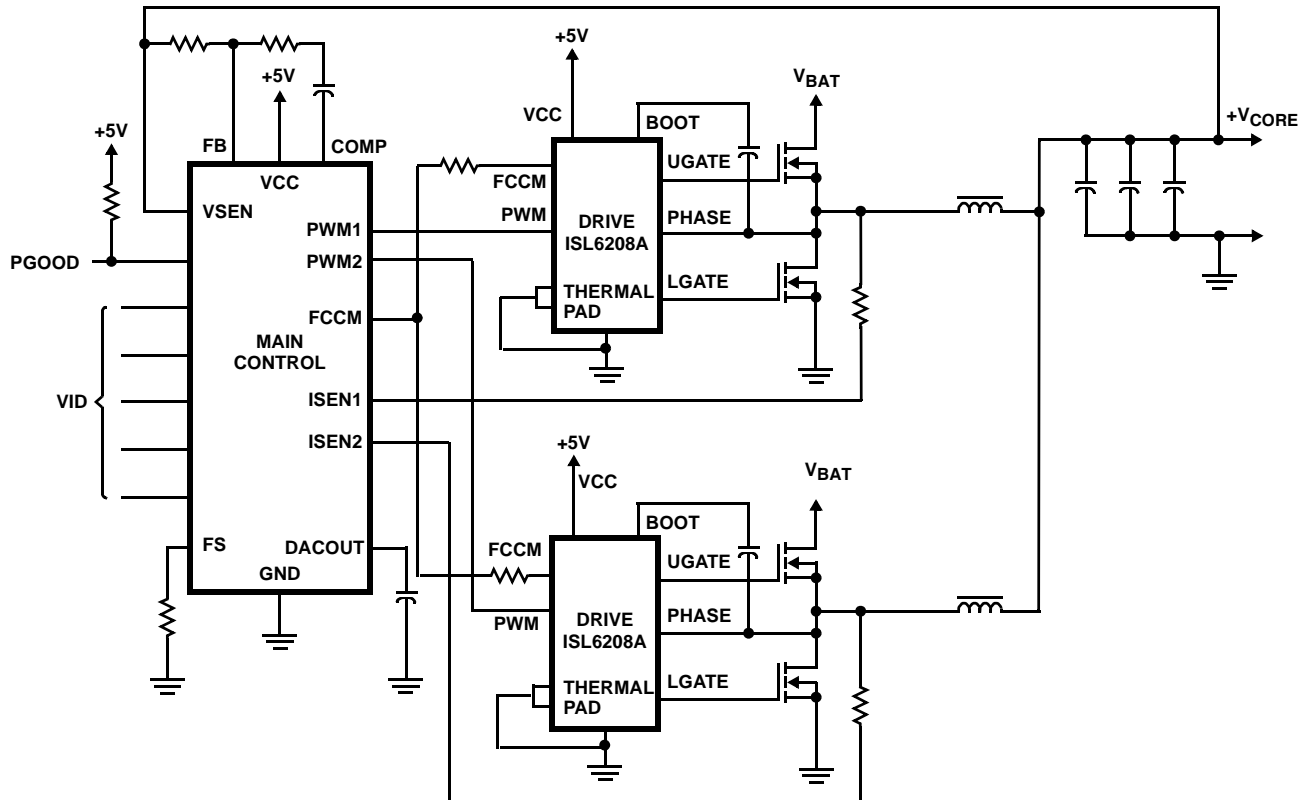
**Electrical Specifications** Recommended Operating Conditions, Unless Otherwise Noted (Continued)

| PARAMETER                            | SYMBOL      | TEST CONDITIONS                   | MIN | TYP  | MAX | UNITS    |
|--------------------------------------|-------------|-----------------------------------|-----|------|-----|----------|
| UGATE Fall Time (Note 5)             | $t_{FU}$    | $V_{VCC} = 5V$ , 3nF load         | -   | 8.0  | -   | ns       |
| LGATE Fall Time (Note 5)             | $t_{FL}$    | $V_{VCC} = 5V$ , 3nF load         | -   | 4.0  | -   | ns       |
| UGATE Turn-Off Propagation Delay     | $t_{PDLU}$  | $V_{VCC} = 5V$ , outputs unloaded | -   | 18   | -   | ns       |
| LGATE Turn-Off Propagation Delay     | $t_{PDLL}$  | $V_{VCC} = 5V$ , outputs unloaded | -   | 25   | -   | ns       |
| UGATE Turn-On Propagation Delay      | $t_{PDHU}$  | $V_{VCC} = 5V$ , outputs unloaded | 10  | 20   | 30  | ns       |
| LGATE Turn-On Propagation Delay      | $t_{PDHL}$  | $V_{VCC} = 5V$ , outputs unloaded | 10  | 20   | 30  | ns       |
| UG/LG Three-State Propagation Delay  | $t_{PTS}$   | $V_{VCC} = 5V$ , outputs unloaded | -   | 35   | -   | ns       |
| Minimum LG On TIME in DCM (Note 5)   | $t_{LGMIN}$ |                                   | -   | 400  | -   | ns       |
| <b>OUTPUT</b>                        |             |                                   |     |      |     |          |
| Upper Drive Source Resistance        | $R_U$       | 500mA source current              | -   | 1    | 2.5 | $\Omega$ |
| Upper Driver Source Current (Note 5) | $I_U$       | $V_{UGATE-PHASE} = 2.5V$          | -   | 2.00 | -   | A        |
| Upper Drive Sink Resistance          | $R_U$       | 500mA sink current                | -   | 1    | 2.5 | $\Omega$ |
| Upper Driver Sink Current (Note 5)   | $I_U$       | $V_{UGATE-PHASE} = 2.5V$          | -   | 2.00 | -   | A        |
| Lower Drive Source Resistance        | $R_L$       | 500mA source current              | -   | 1    | 2.5 | $\Omega$ |
| Lower Driver Source Current (Note 5) | $I_L$       | $V_{LGATE} = 2.5V$                | -   | 2.00 | -   | A        |
| Lower Drive Sink Resistance          | $R_L$       | 500mA sink current                | -   | 0.5  | 1.0 | $\Omega$ |
| Lower Driver Sink Current (Note 5)   | $I_L$       | $V_{LGATE} = 2.5V$                | -   | 4.00 | -   | A        |

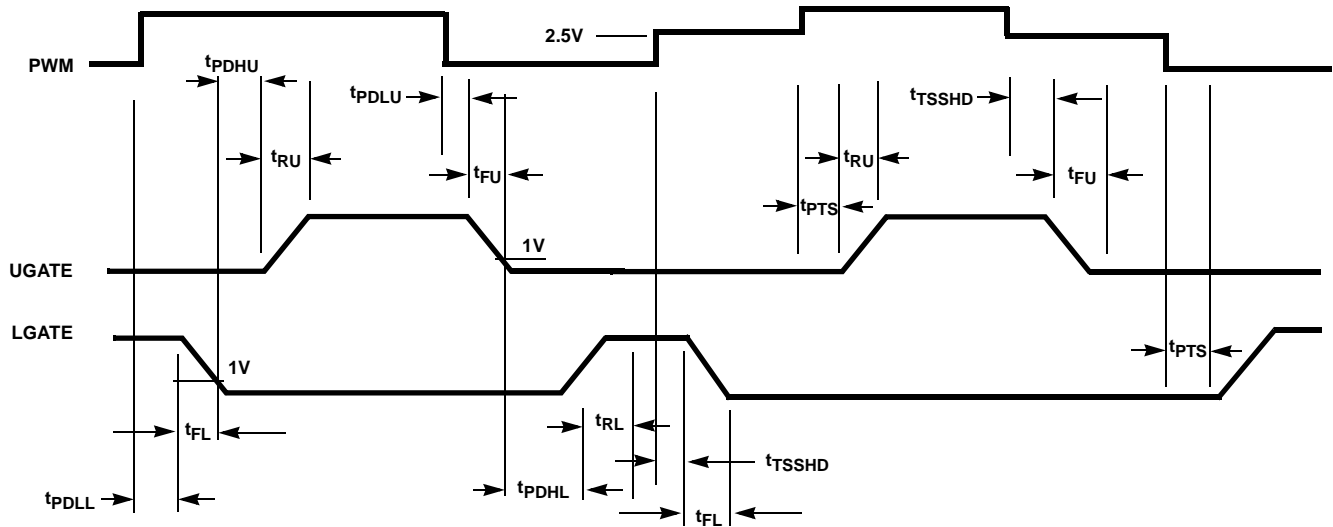
NOTE:

5. Guaranteed by characterization, not 100% tested in production.

**Typical Application with 2-Phase Converter**



## Timing Diagram



### Functional Pin Description

#### UGATE (Pin 1 for SOIC-8, Pin 8 for QFN)

The UGATE pin is the upper gate drive output. Connect to the gate of high-side power N-Channel MOSFET.

#### BOOT (Pin 2 for SOIC-8, Pin 1 for QFN)

BOOT is the floating bootstrap supply pin for the upper gate drive. Connect the bootstrap capacitor between this pin and the PHASE pin. The bootstrap capacitor provides the charge to turn on the upper MOSFET. See the Bootstrap Diode and Capacitor section under DESCRIPTION for guidance in choosing the appropriate capacitor value.

#### PWM (Pin 3 for SOIC-8, Pin 2 for QFN)

The PWM signal is the control input for the driver. The PWM signal can enter three distinct states during operation (see the three-state PWM Input section under DESCRIPTION for further details). Connect this pin to the PWM output of the controller.

#### GND (Pin 4 for SOIC-8, Pin 3 for QFN)

GND is the ground pin for the IC.

#### LGATE (Pin 5 for SOIC-8, Pin 4 for QFN)

LGATE is the lower gate drive output. Connect to gate of the low-side power N-Channel MOSFET.

#### VCC (Pin 6 for SOIC-8, Pin 5 for QFN)

Connect the VCC pin to a +5V bias supply. Place a high quality bypass capacitor from this pin to GND.

#### FCCM (Pin 7 for SOIC-8, Pin 6 for QFN)

The FCCM pin enables or disables Diode Emulation. When FCCM is LOW, diode emulation is allowed. Otherwise, continuous conduction mode is forced. See the Diode Emulation section under DESCRIPTION for more detail.

#### PHASE (Pin 8 for SOIC-8, Pin 7 for QFN)

Connect the PHASE pin to the source of the upper MOSFET and the drain of the lower MOSFET. This pin provides a return path for the upper gate driver.

### Description

#### Theory of Operation

Designed for speed, the ISL6208 dual MOSFET driver controls both high-side and low-side N-Channel FETs from one externally provided PWM signal.

A rising edge on PWM initiates the turn-off of the lower MOSFET (see Timing Diagram). After a short propagation delay [ $t_{PDLL}$ ], the lower gate begins to fall. Typical fall times [ $t_{FL}$ ] are provided in the Electrical Specifications section. Adaptive shoot-through circuitry monitors the LGATE voltage. When LGATE has fallen below 1V, UGATE is allowed to turn ON. This prevents both the lower and upper MOSFETs from conducting simultaneously, or shoot-through.

A falling transition on PWM indicates the turn-off of the upper MOSFET and the turn-on of the lower MOSFET. A short propagation delay [ $t_{PDLU}$ ] is encountered before the upper gate begins to fall [ $t_{FU}$ ]. The upper MOSFET gate-to-source voltage is monitored, and the lower gate is allowed to rise after the upper MOSFET gate-to-source voltage drops below 1V. The lower gate then rises [ $t_{RL}$ ], turning on the lower MOSFET.

This driver is optimized for converters with large step down compared to the upper MOSFET because the lower MOSFET conducts for a much longer time in a switching period. The lower gate driver is therefore sized much larger to meet this application requirement.

The 0.5 $\Omega$  on-resistance and 4A sink current capability enable the lower gate driver to absorb the current injected to the lower gate through the drain-to-gate capacitor of the lower MOSFET and prevent a shoot through caused by the high dv/dt of the phase node.

Typical Performance Waveforms

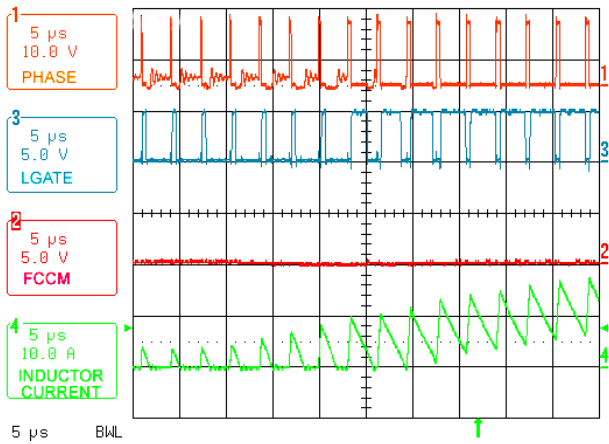


FIGURE 2. LOAD TRANSIENT (0 - 30A, 3-PHASE)

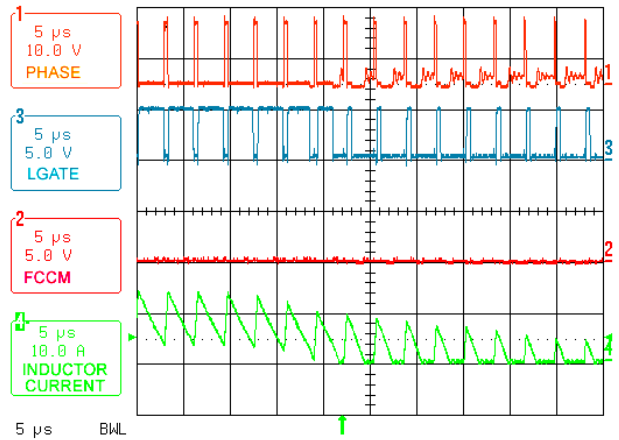


FIGURE 3. LOAD TRANSIENT (30 - 0A, 3-PHASE)

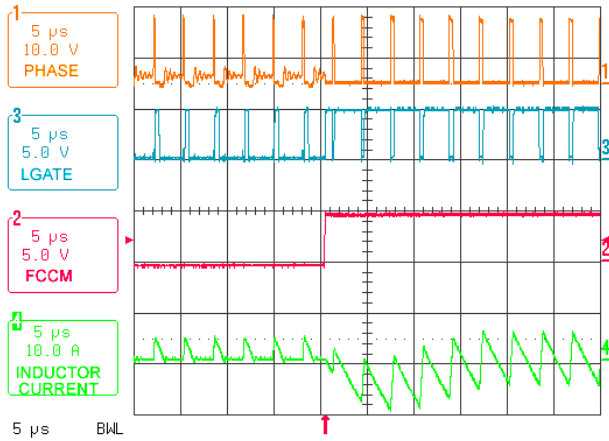


FIGURE 4. DCM TO CCM TRANSITION AT NO LOAD

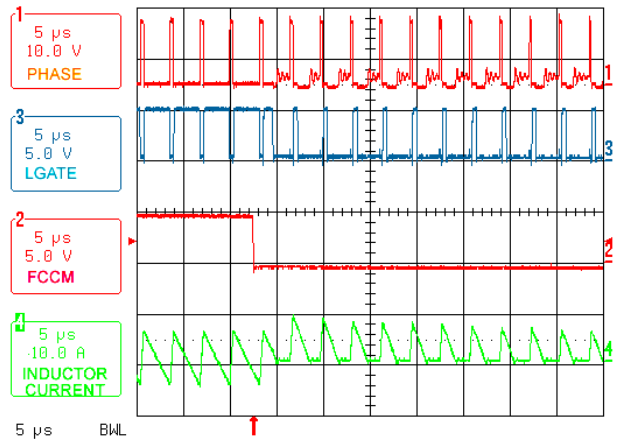


FIGURE 5. CCM TO DCM TRANSITION AT NO LOAD

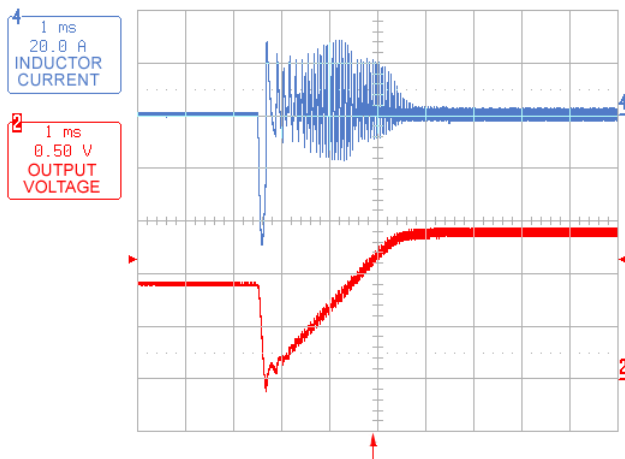


FIGURE 6. PRE-BIASED START-UP IN CCM MODE

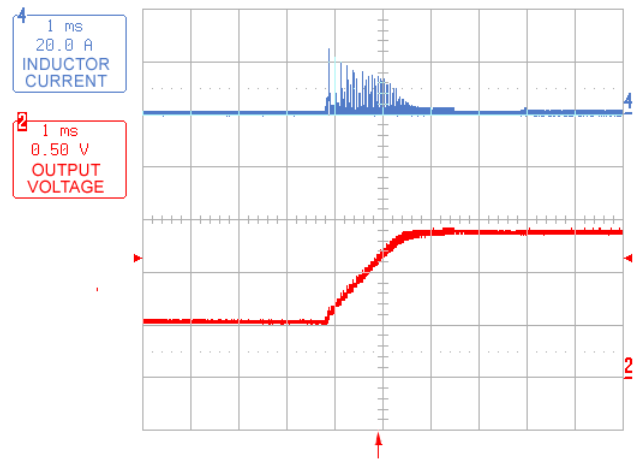


FIGURE 7. PRE-BIASED START-UP IN DCM MODE

### Diode Emulation

Diode emulation allows for higher converter efficiency under light-load situations. With diode emulation active, the ISL6208 will detect the zero current crossing of the output inductor and turn off LGATE. This ensures that discontinuous conduction mode (DCM) is achieved. Diode emulation is asynchronous to the PWM signal. Therefore, the ISL6208 will respond to the FCCM input immediately after it changes state. Refer to the waveforms on page 6.

NOTE: Intersil does not recommend Diode Emulation use with  $r_{DS(ON)}$  current sensing topologies. The turn-OFF of the low side MOSFET can cause gross current measurement inaccuracies.

### Three-State PWM Input

A unique feature of the ISL6208 and other Intersil drivers is the addition of a shutdown window to the PWM input. If the PWM signal enters and remains within the shutdown window for a set holdoff time, the output drivers are disabled and both MOSFET gates are pulled and held low. The shutdown state is removed when the PWM signal moves outside the shutdown window. Otherwise, the PWM rising and falling thresholds outlined in the ELECTRICAL SPECIFICATIONS determine when the lower and upper gates are enabled.

### Adaptive Shoot-Through Protection

Both drivers incorporate adaptive shoot-through protection to prevent upper and lower MOSFETs from conducting simultaneously and shorting the input supply. This is accomplished by ensuring the falling gate has turned off one MOSFET before the other is allowed to turn on.

During turn-off of the lower MOSFET, the LGATE voltage is monitored until it reaches a 1V threshold, at which time the UGATE is released to rise. Adaptive shoot-through circuitry monitors the upper MOSFET gate-to-source voltage during UGATE turn-off. Once the upper MOSFET gate-to-source voltage has dropped below a threshold of 1V, the LGATE is allowed to rise.

### Internal Bootstrap Diode

This driver features an internal bootstrap Schottky diode. Simply adding an external capacitor across the BOOT and PHASE pins completes the bootstrap circuit.

The bootstrap capacitor must have a maximum voltage rating above the maximum battery voltage plus 5V. The bootstrap capacitor can be chosen from the following equation:

$$C_{BOOT} \geq \frac{Q_{GATE}}{\Delta V_{BOOT}} \quad (\text{EQ. 1})$$

where  $Q_{GATE}$  is the amount of gate charge required to fully charge the gate of the upper MOSFET. The  $\Delta V_{BOOT}$  term is defined as the allowable droop in the rail of the upper drive.

As an example, suppose an upper MOSFET has a gate charge,  $Q_{GATE}$ , of 25nC at 5V and also assume the droop in the drive voltage over a PWM cycle is 200mV. One will find that a bootstrap capacitance of at least 0.125 $\mu$ F is required. The next larger standard value capacitance is 0.15 $\mu$ F. A good quality ceramic capacitor is recommended.

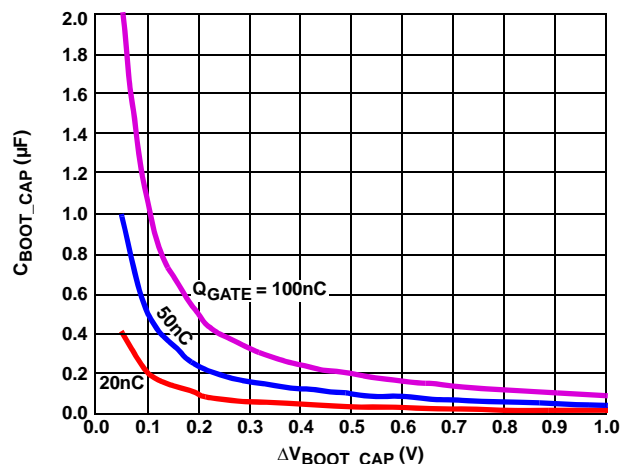


FIGURE 8. BOOTSTRAP CAPACITANCE vs BOOT RIPPLE VOLTAGE

### Power Dissipation

Package power dissipation is mainly a function of the switching frequency and total gate charge of the selected MOSFETs. Calculating the power dissipation in the driver for a desired application is critical to ensuring safe operation. Exceeding the maximum allowable power dissipation level will push the IC beyond the maximum recommended operating junction temperature of +125°C. The maximum allowable IC power dissipation for the SO-8 package is approximately 800mW. When designing the driver into an application, it is recommended that the following calculation be performed to ensure safe operation at the desired frequency for the selected MOSFETs. The power dissipated by the driver is approximated as:

$$P = f_{sw}(1.5V_U Q_U + V_L Q_L) + I_{VCC} V_{CC} \quad (\text{EQ. 2})$$

where  $f_{sw}$  is the switching frequency of the PWM signal.  $V_U$  and  $V_L$  represent the upper and lower gate rail voltage.  $Q_U$  and  $Q_L$  is the upper and lower gate charge determined by MOSFET selection and any external capacitance added to the gate pins. The  $I_{VCC} V_{CC}$  product is the quiescent power of the driver and is typically negligible.

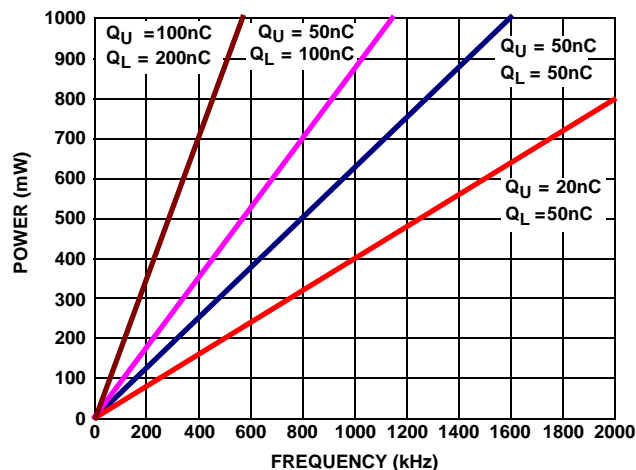


FIGURE 9. POWER DISSIPATION vs FREQUENCY



## **Layout Considerations**

### **Reducing Phase Ring**

The parasitic inductances of the PCB and power devices (both upper and lower FETs) could cause increased PHASE ringing, which may lead to voltages that exceed the absolute maximum rating of the devices. When PHASE rings below ground, the negative voltage could add charge to the bootstrap capacitor through the internal bootstrap diode. Under worst-case conditions, the added charge could overstress the BOOT and/or PHASE pins. To prevent this from happening, the user should perform a careful layout inspection to reduce trace inductances, and select low lead inductance MOSFETs and drivers. D<sup>2</sup>PAK and DPAK packaged MOSFETs have high parasitic lead inductances, as opposed to SOIC-8. If higher inductance MOSFETs must be used, a Schottky diode is recommended across the lower MOSFET to clamp negative PHASE ring.

A good layout would help reduce the ringing on the phase and gate nodes significantly:

- Avoid using vias for decoupling components where possible, especially in the BOOT-to-PHASE path. Little or no use of vias for VCC and GND is also recommended. Decoupling loops should be short.
- All power traces (UGATE, PHASE, LGATE, GND, VCC) should be short and wide, and avoid using vias. If vias must be used, two or more vias per layer transition is recommended.
- Keep the SOURCE of the upper FET as close as thermally possible to the DRAIN of the lower FET.
- Keep the connection in between the SOURCE of lower FET and power ground wide and short.
- Input capacitors should be placed as close to the DRAIN of the upper FET and the SOURCE of the lower FET as thermally possible.

Note: Refer to Intersil Tech Brief TB447 for more information.

### **Thermal Management**

For maximum thermal performance in high current, high switching frequency applications, connecting the thermal pad of the QFN part to the power ground with multiple vias, or placing a low noise copper plane underneath the SOIC part is recommended. This heat spreading allows the part to achieve its full thermal potential.

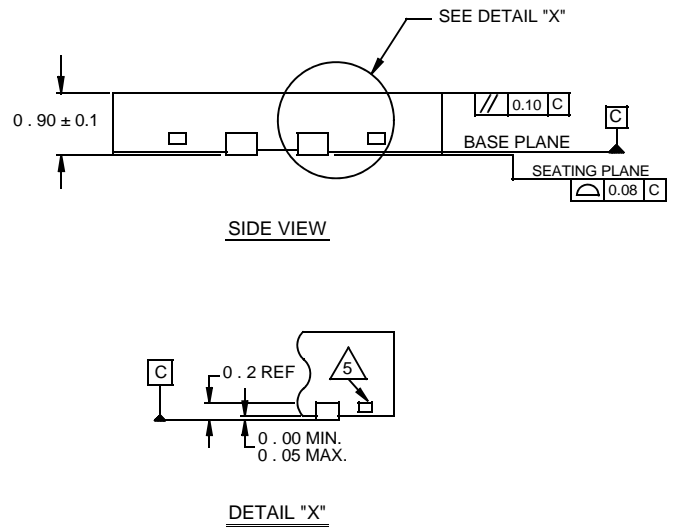
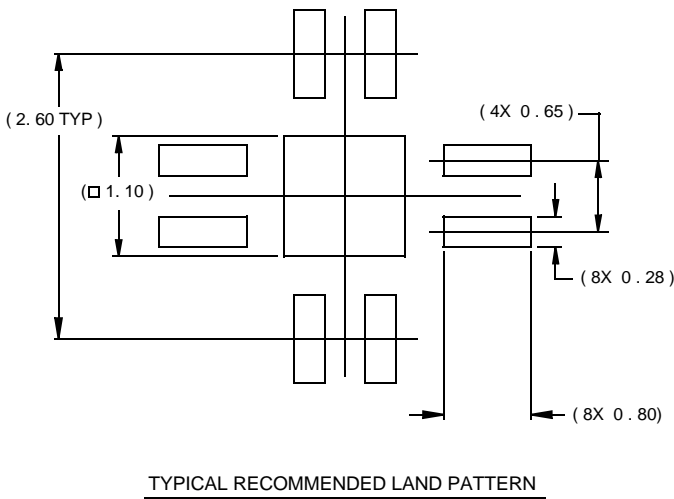
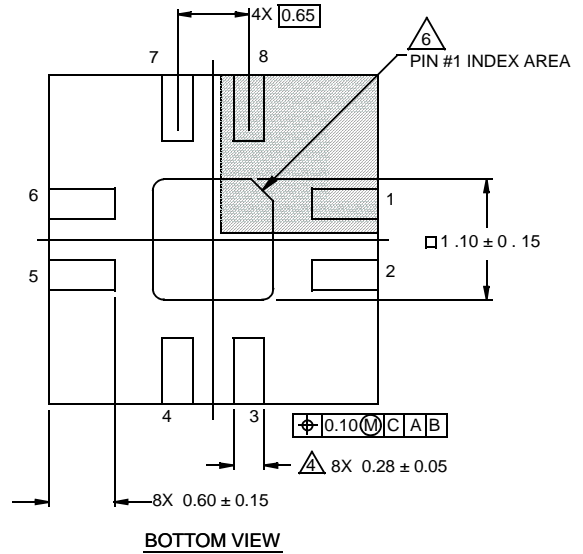
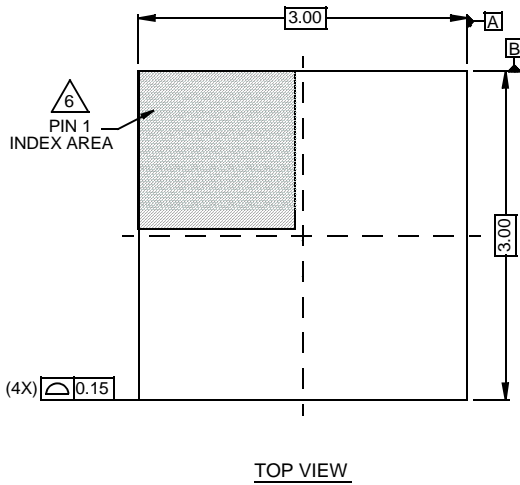


# Package Outline Drawing

## L8.3x3

8 LEAD QUAD FLAT NO-LEAD PLASTIC PACKAGE

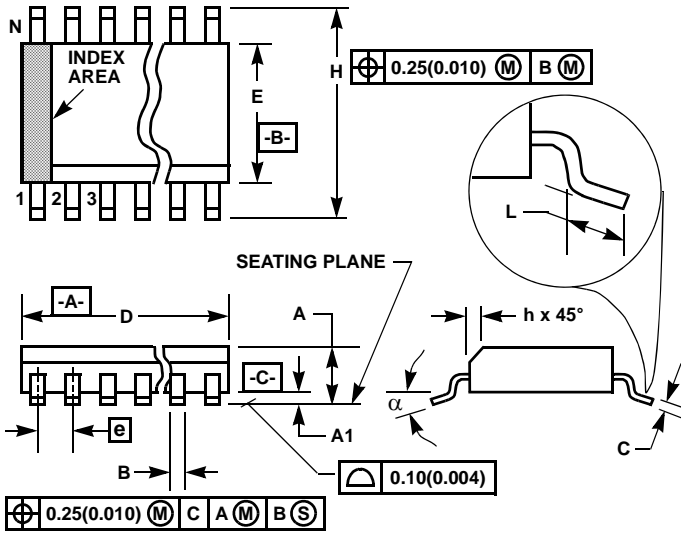
Rev 2, 3/07



NOTES:

1. Dimensions are in millimeters.  
Dimensions in ( ) for Reference Only.
2. Dimensioning and tolerancing conform to AMSE Y14.5m-1994.
3. Unless otherwise specified, tolerance : Decimal  $\pm 0.05$
4. Dimension b applies to the metallized terminal and is measured between 0.15mm and 0.30mm from the terminal tip.
5. Tiebar shown (if present) is a non-functional feature.
6. The configuration of the pin #1 identifier is optional, but must be located within the zone indicated. The pin #1 identifier may be either a mold or mark feature.

**Small Outline Plastic Packages (SOIC)**



**M8.15 (JEDEC MS-012-AA ISSUE C)  
8 LEAD NARROW BODY SMALL OUTLINE PLASTIC PACKAGE**

| SYMBOL   | INCHES    |        | MILLIMETERS |      | NOTES |
|----------|-----------|--------|-------------|------|-------|
|          | MIN       | MAX    | MIN         | MAX  |       |
| A        | 0.0532    | 0.0688 | 1.35        | 1.75 | -     |
| A1       | 0.0040    | 0.0098 | 0.10        | 0.25 | -     |
| B        | 0.013     | 0.020  | 0.33        | 0.51 | 9     |
| C        | 0.0075    | 0.0098 | 0.19        | 0.25 | -     |
| D        | 0.1890    | 0.1968 | 4.80        | 5.00 | 3     |
| E        | 0.1497    | 0.1574 | 3.80        | 4.00 | 4     |
| e        | 0.050 BSC |        | 1.27 BSC    |      | -     |
| H        | 0.2284    | 0.2440 | 5.80        | 6.20 | -     |
| h        | 0.0099    | 0.0196 | 0.25        | 0.50 | 5     |
| L        | 0.016     | 0.050  | 0.40        | 1.27 | 6     |
| N        | 8         |        | 8           |      | 7     |
| $\alpha$ | 0°        | 8°     | 0°          | 8°   | -     |

**NOTES:**

1. Symbols are defined in the "MO Series Symbol List" in Section 2.2 of Publication Number 95.
2. Dimensioning and tolerancing per ANSI Y14.5M-1982.
3. Dimension "D" does not include mold flash, protrusions or gate burrs. Mold flash, protrusion and gate burrs shall not exceed 0.15mm (0.006 inch) per side.
4. Dimension "E" does not include interlead flash or protrusions. Interlead flash and protrusions shall not exceed 0.25mm (0.010 inch) per side.
5. The chamfer on the body is optional. If it is not present, a visual index feature must be located within the crosshatched area.
6. "L" is the length of terminal for soldering to a substrate.
7. "N" is the number of terminal positions.
8. Terminal numbers are shown for reference only.
9. The lead width "B", as measured 0.36mm (0.014 inch) or greater above the seating plane, shall not exceed a maximum value of 0.61mm (0.024 inch).
10. Controlling dimension: MILLIMETER. Converted inch dimensions are not necessarily exact.

Rev. 1 6/05

All Intersil U.S. products are manufactured, assembled and tested utilizing ISO9000 quality systems. Intersil Corporation's quality certifications can be viewed at [www.intersil.com/design/quality](http://www.intersil.com/design/quality)

*Intersil products are sold by description only. Intersil Corporation reserves the right to make changes in circuit design, software and/or specifications at any time without notice. Accordingly, the reader is cautioned to verify that data sheets are current before placing orders. Information furnished by Intersil is believed to be accurate and reliable. However, no responsibility is assumed by Intersil or its subsidiaries for its use; nor for any infringements of patents or other rights of third parties which may result from its use. No license is granted by implication or otherwise under any patent or patent rights of Intersil or its subsidiaries.*

For information regarding Intersil Corporation and its products, see [www.intersil.com](http://www.intersil.com)