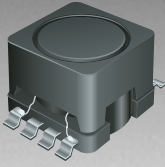


*RoHS COMPLIANT



BOURNS®

Features

- Available in E6 series
- High inductance up to 10 mH
- Low 6.0 mm profile
- Gull wing leads
- RoHS compliant*

Applications

- Input/output of DC/DC converters
- Power supplies for:
 - Portable communication equipment
 - Camcorders
 - LCD TVs
 - Car radios

SRR0906 Series - SMD Shielded Power Inductors

Electrical Specifications

Bourns Part No.	Inductance 1kHz		Q Ref.	Test Frequency (MHz)	SRF Min. (MHz)	RDC (Ω)	I rms Max. (A)	I sat Typ. (A)
	(μH)	Tol. %						
SRR0906-2R7ML	2.7	± 20	23	7.96M	85.0	0.032	3.20	5.80
SRR0906-3R5ML	3.5	± 20	23	7.96M	80.0	0.036	2.90	5.20
SRR0906-4R7ML	4.7	± 20	23	7.96M	40.0	0.040	2.70	4.30
SRR0906-5R6ML	5.6	± 20	23	7.96M	57.0	0.046	2.50	4.20
SRR0906-6R8ML	6.8	± 20	23	7.96M	38.0	0.050	2.30	3.40
SRR0906-8R2ML	8.2	± 20	23	7.96M	30.0	0.055	2.10	3.20
SRR0906-100ML	10	± 20	35	2.52M	29.0	0.080	1.80	2.70
SRR0906-120ML	12	± 20	35	2.52M	26.0	0.085	1.70	2.60
SRR0906-150ML	15	± 20	35	2.52M	23.0	0.100	1.60	2.40
SRR0906-180ML	18	± 20	35	2.52M	22.0	0.110	1.50	2.00
SRR0906-220ML	22	± 20	35	2.52M	19.0	0.130	1.40	1.90
SRR0906-270ML	27	± 20	35	2.52M	17.0	0.140	1.30	1.80
SRR0906-330ML	33	± 20	35	2.52M	15.0	0.150	1.20	1.60
SRR0906-390ML	39	± 20	35	2.52M	14.0	0.160	1.10	1.40
SRR0906-470ML	47	± 20	35	2.52M	12.0	0.180	1.00	1.30
SRR0906-560ML	56	± 20	35	2.52M	12.0	0.300	0.93	1.20
SRR0906-680ML	68	± 20	40	2.52M	9.0	0.350	0.85	1.00
SRR0906-820ML	82	± 20	40	2.52M	8.0	0.370	0.78	0.90
SRR0906-101YL	100	±15	40	0.796M	7.5	0.420	0.70	0.90
SRR0906-121YL	120	±15	40	0.796M	7.0	0.480	0.65	0.75
SRR0906-151YL	150	±15	40	0.796M	6.0	0.550	0.60	0.70
SRR0906-181YL	180	±15	40	0.796M	5.5	0.820	0.52	0.70
SRR0906-221YL	220	±15	40	0.796M	5.0	1.000	0.48	0.60
SRR0906-271YL	270	±15	40	0.796M	5.0	1.100	0.44	0.55
SRR0906-331YL	330	±15	40	0.796M	4.5	1.300	0.40	0.51
SRR0906-391YL	390	±15	40	0.796M	4.2	1.400	0.38	0.50
SRR0906-471YL	470	±15	40	0.796M	4.0	1.600	0.35	0.40
SRR0906-561YL	560	±15	60	0.796M	3.2	2.700	0.28	0.35
SRR0906-681YL	680	±15	60	0.796M	2.7	3.200	0.25	0.33
SRR0906-821YL	820	±15	85	0.796M	2.6	3.500	0.23	0.30
SRR0906-102YL	1000	±15	100	0.252M	2.3	4.000	0.22	0.26
SRR0906-122YL	1200	±15	100	0.252M	2.3	4.400	0.20	0.24
SRR0906-152YL	1500	±15	100	0.252M	2.0	5.200	0.18	0.22
SRR0906-182YL	1800	±15	100	0.252M	1.7	7.000	0.17	0.20
SRR0906-222YL	2200	±15	100	0.252M	1.5	8.500	0.16	0.18
SRR0906-272YL	2700	±15	100	0.252M	1.4	9.200	0.14	0.17
SRR0906-332YL	3300	±15	100	0.252M	1.3	11.000	0.12	0.15
SRR0906-392YL	3900	±15	100	0.252M	1.2	16.000	0.11	0.13
SRR0906-472YL	4700	±15	100	0.252M	1.0	19.000	0.10	0.11
SRR0906-562YL	5600	±15	100	0.252M	0.9	21.000	0.09	0.11
SRR0906-682YL	6800	±15	100	0.252M	0.9	24.000	0.09	0.10
SRR0906-822YL	8200	±15	100	0.252M	0.8	31.000	0.08	0.09
SRR0906-103YL	10000	±15	100	0.0796M	0.7	38.000	0.07	0.08

Multiple windings possible (up to four windings).

Electrical Schematic



DIMENSIONS: $\frac{\text{MM}}{\text{(INCHES)}}$

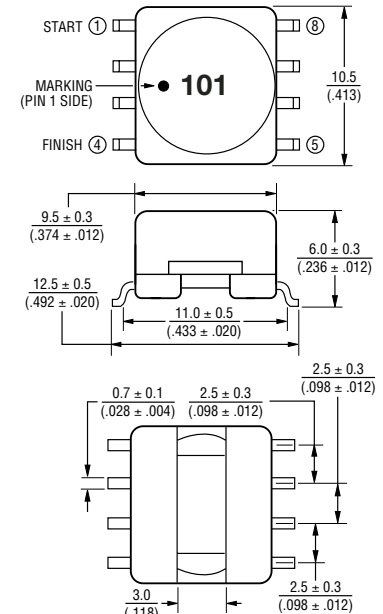
General Specifications

Test Voltage.....1 V
 Reflow Soldering ...230 °C, 50 sec. max.
 Operating Temperature ..-40 °C to +125 °C
 (Temperature rise included)
 Storage Temperature...-40 °C to +125 °C
 Resistance to Soldering Heat
260 °C for 5 sec.

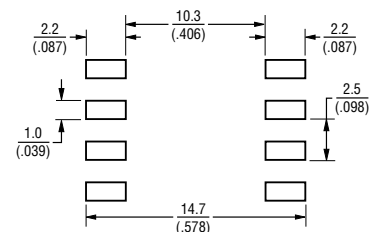
Materials

Core.....Ferrite DR and RI core
 Wire.....Enamelled copper
 Base.....LCP
 TerminalCu/Ni/Sn
 AdhesiveEpoxy resin
 Rated Current Ind. drop 10 % typ. at Isat
 Temperature Rise
40 °C max. at rated I rms
 Packaging.....600 pcs. per reel

Product Dimensions



Recommended Layout

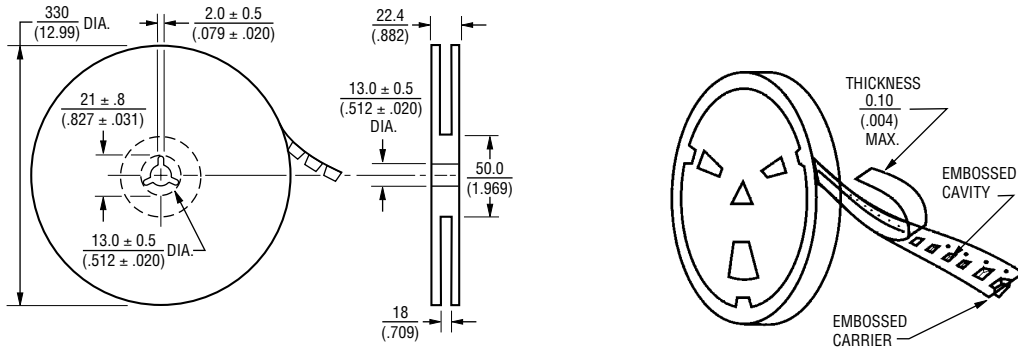


*RoHS Directive 2002/95/EC Jan 27 2003 including Annex
 Specifications are subject to change without notice.
 Customers should verify actual device performance in their specific applications.

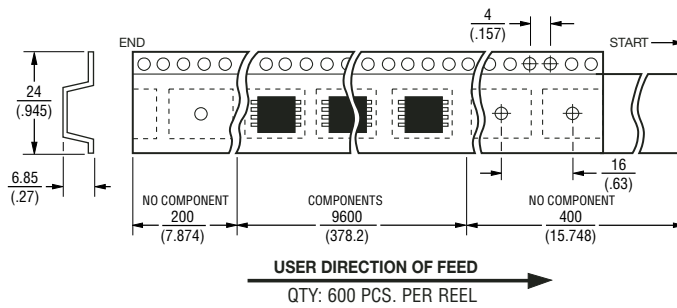
SRR0906 Series - Shielded Power Inductors

BOURNS®

Packaging Specifications



DIMENSIONS: $\frac{\text{MM}}{\text{(INCHES)}}$



REV. 05/05

Specifications are subject to change without notice.
Customers should verify actual device performance in their specific applications.