

NOTES:

1.0 PINS WITHOUT ELECTRICAL CONNECTION ARE OMITTED.

ELECTRICAL SPECIFICATIONS:

- |   |   |  |
|---|---|--|
| 1.0   | URNS RATIO: (P6-P5-P4) : (J6-J3)<br>(P3-P2-P1) : (J2-J1)                                    | : 1CT : 1CT ± 3%<br>: 1CT : 1CT ± 3%   |
| 2.0   | INDUCTANCE: (P6-P4)<br>(P3-P1)  | : 350uH MIN. @ 0.1V, 100KHz, 8mA DC Bias<br>: 350uH MIN. @ 0.1V, 100KHz, 8mA DC Bias |
| 3.0   | LEAKAGE INDUCTANCE: P6-P4 (WITH J6 AND J3 SHORT)<br>P3-P1 (WITH J2 AND J1 SHORT)            | : 0.3 MAX. @ 1MHz<br>: 0.3 MAX. @ 1MHz   |
| 4.0   | INTERWINDING CAPACITANCE: (P6,P5,P4) TO (J6,J3)<br>(P3,P2,P1) TO (J2,J1)                    | : 30pf MAX @ 1MHz<br>: 30pf MAX @ 1MHz   |
| 5.0   | DC RESISTANCE: (J6-J3)=(J2-J1)  | : 1.2 ohms Max.  |
| 6.0   | RETURN LOSS: (P6-P4)=100 OHMS AND (P1-P3)=100 OHM REF.<br>1MHz TO 30MHz<br>60MHz TO 80MHz   | : 18dB MIN.<br>: 12dB MIN.   |
| NOTE: 100 OHMS CONNECTED TO (J2-J1) OR (J6-J3). |   |  |
| 7.0   | DIELECTRIC WITHSTAND: (J1, J2) TO (P1, P3)<br>(J3, J6) TO (P4,P6)                           | : 1500 VAC<br>: 1500 VAC   |
| 8.0   | INSERTION LOSS: RS=RL=100 ohms<br>100KHz TO 100MHz  | : 1.1 dB TYP   |
| 9.0   | RISE TIME: RS=100 OHMS AND RL = 100 OHMS<br>OUTPUT VOLTAGE = 1 V peak<br>PULSE WIDTH= 112nS | : 3.0 nS MAX<br>: 3.0 nS MAX   |
| 10.0  | CROSS TALK: 1MHz TO 100MHz  | : 40 dB TYP  |
| 11.0  | COMMON TO COMMON MODE ATTENUATION: 30MHz TO 100MHz  | : 35dB TYP   |

Bel Stewart Connector  
11118 Susquehanna Trail, South  
Glen Rock, Pa 17327-9199  
717.234.7512

**MagJack**

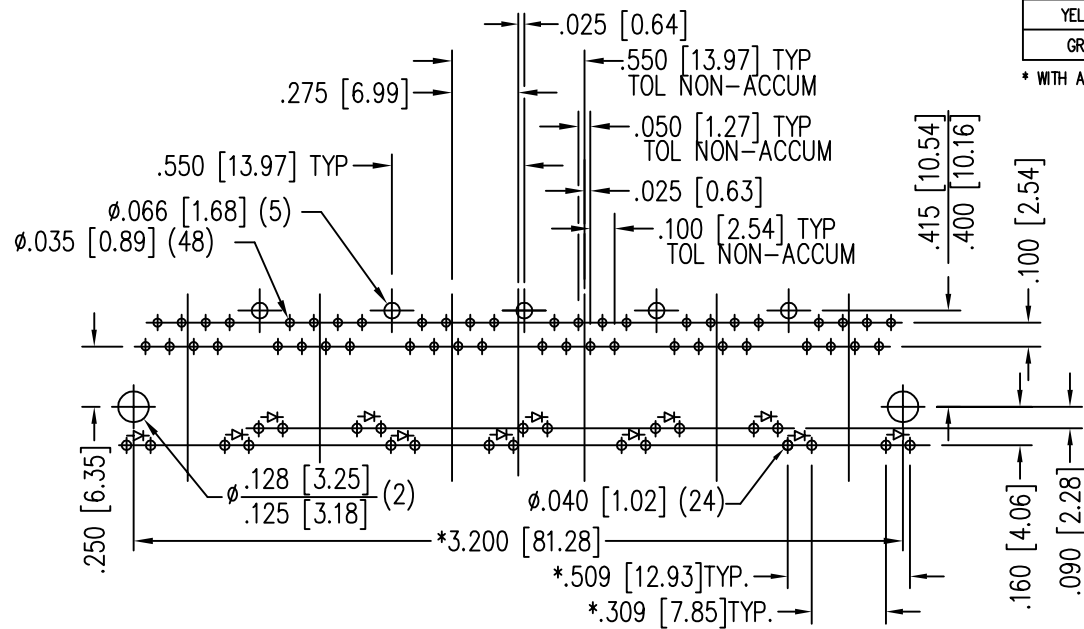
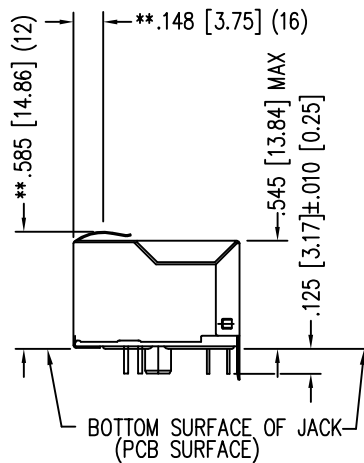
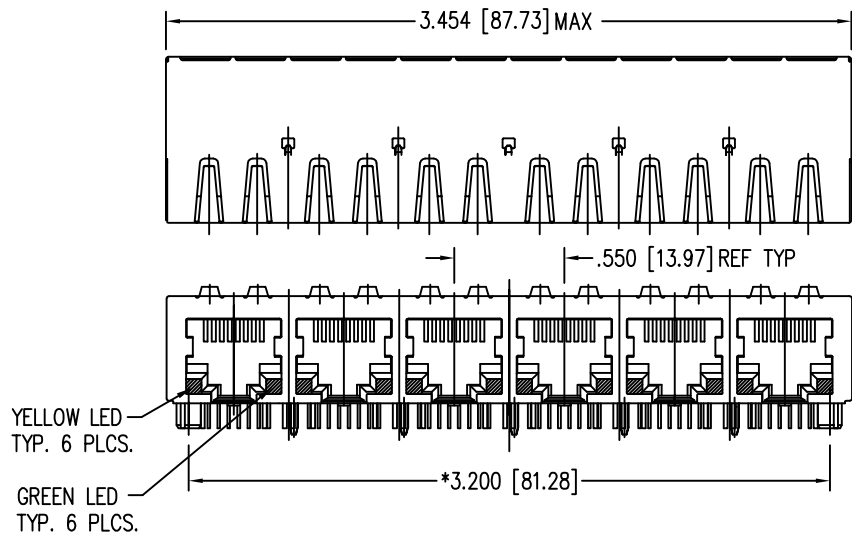
<http://www.stewartconnector.com>

THIS DRAWING AND THE SUBJECT MATTER SHOWN THEREON ARE CONFIDENTIAL AND PROPERTY OF BEL STEWART CONNECTOR AND SHALL NOT BE REPRODUCED, COPIED, OR USED IN ANY MANNER WITHOUT PRIOR WRITTEN CONTENT OF BEL STEWART CONNECTOR. THE SUBJECT MATTER MAY BE PATENTED OR A PATENT MAY BE PENDING.

SHEET  
1 OF 3

DRAWING NO.

SI-40257 REV. 01

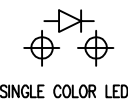


P.C.B. RECOMMENDED HOLE LAYOUT  
 SEEN FROM COMPONENT SIDE  
 TOLERANCE ±.003 [0.08] UNLESS OTHERWISE SPECIFIED

LED SPECIFICATIONS						
STANDARD LED	* FORWARD VOLTAGE (MAX)	* FORWARD VOLTAGE (TYP)	POWER DISSIPATION	WAVELENGTH	LUMINOUS INTENSITY @ 10mA	
					MIN	MAX
YELLOW DIFFUSED	2.5 V	2.1 V	105 mW	590 nm	2 MCD	8 MCD
GREEN DIFFUSED	2.6 V	2.25 V	105 mW	555 nm	2 MCD	8 MCD

\* WITH A FORWARD CURRENT OF 20 mA

LED POLARITY  
 (ENLARGED VIEW)



NOTES:

- FOR LED DATA AND FOOTPRINT SEE SHEET 3 OF 3
- TOLERANCES COMPLY WITH F.C.C. DIMENSION REQUIREMENTS
- DIMENSIONS SHOWN WITH "\*" TO BE CENTRAL ABOUT CENTER LINE
- "\*\*\*" ON DIMENSION INDICATES HIGHEST POINT OF BEAM
- DIMENSIONS SHOWN ARE SUBJECT TO CHANGE WITHOUT NOTICE  
CONSULT FACTORY BEFORE ORDERING

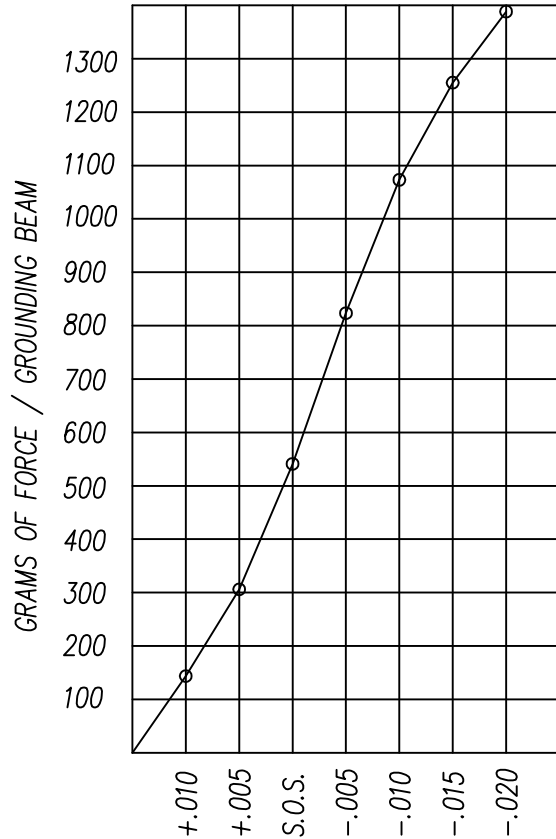
AVAILABLE WITH:

- 30 & 50 MICRO-INCH SELECTIVE GOLD PLATING
- LOADED 1 - 8 CONTACTS

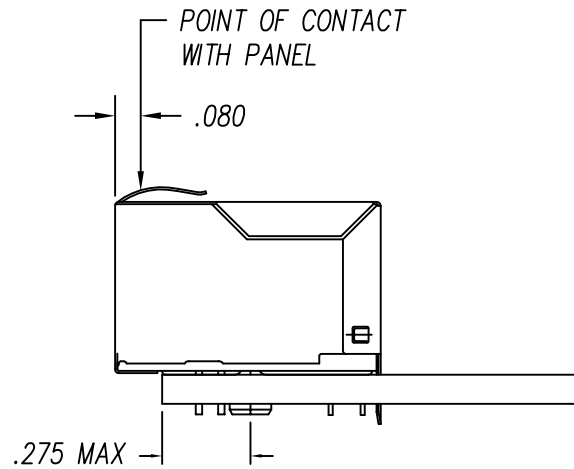
Bel Stewart Connector  
 11118 Susquehanna Trail, South  
 Glen Rock, Pa 17327-9199  
 717.234.7512

**MagJack**<sup>®</sup>  
<http://www.stewartconnector.com>

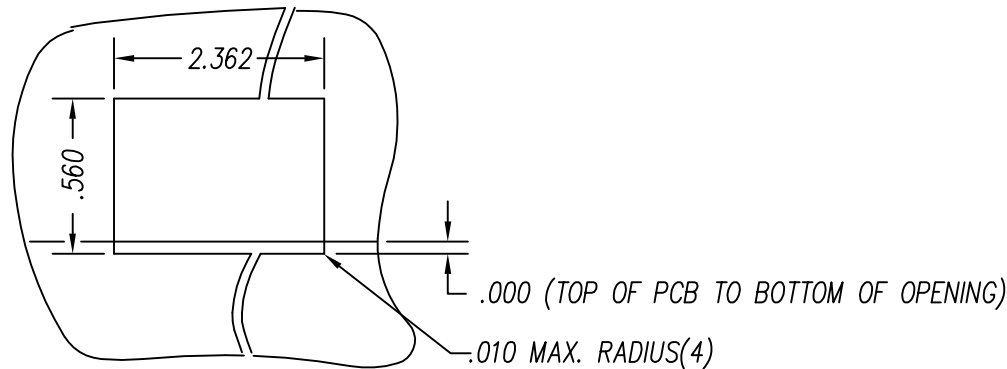
THIS DRAWING AND THE SUBJECT MATTER SHOWN THEREON ARE CONFIDENTIAL AND PROPERTY OF BEL STEWART CONNECTOR AND SHALL NOT BE REPRODUCED, COPIED, OR USED IN ANY MANNER WITHOUT PRIOR WRITTEN CONTENT OF BEL STEWART CONNECTOR. THE SUBJECT MATTER MAY BE PATENTED OR A PATENT MAY BE PENDING.



PANEL GROUNDING BEAM DEFLECTION  
S.O.S. = SUGGESTED OPENING SIZE



THE SUGGESTED PANEL OPENING IS INTENDED TO GIVE THE USER THE ABILITY TO HAVE REASONABLE JACK / PANEL CLEARANCES YET MAINTAIN RELIABLE GROUNDING CAPABILITY. THESE VARIABLES CAN BE ADJUSTED IN EITHER DIRECTION BUT MAY CARRY SOME CONSEQUENCES IN THE FORM OF LOWER MATING FORCES OR TIGHTER ASSEMBLY TOLERANCES. FORCE VALUES ON THE GRAPH ARE GENERAL AVERAGES TAKEN AT THE POINT OF CONTACT SHOWN ABOVE. THE SUGGESTED PANEL OPENING INCLUDES APPROXIMATELY .020 CLEARANCE ON THE SIDES AND TOP AND .005 ON THE BOTTOM.



SUGGESTED PANEL OPENING

CT720035X1/24-001701

Bel Stewart Connector  
11118 Susquehanna Trail, South  
Glen Rock, Pa 17327-9199  
717.234.7512

**MagJack**

<http://www.stewartconnector.com>

THIS DRAWING AND THE SUBJECT MATTER SHOWN THEREON ARE CONFIDENTIAL AND PROPERTY OF BEL STEWART CONNECTOR AND SHALL NOT BE REPRODUCED, COPIED, OR USED IN ANY MANNER WITHOUT PRIOR WRITTEN CONTENT OF BEL STEWART CONNECTOR. THE SUBJECT MATTER MAY BE PATENTED OR A PATENT MAY BE PENDING.

SHEET  
3 OF 3

DRAWING NO. SI-40257 REV. 01