

Features

- T3001 Equivalent
- Small size of 7.7 mm
- Operating temperature -40 °C to +85 °C
- Lead free version available (see How to Order)
- Lead free versions are RoHS compliant*

Applications

- Telecom

PT75426 - T3/DS3/E3/STS-1 Transformer

Electrical Specifications @ 25 °C

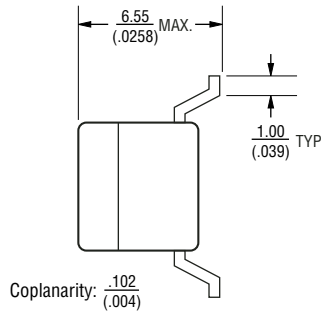
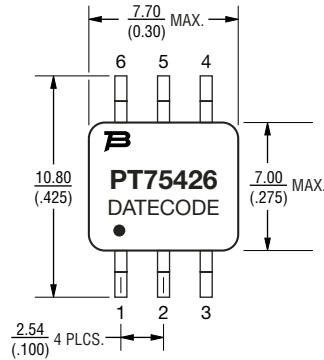
Turns Ratio $\pm 2\%$
 (1-3):(6-4)1:1
 OCL (1-3) @ 10 kHz, 0.1 Vrms
100 μ H min.
 OCL (1-3) @ 40 °C @ 10 kHz, 0.1 Vrms
40 μ H min.
 Leakage Inductance (1-3)
 @ 100 KHz, 0.01 Vrms, short (6-4)
0.11 μ H max.
 C_{ww} (Pri. to Sec. Windings)
 @ 100 kHz, 0.1 Vrms10 pF max.
 3 dB Bandwidth (1-3):(6-4)
 @ 75 Ω impedance
0.2 to 340 MHz typ.
 HIPOT (Pri. to Sec. Windings) (VAC)
1500

Packaging Specifications

Tape & Reel*800 pcs./reel

*"E" suffix at end of part number designates tape & reel packaging, e.g. PT75426E.

Product Dimensions

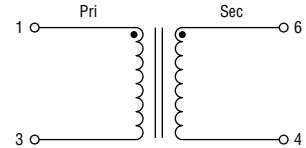


DIMENSIONS ARE: $\frac{\text{MM}}{\text{(INCHES)}}$

TOLERANCE: $\pm \frac{0.25}{(.010)}$

NOTE: DIMENSIONS ARE EXCLUSIVE OF SOLDER

Electrical Schematic



How to Order

PT75426E

Model _____

Termination _____
 Blank = Tin-lead
 L = Tin only (lead free)