

MODEL HM13 SERIES

High Inductance High Frequency Toroidal Inductors



FEATURES

- High performance, low loss powder iron cores for excellent energy storage characteristics at 300 kHz and high ET
- Cost effective design
- Industry standard header
- Custom designs available

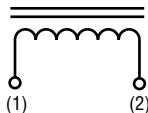
APPLICATIONS

- Switching power supply
- Motor control circuit
- Differential EMI Filter
- Output ripple current filter

ELECTRICAL / ENVIRONMENTAL

Insulation Resistance, Minimum	100 Megohms
Operating Temperature Range	-25°C to +105°C
Insulation System	Class B, 130°C

SCHEMATIC (FIGURE 1 & 2)



Specifications subject to change without notice.

FIGURE 1 (Inch/mm)

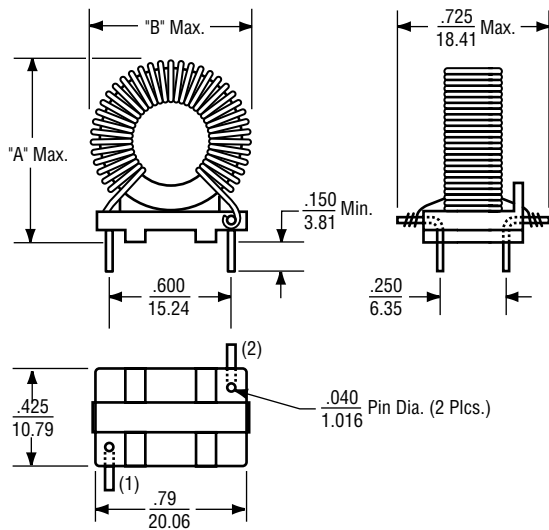
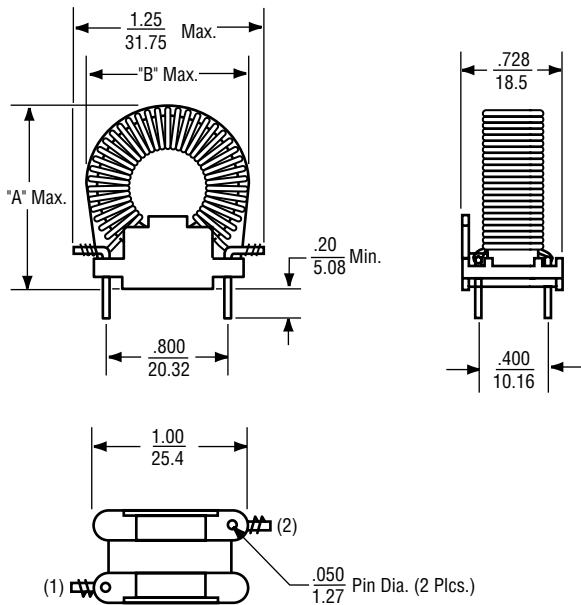


FIGURE 2 (Inch/mm)



SPECIFICATIONS

Part Number	Inductance Typical μ H	Current I _{DC} Amps Max.	DC Resistance Ω Max.	ET _{op} V- μ Sec	Energy Storage μ J Min.	Figure	Mechanical Outline Dimensions: Inch/mm	
							A	B
HM13-05001	500	0.6	0.4	150	90	1	$\frac{1.15}{29.21}$	$\frac{0.95}{24.13}$
HM13-10001	1,000	0.35	1.0	200	60	1	$\frac{1.15}{29.21}$	$\frac{0.95}{24.13}$
HM13-20001	2,000	0.25	1.4	300	60	1	$\frac{1.15}{29.21}$	$\frac{0.95}{24.13}$
HM13-05002	500	1.75	0.35	400	765	2	$\frac{1.40}{35.56}$	$\frac{1.25}{30.48}$
HM13-10002	1,000	1.0	0.75	500	500	2	$\frac{1.40}{35.56}$	$\frac{1.25}{30.48}$
HM13-20002	2,000	0.65	1.7	700	470	2	$\frac{1.40}{35.56}$	$\frac{1.25}{30.48}$
HM13-05003	500	2.75	0.25	750	1,890	2	$\frac{1.70}{43.18}$	$\frac{1.49}{36.83}$
HM13-10003	1,000	2.0	0.55	900	2,000	2	$\frac{1.70}{43.18}$	$\frac{1.49}{36.83}$
HM13-20003	2,000	1.5	0.8	1,200	2,250	2	$\frac{1.70}{43.18}$	$\frac{1.49}{36.83}$