

# Token Ring Transformer Module

## EPT7071S

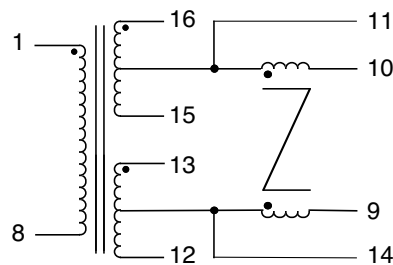


- Optimized for Texas Instrument's TMS38054 •
- Supports both UTP and STP Transmission •
- Robust Construction allows for severe soldering processes •
  - Isolation : 1500 Vrms •
- Complies with or exceeds IEEE 802.5 Requirements •

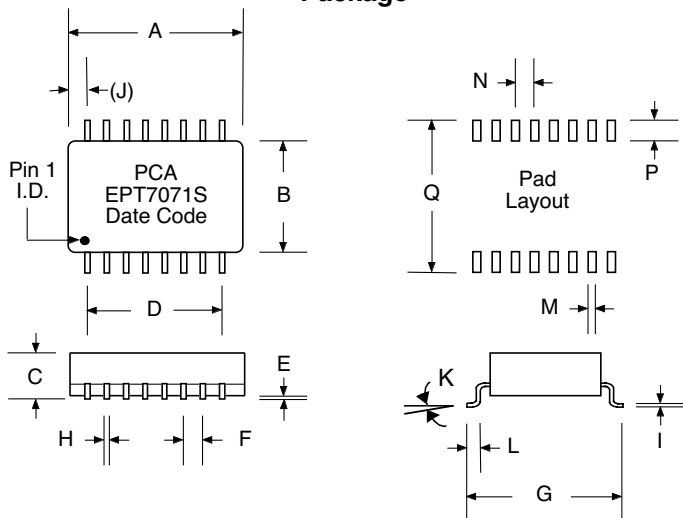
### Electrical Parameters @ 25° C

Primary OCL ( $\mu$ H Min.)	Leakage Inductance ( $\mu$ H Max.)	Impedance ( $\Omega$ )	Insertion Loss (dB Max.)	Return Loss (dB Min.)			Common Mode Rejection (dB Min.)			DCR ( $\Omega$ Max.)		
				@ 1-16 MHz	@ 17-24 MHz	@ 1-100 MHz	@ 200 MHz	@ 300 MHz	Pri.	Sec.	CMC	
@ 10 KHz, 0.1 Vrms	@ 10 MHz, 0.1 Vrms		@ 1-16 MHz	@ 1-16 MHz	@ 17-24 MHz	@ 1-100 MHz	@ 200 MHz	@ 300 MHz	Pri.	Sec.	CMC	
590	0.7	150:150/100	-1	-20	-20	-25	-15	-10	.700	.500	.450	

### Schematic



### Package



### Dimensions

Dim.	(Inches)			(Millimeters)		
	Min.	Max.	Nom.	Min.	Max.	Nom.
A	.440	.460	.450	11.18	11.68	11.43
B	.240	.260	.250	6.09	6.60	6.35
C	.215	.235	.225	5.46	5.97	5.72
D	---	---	.350	---	---	8.89
E	.005	.015	.010	0.127	.381	.254
F	---	---	.050	---	---	1.27
G	.355	.375	.365	9.02	9.53	9.27
H	.016	.020	.018	.406	.508	.457
I	.008	.012	.010	.203	.305	.254
(J)	---	---	.050	---	---	1.27
K	0°	8°	---	0°	8°	---
L	.025	.045	.035	.635	1.14	.889
M	---	---	.030	---	---	.762
N	---	---	.050	---	---	1.27
P	---	---	.090	---	---	2.29
Q	---	---	.420	---	---	10.67